

Please contact our distributor:



+7 (499) 647-80-74  
zakaz@citi-el.ru  
www.citi-el.ru



+7 (499) 647-80-74  
zakaz@citi-el.ru  
www.citi-el.ru

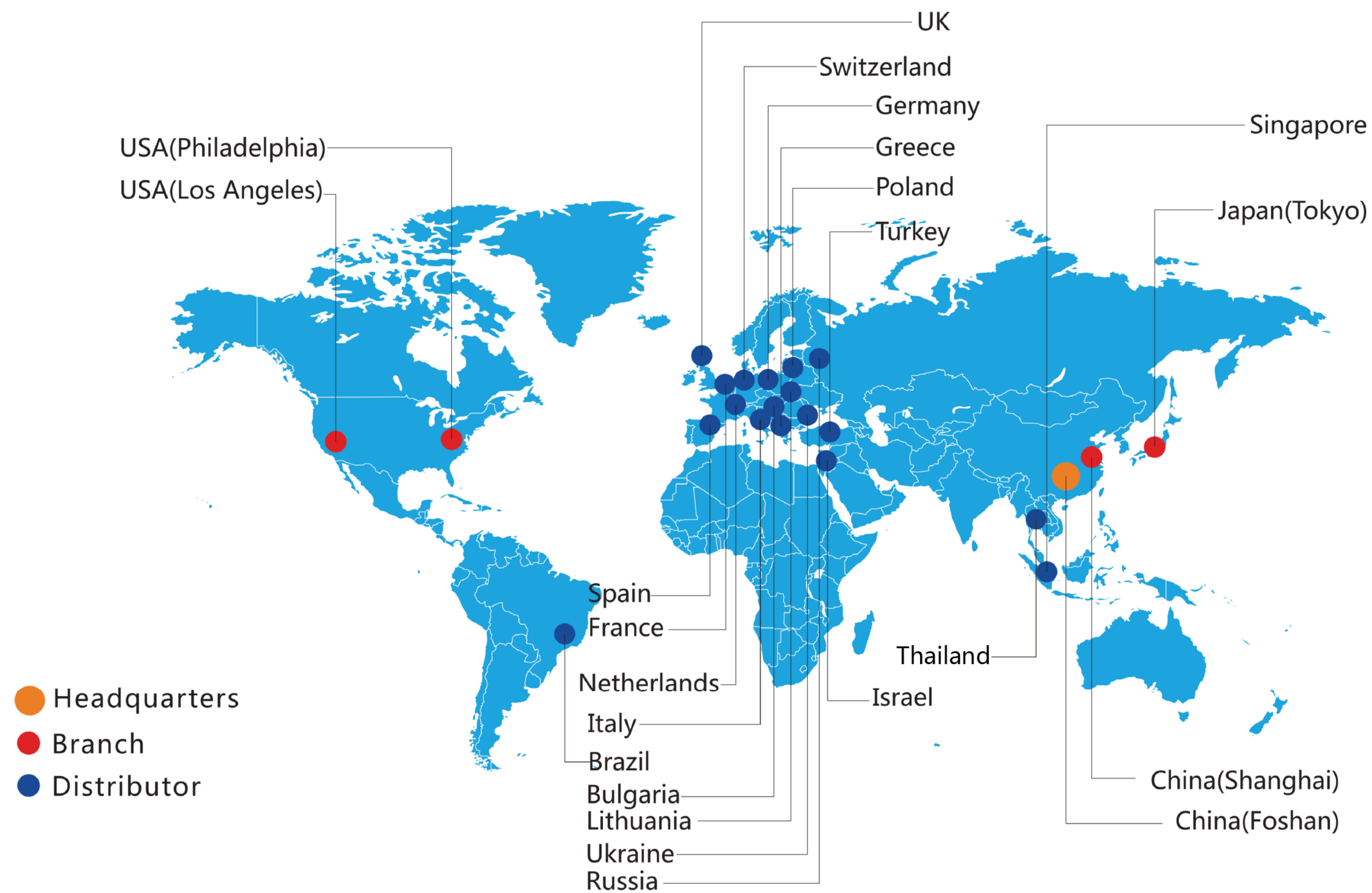


# Indoor LED Driver Catalogue 2023 **Mar.**

LED Driver | Intelligent System Solution



EAGLERISE ELECTRIC & ELECTRONIC (CHINA) CO., LTD.



# ABOUT EAGLERISE

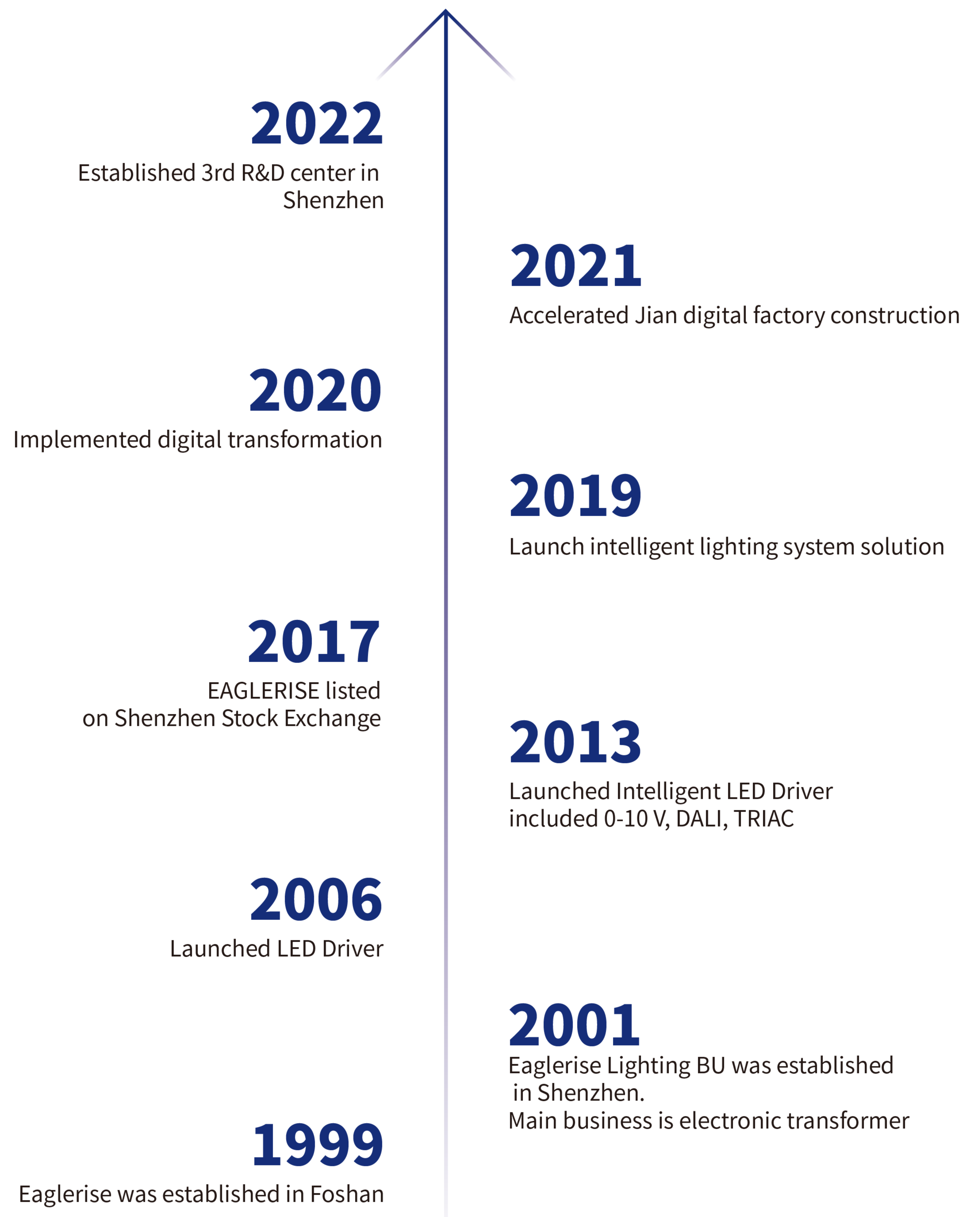
## Company Profile

Eaglerise Electric & Electronic (China) Co., Ltd. was established in 1990s in Foshan, China. Now we have 3 production bases, 3 R&D centers, 4,5000 square meters manufacturing plant and about 3000 employees. Eaglerise is devoted to provide competitive power supplies, component products and solutions to the global market. Our main product lines include 8 major categories and over 500 models covering LED driver, LED application product, switching power supply, power supply transformer, inductor, special type transformer, reactor, distribution transformer, widely used in the fields of lighting, renewable energy, industrial control, electricity utility, etc. Eaglerise is making continuous efforts to become a first-class industry supplier.

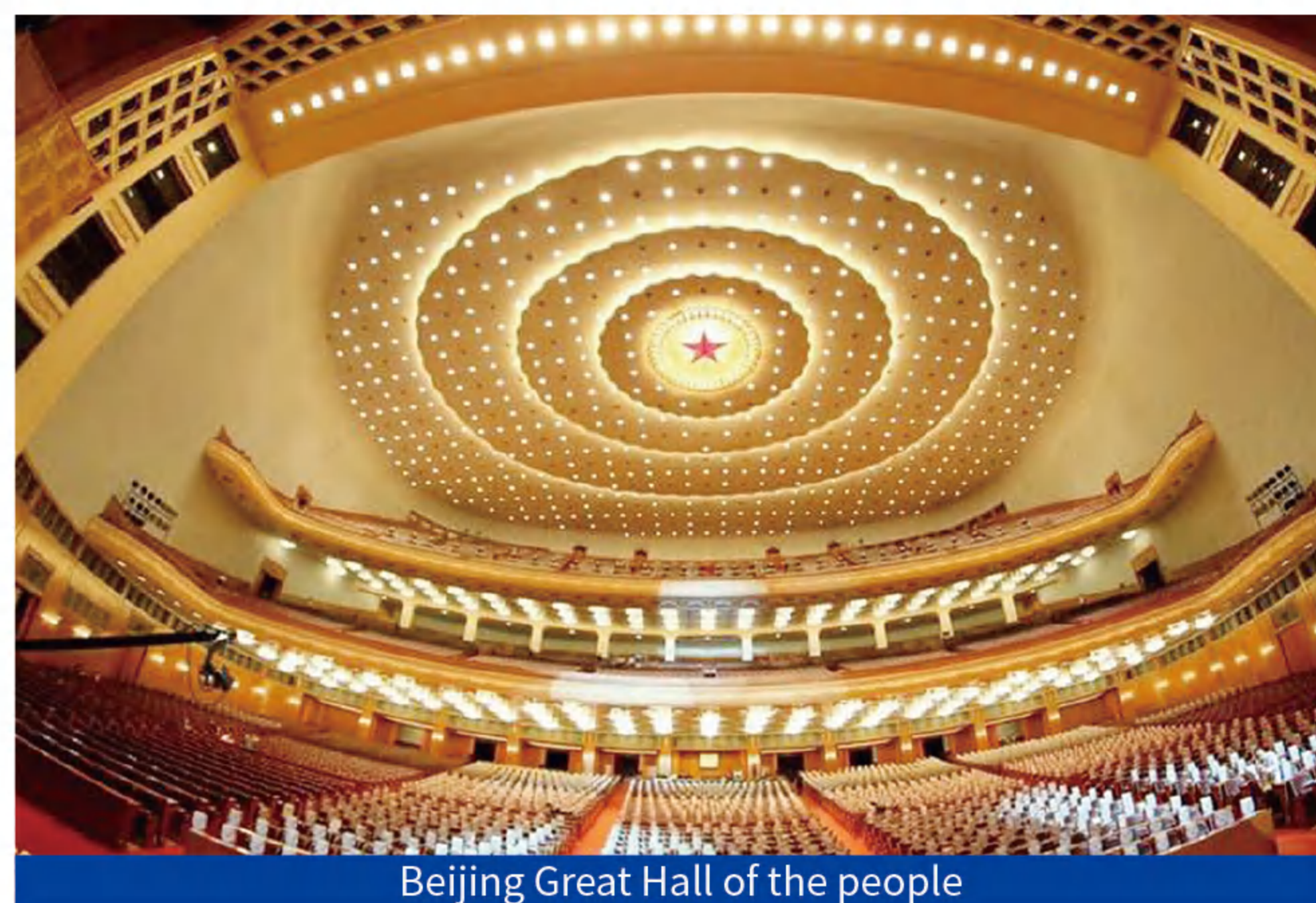
To follow markets and focus on customers, Eaglerise set up its sales and marketing branches in Shanghai, Japan, USA and Germany. Eaglerise is proud of being valuable and loyal cooperators to all its customers, suppliers, and business partners.

In December 2017, Eaglerise was successfully listed in Shenzhen Stock Exchange and officially became a public company. This could be better to create continuously increasing value to customers, employees, shareholders and society.

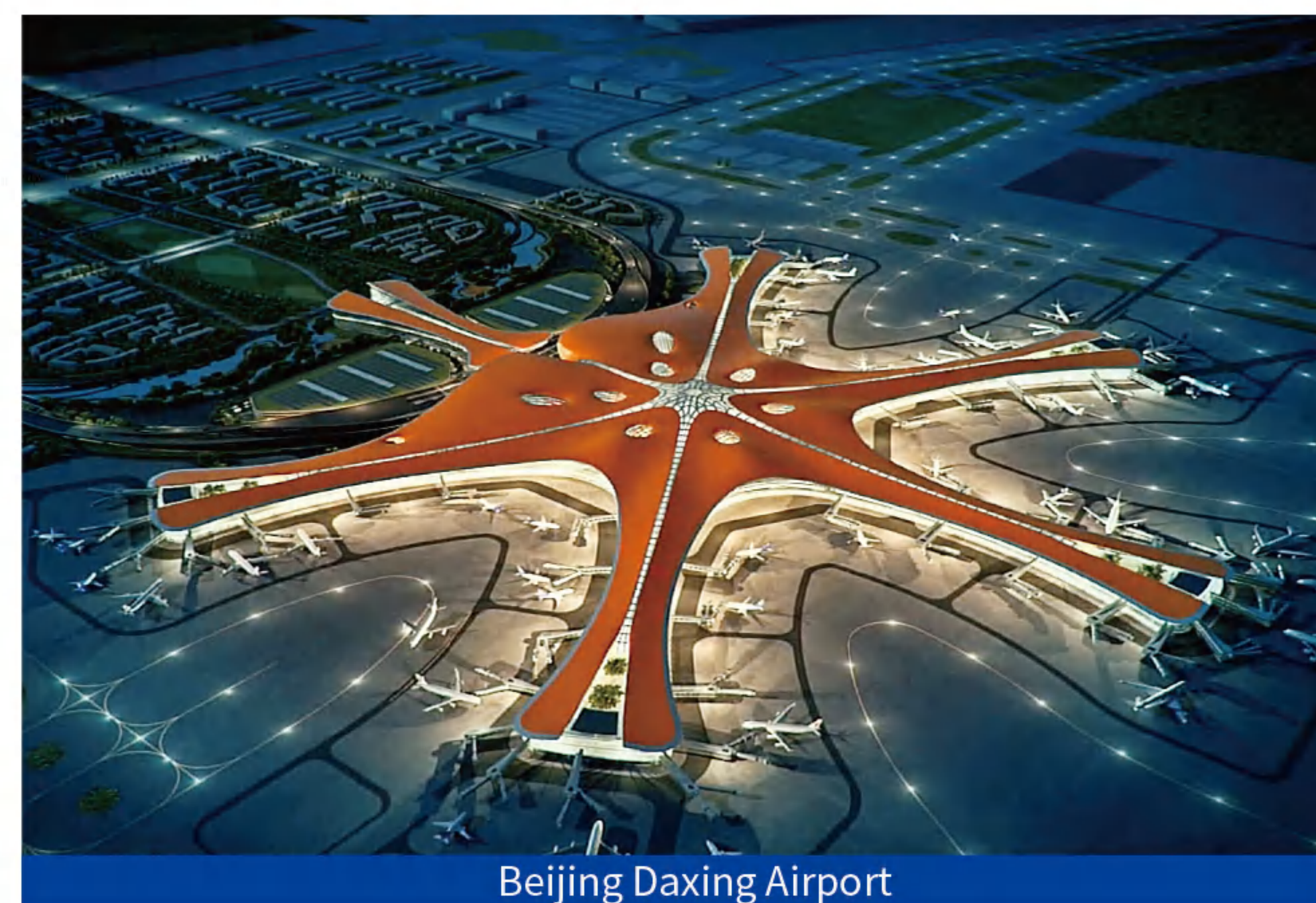
## Development History



# Engineering Cases



Beijing Great Hall of the people



Beijing Daxing Airport



Tianjing Fangte Hotel



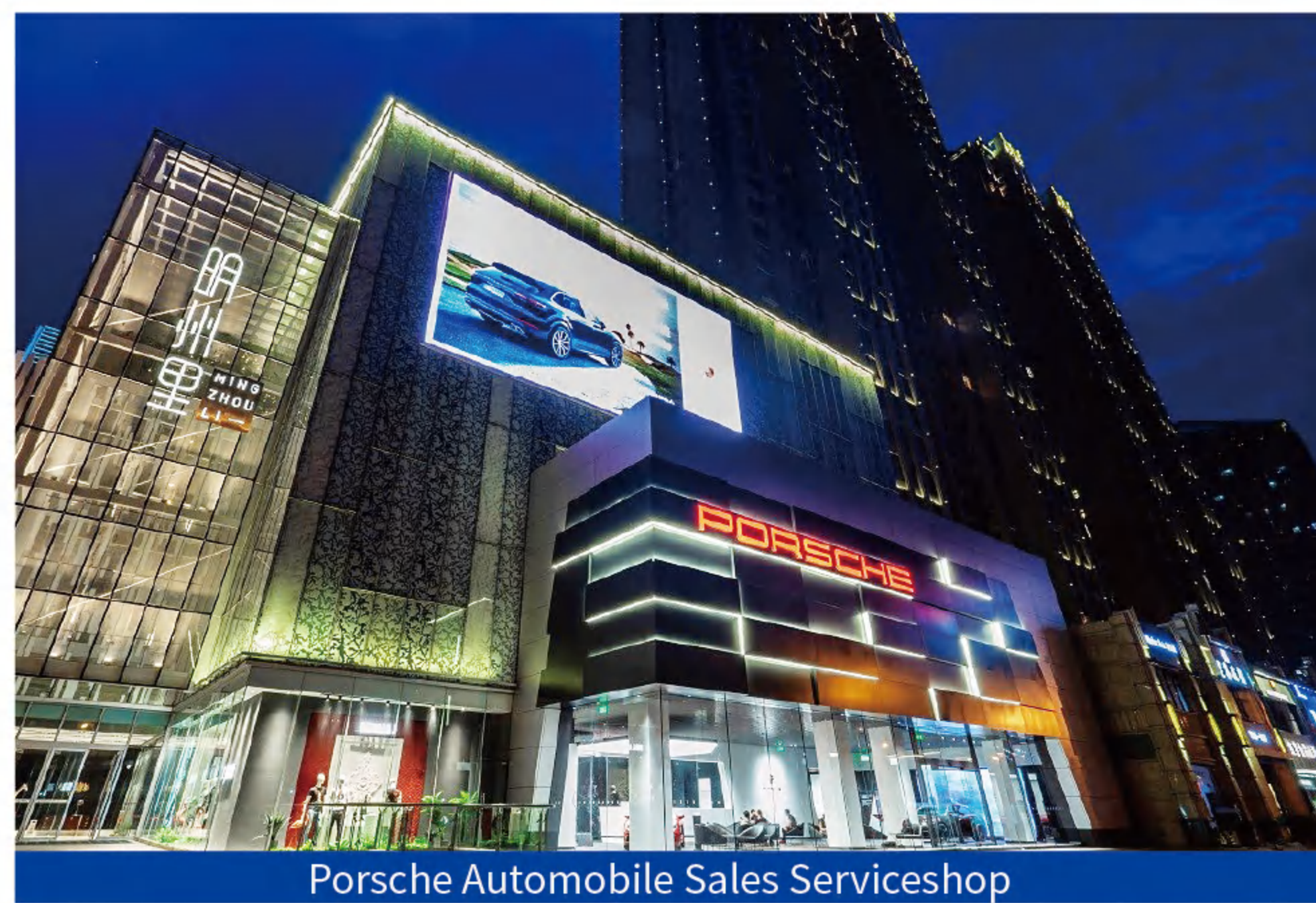
Starbucks Reserve



Nanchang Metro



Dongguan KK Store



Porsche Automobile Sales Serviceshop



Purcotton KIDS

# Naming Rules

FLS-30-700 IP65 N-S DALI-2 LA1

## Adjustable or not

F Output current adjustable  
Others Empty

## Shape

C Circle  
L Long Rectangles (2.0 ≤ L:W < 4.0)  
V Longer Rectangles (L:W ≥ 4.0)  
S Square Plastic (L:W < 2.0)  
M Metal Rectangles  
U Ultrathin (height less than 18mm)  
P Plug-in  
N Bare board, no shell  
R Oval, horseshoe shape  
W The wall type  
K Metal Square (L:W < 2.0)  
D Intergrated  
A Australian standard big terminal

## Input Voltage

S 220-240 VAC  
H 100-240 VAC  
E 100-120 VAC  
X 100-277 VAC  
P 100 VAC  
L less than 90 VAC  
D less than 90 VDC  
M No EMC  
N USA 120 VAC  
W USA 120-277 VAC

## Output Voltage

eg. :  
6 6W  
40 40W  
350 350W

## Output Current/ Voltage

eg. :  
C.C :  
120 120mA  
1050 1050mA

(If the first letter is "F", they mean maximum current)

C.V :  
12 12V  
24 24V

## IP Grade (optional)

IP20 Defaulty empty  
IP65 IP65  
IP67 IP67

## Generation Number (optional)

1 First generation  
2 Second generation

## Current Adjustable & Terminal & Cable

Output current not adjustable:

I Terminal/ Independent  
X Terminal/ Built-in  
R 2 slots  
Y Cable/ Independent  
B Cable/ Built-in

Output current adjustable:

A Dip switch/ Terminal/ Independent  
F Dip switch/ Cable/ Built-in  
S Dip switch/ 2 slots  
M NFC/ 2 slots  
N NFC/ Terminal/ Built-in  
D Dip switch/ Terminal/ Built-in  
C By resistor/ Terminal/ Independent  
E By resistor/ Terminal/ Built-in  
P Programmable/ Terminal/ Built-in  
Q Programmable/Terminal/Independent

## Power Factor & Flicker

L 0.9PF & flicker-free  
M 0.8PF & flicker-free  
S 0.5PF & flicker-free  
R 0.9PF & flicker

## Dimming Mode (optional)

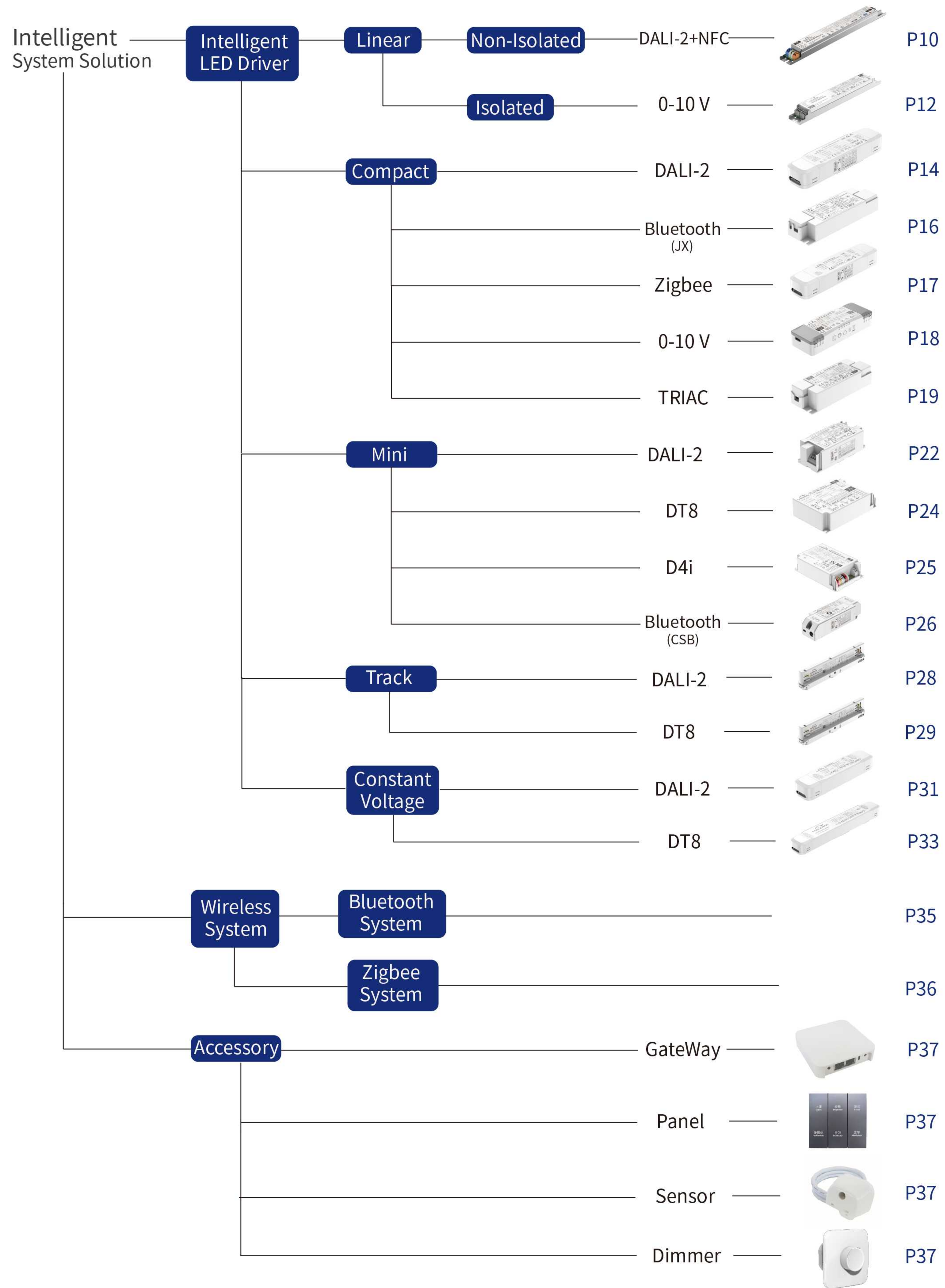
DALI-2 DALI Dimming  
0-10 0-10V Dimming  
Blue Bluetooth Dimming  
Zigb Zigbee Dimming  
PWM PWM Dimming  
RF RF Dimming  
TRIAC TRIAC Dimming  
DT8 DALI Dimming; color temperature is adjustable

(CCT- color temperature is adjustable)

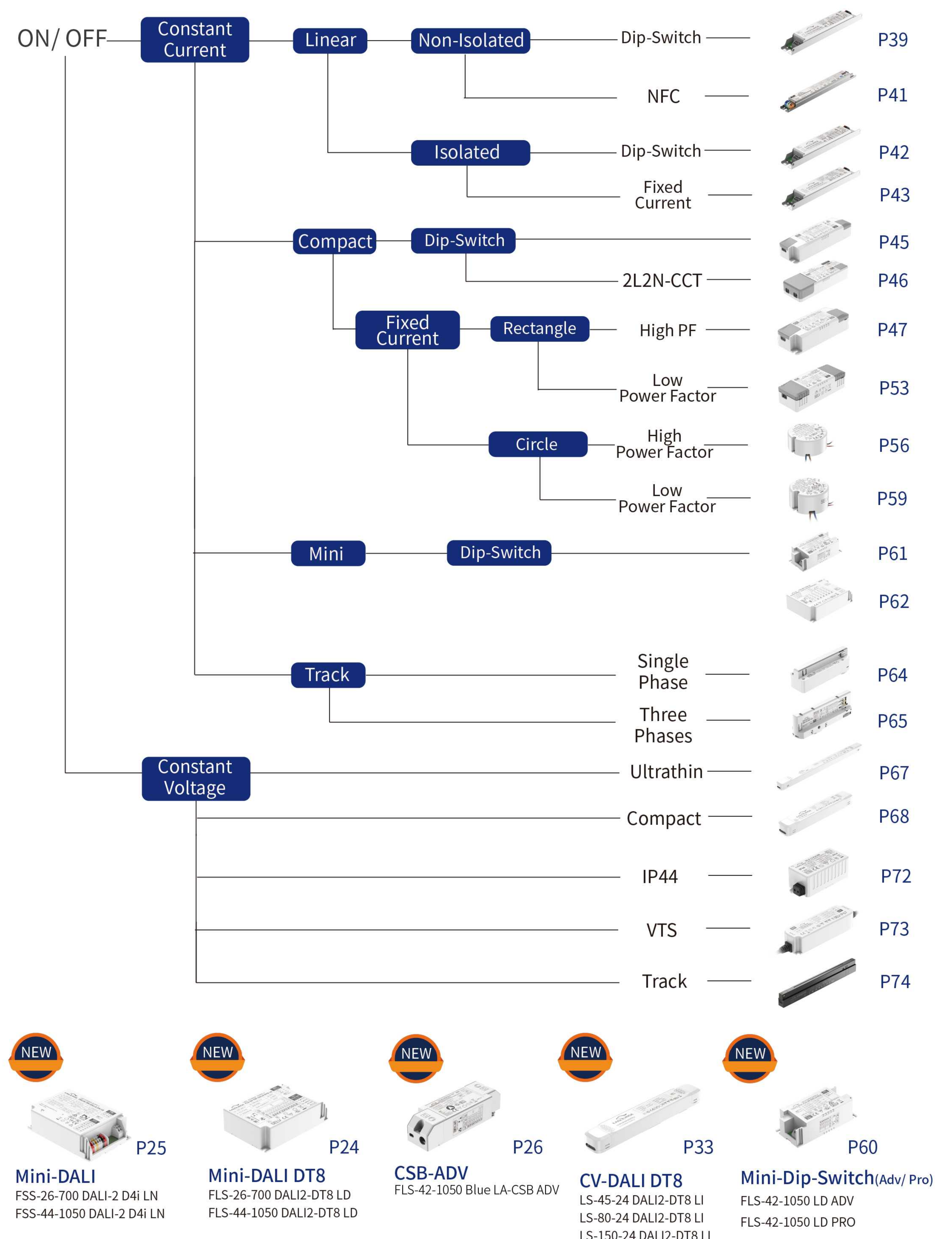
## N-SELV (optional)

N-S Non-Isolation/ N-SELV

# Quick Selection Map



# Quick Selection Map







ON/ OFF - Constant Current

Compact Fixed Current  
-Rectangle High Power Factor



Page 51

Best Seller	Size	Input Voltage	Power	Power Factor	Output Current	Output Voltage	Typical Efficiency
SS-12-300 MB-G SS-12-350 MB-G SS-12-500 MB-G SS-12-700 MB-G	60*34*23.5 mm	220-240 VAC (50/ 60 Hz)	12 W	≥0.8	300 mA 350 mA 500 mA 700 mA	24-40 VDC 20-34.5 VDC 14.5-24 VDC 10-18 VDC	≥81%



Page 52

Best Seller	Size	Input Voltage	Power	Power Factor	Output Current	Output Voltage	Typical Efficiency
SS-9-200 MX-G SS-9-300 MX-G SS-9-350 MX-G SS-9-700 MX-G	55*41*21.5 mm	220-240 VAC (50/ 60 Hz)	9 W	≥0.5	200 mA 300 mA 350 mA 700 mA	27-45 VDC 18-30 VDC 15-26 VDC 8.5-18 VDC	≥80%
SS-12-300 MX-G SS-12-350 MX-G SS-12-500 MX-G SS-12-700 MX-G	55*41*21.5 mm	220-240 VAC (50/ 60 Hz)	12 W	≥0.6	300 mA 350 mA 500 mA 700 mA	24-40 VDC 20-34.5 VDC 14.5-24 VDC 10-18 VDC	≥80%

Compact Fixed Current  
-Rectangle Low Power Factor



Page 53

Best Seller	Size	Input Voltage	Power	Power Factor	Output Current	Output Voltage	Typical Efficiency
SH-3-300 IP65 SB SH-3-350 IP65 SB SH-3-500 IP65 SB SH-3-700 IP65 SB	47*23*21 mm	100-240 VAC (50/ 60 Hz)	3 W	≥0.5	300 mA 350 mA 500 mA 700 mA	2.5-12 VDC 2.5-10 VDC 2.5-7 VDC 2.5-4.5 VDC	≥68%



Page 54

Best Seller	Size	Input Voltage	Power	Power Factor	Output Current	Output Voltage	Typical Efficiency
LS-3-150 SI E LS-3-300 SI E LS-3-350 SI E LS-3-400 SI E LS-3-500 SI E LS-3-600 SI E LS-3-700 SI E	84*20.5*16.5 mm	220-240 VAC (50/ 60 Hz)	3 W	0.5C	150 mA 300 mA 350 mA 400 mA 500 mA 600 mA 700 mA	5-12 VDC 5-12 VDC 5-12 VDC 2.5-4.5 VDC 2.5-4.5 VDC 2.5-4.5 VDC 2.5-4.5 VDC	≥73% ≥73% ≥71% ≥71% ≥71% ≥71% ≥71%
LS-6-120 SI E LS-6-150 SI E LS-6-180 SI E LS-6-200 SI E LS-6-220 SI E LS-6-350 SI E LS-6-500 SI E LS-6-550 SI E LS-6-700 SI E	84*20.5*16.5 mm	220-240 VAC (50/ 60 Hz)	6 W	0.5C	120 mA 150 mA 180 mA 200 mA 220 mA 350 mA 500 mA 550 mA 700 mA	27-40 VDC 27-40 VDC 27-40 VDC 27-40 VDC 27-40 VDC 8-18 VDC 5-12 VDC 5-11 VDC 4-9 VDC	≥76%



Page 55

Best Seller	Size	Input Voltage	Power	Power Factor	Output Current	Output Voltage	Typical Efficiency
LS-8-120 SI ECO LS-8-150 SI ECO LS-8-180 SI ECO LS-8-200 SI ECO LS-8-250 SI ECO LS-8-300 SI ECO LS-8-350 SI ECO	92*36*25 mm	220-240 VAC (50/ 60 Hz)	8 W	0.5C	120 mA 150 mA 180 mA 200 mA 250 mA 300 mA 350 mA	30-42 VDC 30-42 VDC 30-42 VDC 30-42 VDC 30-42 VDC 15-24 VDC 15-24 VDC	≥80%
LS-12-250 SI ECO LS-12-300 SI ECO LS-12-350 SI ECO LS-12-500 SI ECO LS-12-600 SI ECO	92*36*25 mm	220-240 VAC (50/ 60 Hz)	12 W	0.55C	250 mA 300 mA 350 mA 500 mA 600 mA	30-42 VDC 30-42 VDC 27-40 VDC 14-26 VDC 11-20 VDC	≥83%
LS-21-350 SI ECO LS-21-400 SI ECO LS-21-500 SI ECO	92*36*25 mm	220-240 VAC (50/ 60 Hz)	21 W	0.55C	350 mA 400 mA 500 mA	42-60 VDC 27-42 VDC 27-42 VDC	≥85%

● : Regular Stock

ON/ OFF - Constant Current

Compact Fixed Current  
-Circle High Power Factor



Page 56

Best Seller	Size	Input Voltage	Power	Power Factor	Output Current	Output Voltage	Typical Efficiency
CS-8-150 MB CS-8-200 MB	φ42*22 mm	220-240 VAC (50/ 60 Hz)	8 W	≥0.8	150 mA 200 mA	24-42 VDC 24-42 VDC	≥81%



Page 56

Best Seller	Size	Input Voltage	Power	Power Factor	Output Current	Output Voltage	Typical Efficiency
CS-12-250 MB CS-12-300 MB CS-12-350 MB	φ42*22 mm	220-240 VAC (50/ 60 Hz)	12 W	≥0.85	250 mA 300 mA 350 mA	27-48 VDC 24-42 VDC 22-40 VDC	≥83%



Page 57

Best Seller	Size	Input Voltage	Power	Power Factor	Output Current	Output Voltage	Typical Efficiency
CS-21-500 MB CS-21-700 MB	φ66*25.8 mm	220-240 VAC (50/ 60 Hz)	21 W	≥0.8	500 mA 700 mA	24-42 VDC 18-30 VDC	≥85%



Best Seller	Size	Input Voltage	Power	Power Factor	Output Current	Output Voltage	Typical Efficiency
CS-25-500 LB CS-25-600 LB	φ55*26 mm	220-240 VAC (50/ 60 Hz)	25 W	≥0.9	500 mA 600 mA	28-43 VDC 28-42 VDC	≥86%

Compact Fixed Current  
-Circle High Power Factor



Page 58

Best Seller	Size	Input Voltage	Power	Power Factor	Output Current	Output Voltage	Typical Efficiency
CH-12-300 IP65 LB1 CH-12-350 IP65 LB1 CH-12-500 IP65 LB1 CH-12-700 IP65 LB1	φ55*26 mm	100-240 VAC (50/ 60 Hz)	12 W	≥0.92	300 mA 350 mA 500 mA 700 mA	24-40 VDC 20-35 VDC 14-24 VDC 10.5-17.5 VDC	≥81%



Page 58

Best Seller	Size	Input Voltage	Power	Power Factor	Output Current	Output Voltage	Typical Efficiency
CH-18-300 IP65 LB CH-18-350 IP65 LB CH-18-450 IP65 LB CH-18-700 IP65 LB	φ55*26 mm	100-240 VAC (50/ 60 Hz)	18 W	≥0.94	300 mA 350 mA 450 mA 700 mA	36-60 VDC 31-52 VDC 24-40 VDC 15.5-26 VDC	≥86%

Compact Fixed Current  
-Circle Low Power Factor



Page 59

Best Seller	Size	Input Voltage	Power	Power Factor	Output Current	Output Voltage	Typical Efficiency
CS-8-120 SB CS-8-150 SB CS-8-180 SB CS-8-200 SB	φ42*22 mm	220-240 VAC (50/ 60 Hz)	8 W	≥0.5	120 mA 150 mA 180 mA 200 mA	28-42 VDC	≥83%

Best Seller	Size	Input Voltage	Power	Power Factor	Output Current	Output Voltage	Typical Efficiency
CS-12-250 SB1 CS-12-300 SB1	φ42*22 mm	220-240 VAC (50/ 60 Hz)	12 W	≥0.5	250 mA 300 mA	28-42 VDC	≥83%

Best Seller	Size	Input Voltage	Power	Power Factor	Output Current	Output Voltage	Typical Efficiency
CS-15-350 SB	φ42*22 mm	220-240 VAC (50/ 60 Hz)	15 W	≥0.5	350 mA	28-42 VDC	≥83%

Best Seller	Size	Input Voltage	Power	Power Factor	Output Current	Output Voltage	Typical Efficiency
CS-16-400 SB	φ42*22 mm	220-240 VAC (50/ 60 Hz)	16 W	≥0.5	400 mA	28-40 VDC	≥84%

● : Regular Stock

## ON/ OFF - Constant Current

### Mini Dip Switch

-ADV/PRO



Best Seller	Size	Input Voltage	Power	Power Factor	Output Current	Output Voltage	Typical Efficiency
FLS-42-1050 LD ADV FLS-42-1050 LD PRO	97*43*30 mm 98*43*22 mm	220-240 VAC (50/ 60 Hz)	42 W	0.95	300-1050 mA 150-1050 mA	9-52 VDC 2.5-42 VDC	≥88% ≥87%

Page 61



Best Seller	Size	Input Voltage	Power	Power Factor	Output Current	Output Voltage	Typical Efficiency
FSS-60-1700 LD	110*74*30 mm	220-240 VAC (50/ 60 Hz)	60 W	≥0.95	1050-1700 mA	17-44 VDC	≥88%

Page 62

### Track

-Single Phase



Best Seller	Size	Input Voltage	Power	Power Factor	Output Current	Output Voltage	Typical Efficiency
FDS-21-500 LD1-3 Wires FDS-32-800 LD-3 Wires FDS-42-1050 LD1-3 Wires	128*36.5*26 mm	220-240 VAC (50/ 60 Hz)	21 W 32 W 42 W	≥0.9	350-500 mA 500-800 mA 900-1050 mA	28-40 VDC	≥85% ≥88% ≥88%

Page 64

-Three Phases



FDS-30-700 LD EXC FDS-42-1050 LD EXC FDS-42-1050 LD ADV	158*30.6*41.6 mm	220-240 VAC (50/ 60 Hz)	30 W 42 W 42 W	≥0.9 >0.92 >0.92	150-700 mA 300-1050 mA 300-1050 mA	9-42 VDC	≥84% ≥84% ≥84%
---	------------------	----------------------------	----------------------	------------------------	--	----------	----------------------

Page 65

## ON/ OFF - Constant Voltage

### Ultra Thin



Best Seller	Size	Input Voltage	Power	Power Factor	Output Current	Output Voltage	Typical Efficiency
US-30-12 LI1 US-30-24 LI1	261*30*17 mm	220-240 VAC (50/ 60 Hz)	30 W	≥0.95	0-2.5 A 0-1.25 A	12 VDC 24 VDC	≥83%
US-60-12 LI1 US-60-24 LI1	329*30*17 mm	220-240 VAC (50/ 60 Hz)	60 W	≥0.95	0-5 A 0-2.5 A	12 VDC 24 VDC	≥87%
US-100-12 LI1 US-100-24 LI1	365*30*18 mm	220-240 VAC (50/ 60 Hz)	100 W	≥0.95	0-8.33 A 0-4.17 A	12 VDC 24 VDC	≥88%
US-160-24 LI1	395*30.5*21.5 mm	220-240 VAC (50/ 60 Hz)	160 W	≥0.95	0-6.67 A	24 VDC	≥92%

Page 67

### Compact



Best Seller	Size	Input Voltage	Power	Power Factor	Output Current	Output Voltage	Typical Efficiency
LS-30-12 LI EXC LS-30-24 LI EXC	136*38*28 mm	220-240 VAC (50/ 60 Hz)	30 W	≥0.95	0-2.5 A 0-1.25 A	12 VDC 24 VDC	≥87%
LS-60-12 LI EXC LS-60-24 LI EXC	158*38*30 mm	220-240 VAC (50/ 60 Hz)	60 W	≥0.95	0-5 A 0-2.5 A	12 VDC 24 VDC	≥88%
LS-75-12 LI EXC LS-75-24 LI EXC	158*38*30 mm	220-240 VAC (50/ 60 Hz)	75 W	≥0.95	0-6.25 A 0-3.13 A	12 VDC 24 VDC	≥88% ≥89%
LS-120-24 LI EXC LS-120-48 LI EXC	227*38*30 mm	220-240 VAC (50/ 60 Hz)	120 W	≥0.95	0-5 A 0-2.5 A	12 VDC 24 VDC	≥91%
LS-150-24 LI EXC LS-150-48 LI EXC	227*38*30 mm	220-240 VAC (50/ 60 Hz)	150 W	≥0.95	0-6.25 A 0-3.13 A	24 VDC 48 VDC	≥91%

Page 68

● : Regular Stock

## ON/ OFF - Constant Voltage

### Compact



Best Seller	Size	Input Voltage	Power	Power Factor	Output Current	Output Voltage	Typical Efficiency
● LS-12-12 MI LS-12-24 MI	100*42*24.5 mm	220-240 VAC (50/ 60 Hz)	12 W	≥0.95	0-1 A 0-0.5 A	12 VDC 24 VDC	≥82%
LS-20-12 MI ● LS-20-24 MI	115*45*28 mm	220-240 VAC (50/ 60 Hz)	20 W	≥0.95	0-1.67 A 0-0.83 A	12 VDC 24 VDC	≥80%
● SS-6-12 MB SS-6-24 MB	52*43.5*22.5 mm	220-240 VAC (50/ 60 Hz)	6 W	≥0.95	0-0.5 A 0-0.25 A	12 VDC 24 VDC	≥75%
SS-12-12 MB SS-12-24 MB	68.5*53*23 mm	220-240 VAC (50/ 60 Hz)	12 W	≥0.95	0-1 A 0-0.5 A	12 VDC 24 VDC	≥83%
SS-18-12 MB SS-18-24 MB	68.5*53*23 mm	220-240 VAC (50/ 60 Hz)	18 W	≥0.95	0-1.5 A 0-0.75 A	12 VDC 24 VDC	≥80%
● SS-30-12 LB ● SS-30-24 LB	95*53*23.2 mm	220-240 VAC (50/ 60 Hz)	30 W	≥0.95	0-1.5 A 0-0.75 A	12 VDC 24 VDC	≥85%
SS-45-12 LB SS-45-24 LB	95*53*23.2 mm	220-240 VAC (50/ 60 Hz)	45 W	≥0.95	0-3.75 A 0-1.88 A	12 VDC 24 VDC	≥85%
● SS-60-24 LB	110.5*59.5*32.5 mm	220-240 VAC (50/ 60 Hz)	60 W	≥0.95	0-2.5 A	24 VDC	≥87%

Page 69



Page 70



Page 71

### IP44



Best Seller	Size	Input Voltage	Power	Power Factor	Output Current	Output Voltage	Typical Efficiency
SH-8-12 IP44 MB SH-8-24 IP44 MB	72*30*23.5 mm	100-240 VAC (50/ 60 Hz)	8 W	≥0.95	0-0.67 A 0-0.34 A	12 VDC 24 VDC	≥75%
SH-16-12 IP44 MB SH-16-24 IP44 MB	90.5*40*26 mm	100-240 VAC (50/ 60 Hz)	16 W	≥0.95	0-1.25 A 0-0.625 A	12 VDC 24 VDC	≥76%
SH-35-12 IP44 LB SH-35-24 IP44 LB	98.5*57*29.5 mm	100-240 VAC (50/ 60 Hz)	35 W	≥0.95	0-2.91 A 0-1.458 A	12 VDC 24 VDC	≥80%

Page 72

### VTS



Best Seller	Size	Input Voltage	Power	Power Factor	Output Current	Output Voltage	Typical Efficiency
● VTS-24-12 IP67 L ● VTS-24-24 IP67 L	118*35*26 mm	220-240 VAC (50/ 60 Hz)	24 W	≥0.95	0-2 A 0-1 A	12 VDC 24 VDC	≥86%
● VTS-40-12 IP67 L ● VTS-40-24 IP67 L	148*42*30 mm	220-240 VAC (50/ 60 Hz)	40 W	≥0.95	0-3.34 A 0-1.67 A	12 VDC 24 VDC	≥86%
● VTS-60-12 IP67 L ● VTS-60-24 IP67 L	162.5*42.5*32 mm	220-240 VAC (50/ 60 Hz)	60 W	≥0.95	0-5 A 0-2.5 A	12 VDC 24 VDC	≥86.5% ≥89%
● VTS-100-12 IP67 L ● VTS-100-24 IP67 L	190*52*33 mm	220-240 VAC (50/ 60 Hz)	100 W	≥0.95	0-8.33 A 0-4.17 A	12 VDC 24 VDC	≥87% ≥89%

Page 73

### Track



Best Seller	Size	Input Voltage	Power	Power Factor	Output Current	Output Voltage	Typical Efficiency
LS-100-48 LX EXC LS-150-48 LX EXC LS-250-48 LX EXC	325*22.8*43 mm 325*22.8*43 mm 390*22.8*43 mm	220-240 VAC (50/ 60 Hz)	100 W 150 W 250 W	>0.95	0-2.08 A 0-3.13 A 0-5.20 A	48 VDC	≥88% ≥91% ≥93%

Page 74

● : Regular Stock





# Linear-DALI-2 NFC Series 35-150W

## DALI-2 Dimming LED Driver



- Class I, built-in
- Input Voltage 220-240 VAC
- Protection: SCP/ OLP/ OVP/ OTP
- Warranty: 5 Years
- Power Factor >0.95
- Efficiency ≥90%
- Support DALI-2, Push Dimming
- Output current can be adjusted via NFC
- Height: 21mm
- Corridor Function

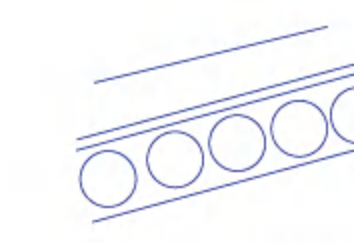


FMS-35-350 N-S DALI-2 LN  
FMS-75-600 N-S DALI-2 LN

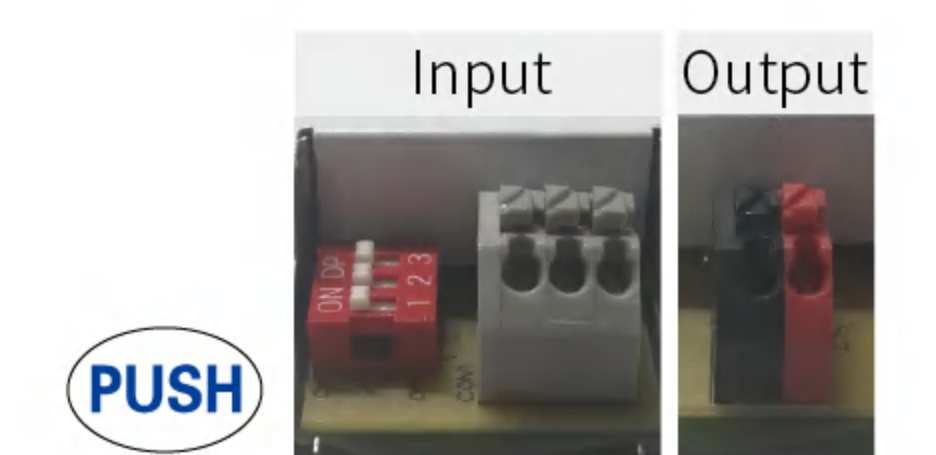


FMS-100-700 N-S DALI-2 LN  
FMS-150-800 N-S DALI-2 LN

Typical Applications:

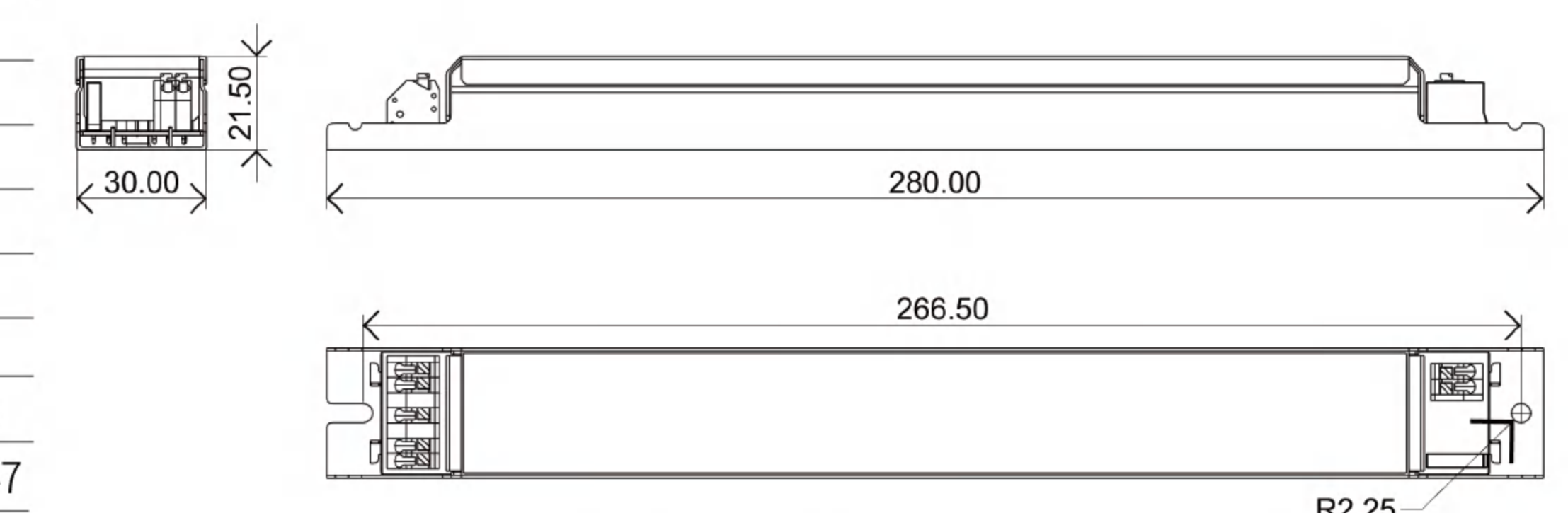


Linear Light

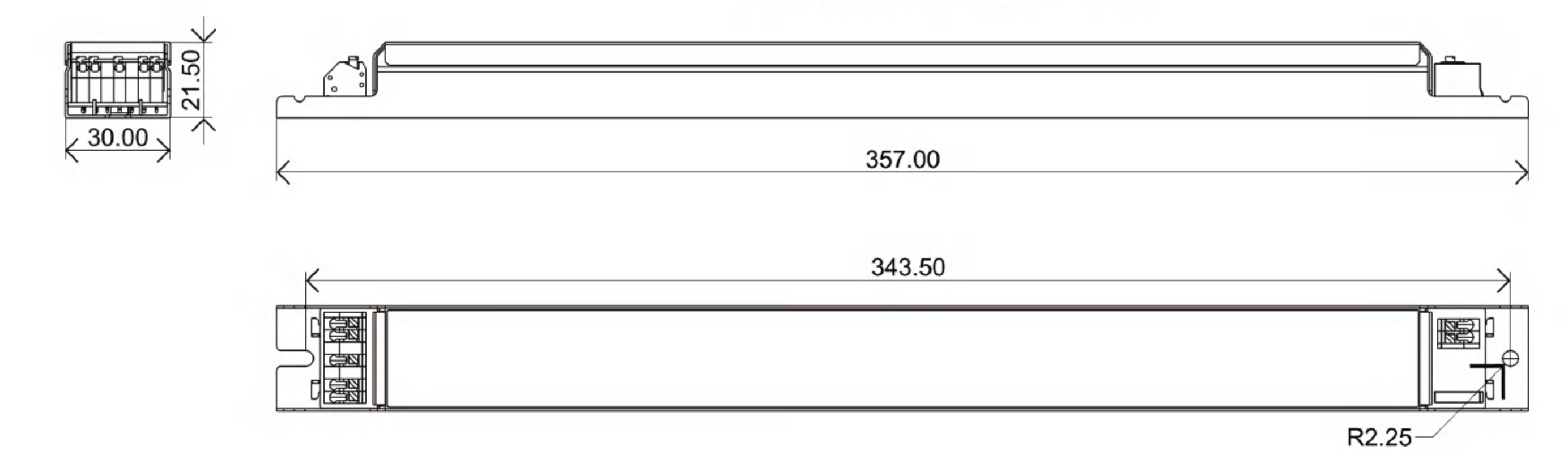


Best Seller	Size (L*W*H)	Output	THD	Typical Efficiency	No-load Power	Inrush Current	Ta, Tc	Certification
FMS-35-350 N-S DALI-2 LN	280*30*21	35W/ 80-350mA/ 50-220VDC	≤10%	>90%	≤0.5W	30A	60°C/ 75°C	CE/ CB/ ENEC/ EL
FMS-75-600 N-S DALI-2 LN	280*30*21	75W/ 120-600mA/ 50-220VDC	≤10%	>93%	≤0.5W	30A	60°C/ 80°C	CE/ CB/ ENEC/ EL
FMS-100-700 N-S DALI-2 LN	357*30*21	100W/ 200-700mA/ 64-300VDC	≤10%	>93%	≤0.5W	30A	60°C/ 85°C	CE/ CB/ ENEC/ EL
FMS-150-800 N-S DALI-2 LN	357*30*21	150W/ 200-800mA/ 64-300VDC	≤10%	>95%	≤0.5W	30A	60°C/ 85°C	CE/ CB/ ENEC/ EL

AC Input Voltage Range	220-240 VAC 0/50/60 Hz
DC Input Voltage Range	198-280 VDC
Start-up Time	<0.7 s
Hold-up Time	1 s max
Withstand Voltage	Input-FG 1500 V/ 5 mA/ 1 min Output-FG 500V/ 5mA/ 1min
Safety Standards	IEC/EN 61347-1, IEC/EN61347-2-13, EN 62384
EMC Standards	EN55015, EN61000-3-2, EN61000-3-3, EN61547



FMS-35-350 N-S DALI-2 LN  
FMS-75-600 N-S DALI-2 LN



FMS-100-700 N-S DALI-2 LN  
FMS-150-800 N-S DALI-2 LN

# LED DRIVER

## Intelligent LED Driver - Linear

# Linear-DALI-2 NFC Series 35-100W

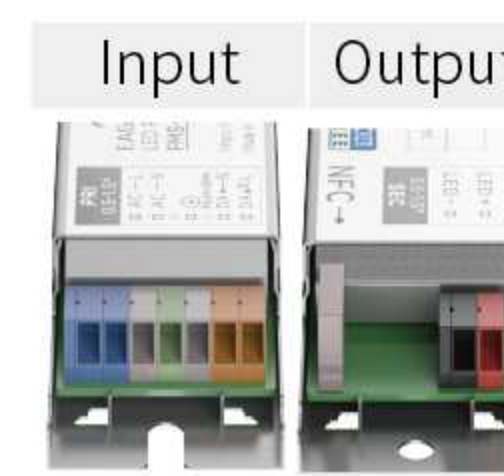
## DALI-2 Dimming LED Driver



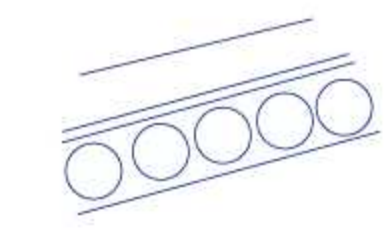
- Class I, built-in
- Input Voltage 220-240 VAC
- Protection: SCP/ OLP/ OVP/ OTP
- Warranty: 5 Years
- Power Factor >0.95
- Efficiency ≥90%
- Support DALI-2, Push Dimming
- Output current can be adjusted via NFC
- Height: 16mm
- Corridor Function



FMS-35-350 N-S DALI-2 LN1  
FMS-75-600 N-S DALI-2 LN1  
FMS-100-700 N-S DALI-2 LN1



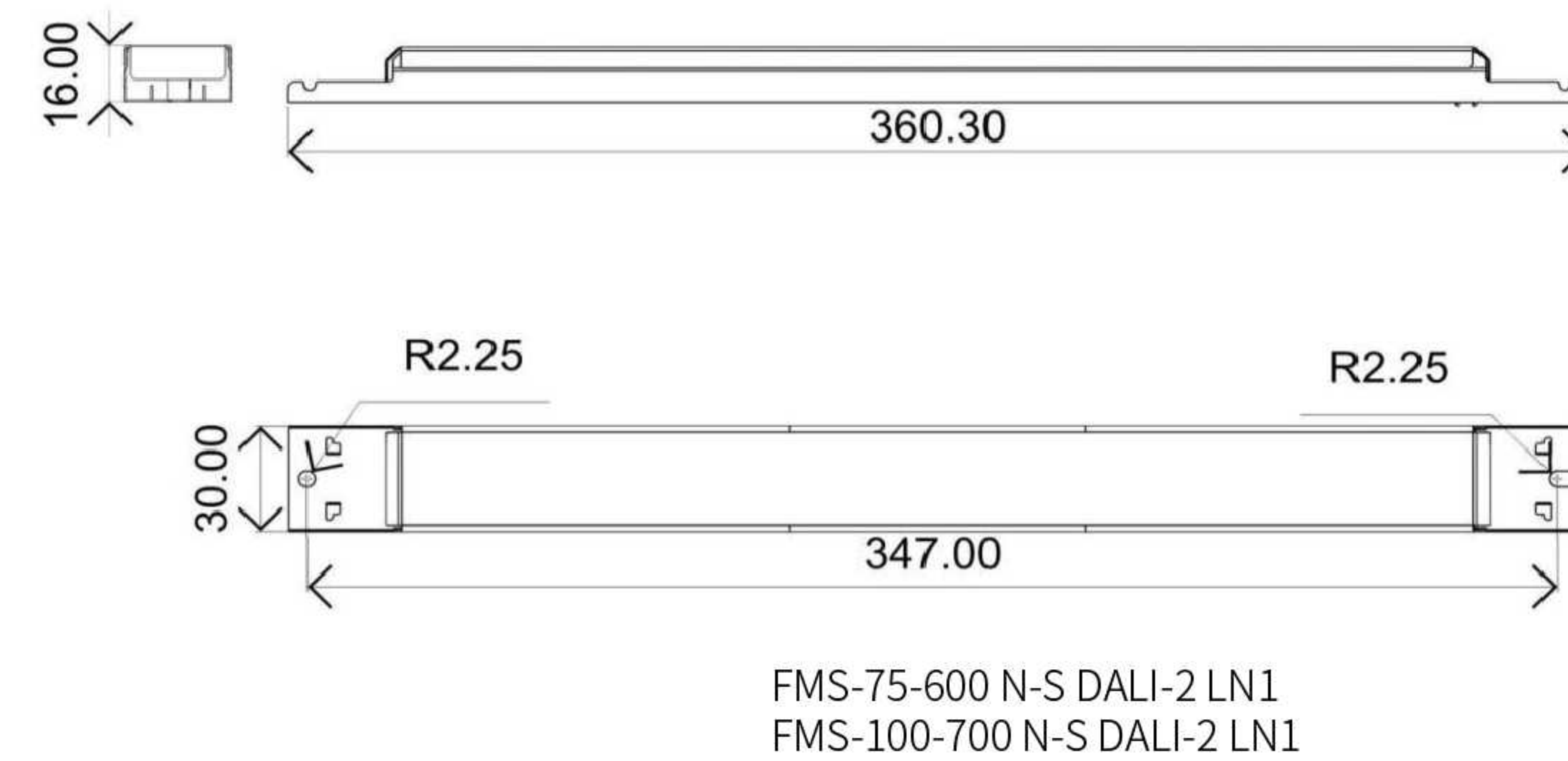
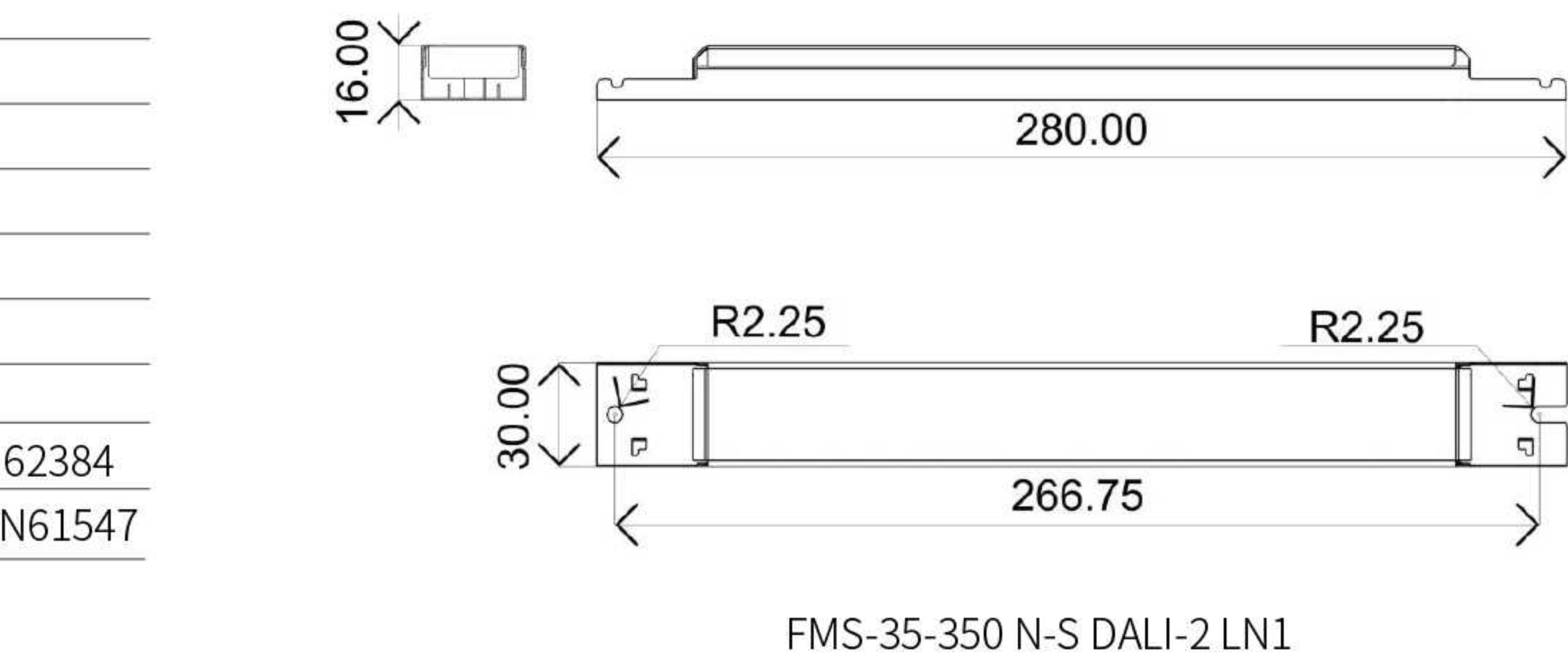
Typical Applications:



Linear Light

Best Seller	Size (L*W*H)	Output	THD	Typical Efficiency	No-load Power	Ta, Tc	Certification
FMS-35-350 N-S DALI-2 LN1	280*30*16	35W/ 80-350mA/ 50-220VDC	<10%	90%	≤0.5W	60°C/80°C	CE/ CB/ ENEC/ EL
FMS-75-600 N-S DALI-2 LN1	280*30*16	75W/ 120-600mA/ 50-220VDC	<10%	>92%	≤0.5W	55°C/85°C	CE/ CB/ ENEC/ EL
FMS-100-700 N-S DALI-2 LN1	360*30*16	100W/ 200-700mA/ 64-300VDC	10%	93%	≤0.5W	60°C/85°C	CE/ CB/ ENEC/ EL

AC Input Voltage Range	220-240 VAC 0/50/60 Hz
DC Input Voltage Range	198-280 VDC
Start-up Time	<0.7 s
Hold-up Time	1 s max
Withstand Voltage	Input-FG 1500 V/ 5 mA/ 1 min Output-FG 500V/ 5mA/ 1min
Safety Standards	IEC/EN 61347-1, IEC/EN61347-2-13, EN 62384
EMC Standards	EN55015, EN61000-3-2, EN61000-3-3, EN61547



# Linear-0-10 V Series 25-80W

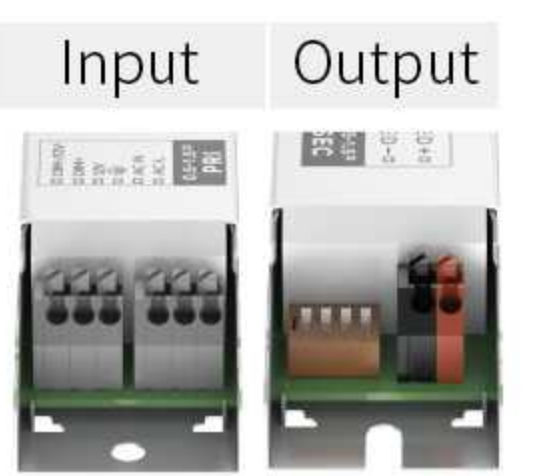
## 0-10 V Dimming LED Driver



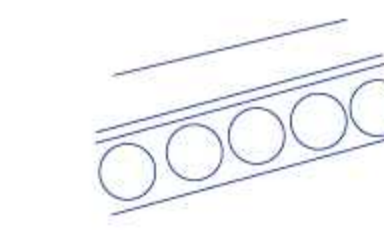
- Class I, SELV, built-in
- Input Voltage 220-240 VAC
- Protection: SCP/ OLP/ OVP
- Power Factor: >0.9
- Support 0-10V Dimming
- 5 Years Warranty
- IP20



FMS-25-600 0-10 LD  
FMS-44-1050 0-10 LD  
FMS-60-1700 0-10 LD  
FMS-80-2000 0-10 LD



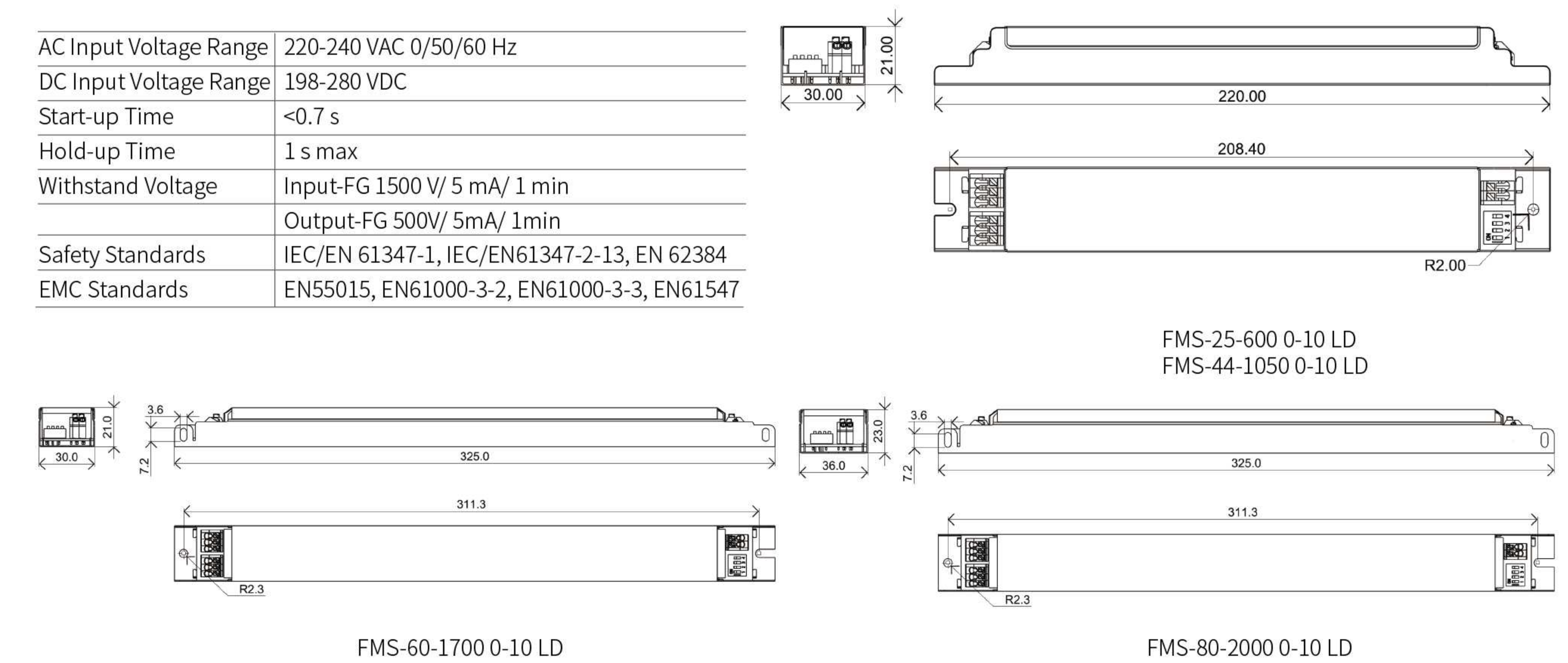
Typical Applications:



Linear Light

Best Seller	Size (L*W*H)	Output	THD	Typical Efficiency	No-load Power	Ta, Tc	Certification
FMS-25-600 0-10 LD	220*30*21	25W/ 200-600mA/ 9-42VDC	<10%	85%	≤0.5W	60°C/80°C	CE/ RCM/ ENEC/ EL
FMS-44-1050 0-10 LD	220*30*21	44W/ 650-1050mA/ 9-42VDC	<10%	88%	≤0.5W	60°C/85°C	CE/ RCM/ ENEC/ EL
FMS-60-1700 0-10 LD	325*30*21	60W/ 1100-1700mA/ 12-42VDC	<10%	87%	≤0.5W	60°C/90°C	CE/ RCM/ ENEC/ EL
FMS-80-2000 0-10 LD	325*36*23	80W/ 1550-2000mA/ 9-42VDC	<10%	88%	≤0.5W	60°C/90°C	CE/ RCM/ ENEC/ EL

AC Input Voltage Range	220-240 VAC 0/50/60 Hz
DC Input Voltage Range	198-280 VDC
Start-up Time	<0.7 s
Hold-up Time	1 s max
Withstand Voltage	Input-FG 1500 V/ 5 mA/ 1 min Output-FG 500V/ 5mA/ 1min
Safety Standards	IEC/EN 61347-1, IEC/EN61347-2-13, EN 62384
EMC Standards	EN55015, EN61000-3-2, EN61000-3-3, EN61547





# LED DRIVER

## Intelligent LED Driver

### - Compact

## Compact-DALI-2 Series 25-60W

### DALI-2 Dimming LED Driver



- Installation: Independent
- Class II, Isolated
- Flicker Free
- Warranty: 5 Years
- Protection: SCP/ OLP/ OVP
- Adjustable output current with dip switch
- Dimming depth 1 %, dimming range 1% to 100%
- Customizable logarithmic curve, linear dimming curve
- Support Push/ Touch DIM function, can be dimmed manually

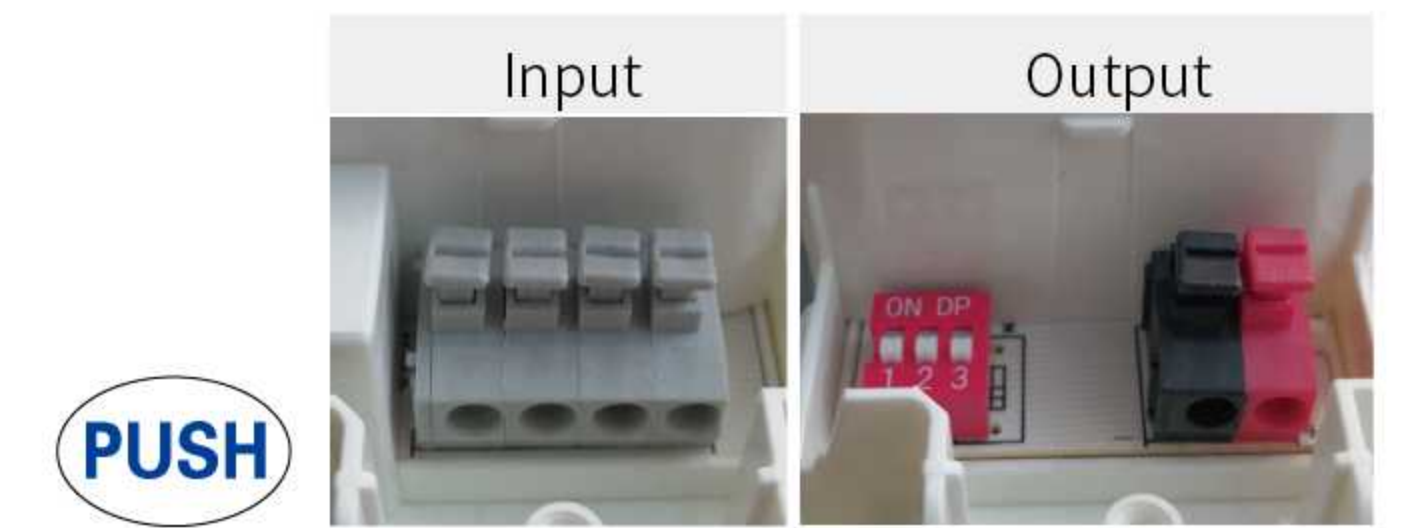
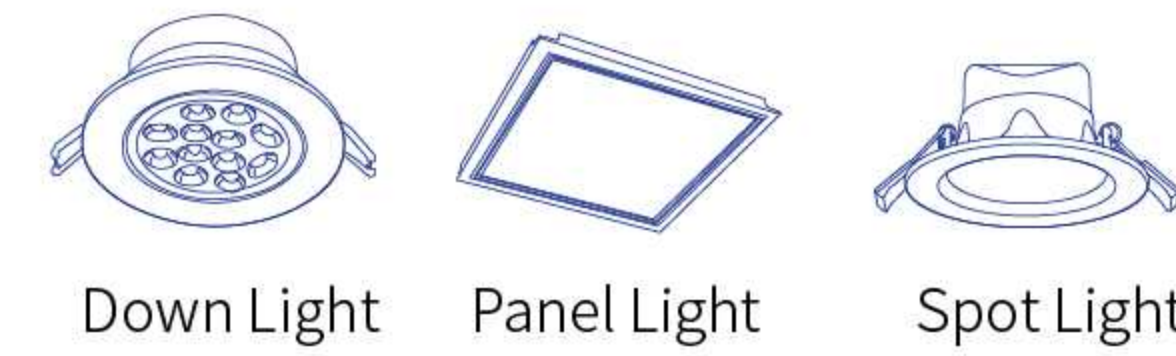


FLS-40-1050 DALI2 LA1  
FLS-60-1400 DALI2 LA1



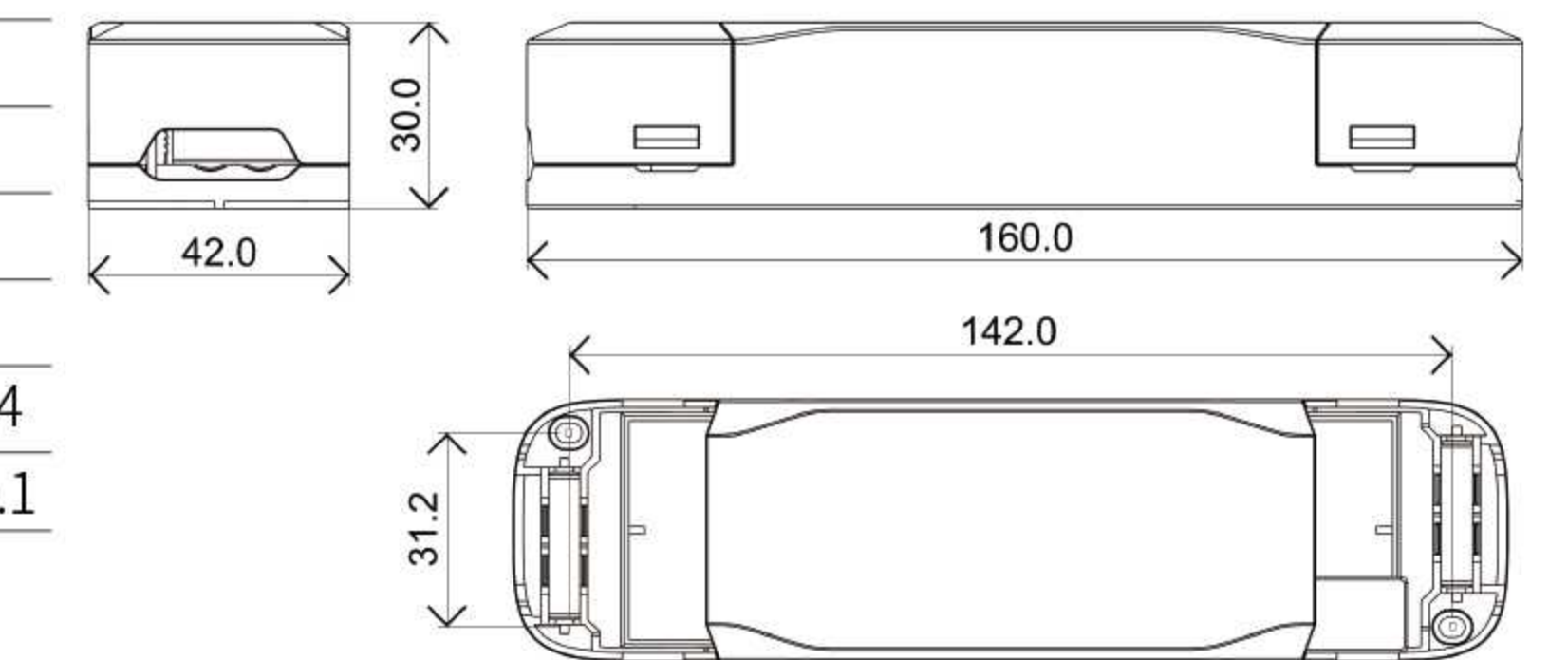
FLS-25-700 DALI2 LA1

Typical Applications:



Best Seller	Size (L*W*H)	Output	THD	Typical Efficiency	No-load Power	Inrush Current	Ta, Tc	Certification
FLS-25-700 DALI2 LA1	160*42*30	25W/ 150-700mA/ 9-52VDC	<10%	≥85%	≤0.5W	30A	45°C/ 85°C	CE/ CB/ ENEC/CCC EL/ RCM
FLS-40-1050 DALI2 LA1	187*45*30.5	40W/ 700-1050mA/ 9-52VDC	<10%	≥87%	≤0.5W	30A	45°C/ 75°C	CE/ CB/ ENEC/CCC EL/ RCM
FLS-60-1400 DALI2 LA1	187*45*30.5	40W/ 650-1400mA/ 9-52VDC	<10%	≥86%	≤0.5W	30A	45°C/ 90°C	CE/ CB/ ENEC/CCC EL/ RCM

Ac Input Voltage Range	220-240 VAC 50/60 Hz
Start-up Time	<0.7 s
Hold-up Time	1 s max
Withstand Voltage	Input-Output 3750 V/ 5 mA/ 1 min
Safety Standards	IEC/ EN61347-1, IEC/ EN61347-2-13, EN62384, GB19510.1, GB19510.14
EMC Standards	EN55015, EN61000-3-2, EN61000-3-3, EN61547, GB/T17743, GB17625.1

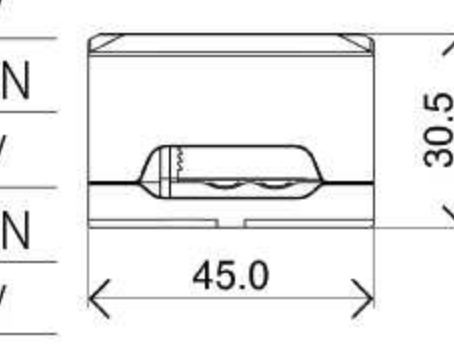


FLS-25-700 DALI2 LA1

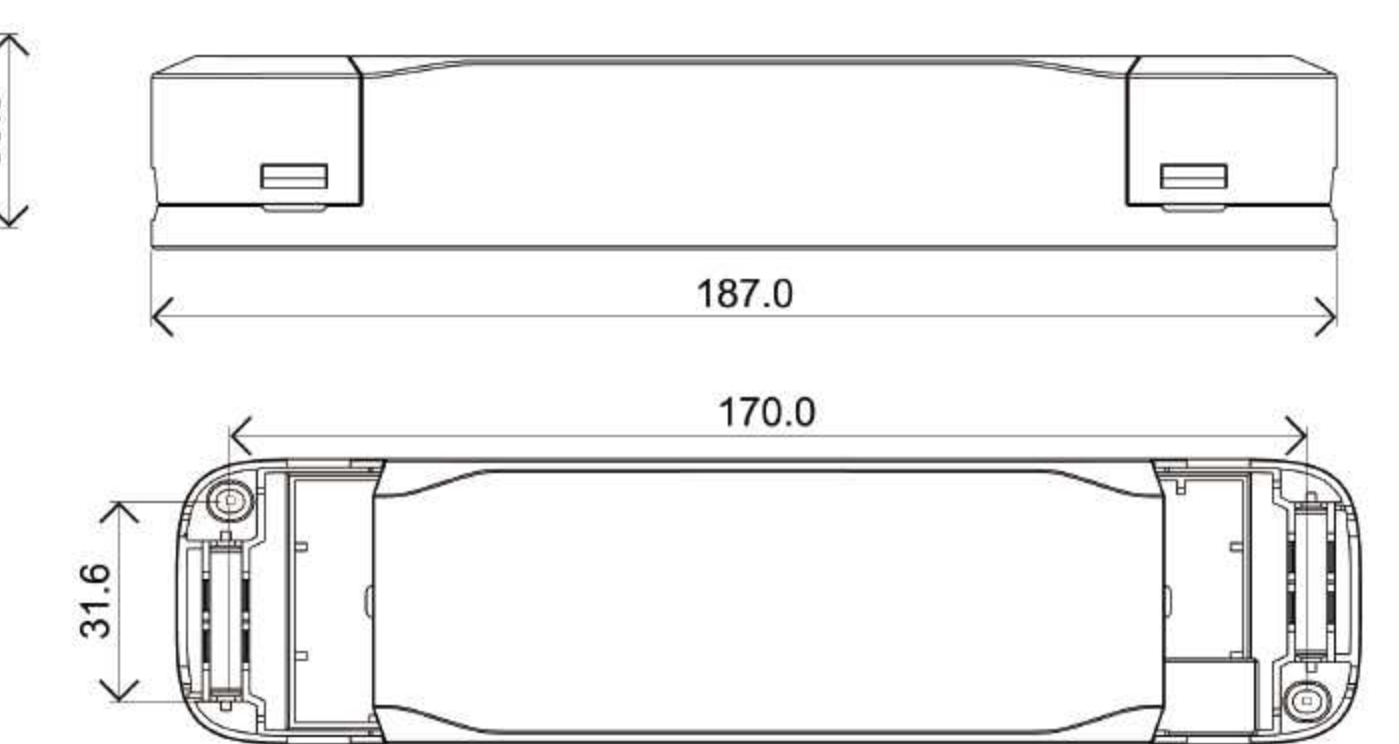
Vo	Po	Io	4	3	2	1
9-52 VDC	7.8 W	150 mA	/	ON	/	/
9-52 VDC	10.4 W	200 mA	/	ON	/	ON
9-52 VDC	13 W	250 mA	/	ON	ON	/
9-52 VDC	15.6 W	300 mA	/	ON	ON	ON
9-52 VDC	18.2 W	350 mA	ON	/	/	/
9-52 VDC	20.8 W	400 mA	ON	/	/	ON
9-52 VDC	23.4 W	450 mA	ON	/	ON	/
9-52 VDC	26 W	500 mA	ON	/	ON	ON
9-47.5 VDC	26.1 W	550 mA	ON	ON	/	/
9-43.5 VDC	26.1 W	600 mA	ON	ON	/	ON
9-40 VDC	26 W	650 mA	ON	ON	ON	/
9-37.5 VDC	26.3 W	700 mA	ON	ON	ON	ON

FLS-60-1400 DALI2 LA1

Vo	Po	Io	4	3	2	1
9-48 VDC	31.2 W	650 mA	/	/	/	/
9-48 VDC	33.6 W	700 mA	/	/	/	ON
9-48 VDC	36 W	750 mA	/	/	ON	/
9-48 VDC	38.4 W	800 mA	/	/	ON	ON
9-48 VDC	40.8 W	850 mA	/	ON	/	/
9-48 VDC	43.2 W	900 mA	/	ON	/	ON
9-48 VDC	45.6 W	950 mA	/	ON	ON	/
9-48 VDC	48 W	1000 mA	/	ON	ON	ON
9-48 VDC	50.4 W	1050 mA	ON	/	/	/
9-48 VDC	52.8 W	1100 mA	ON	/	/	ON
9-48 VDC	55.2 W	1150 mA	ON	/	ON	/
9-48 VDC	57.6 W	1200 mA	ON	/	ON	ON
9-48 VDC	60 W	1250 mA	ON	ON	/	/
9-46 VDC	59.8 W	1300 mA	ON	ON	/	ON
9-44 VDC	59.4 W	1350 mA	ON	ON	ON	/
9-43 VDC	60.2 W	1400 mA	ON	ON	ON	ON



FLS-25-700 DALI2 LA1



FLS-40-1050 DALI2 LA1  
FLS-60-1400 DALI2 LA1

FLS-40-1050 DALI2 LA1

Vo	Po	Io	3	2	1
9-52 VDC	36.4 W	700 mA	/	/	/
9-52 VDC	39 W	750 mA	/	/	ON
9-52 VDC	41.6 W	800 mA	/	ON	/
9-49 VDC	41.7 W	850 mA	/	ON	ON
9-49 VDC	44.1 W	900 mA	ON	/	/
9-46 VDC	43.7 W	950 mA	ON	/	ON
9-44 VDC	44 W	1000 mA	ON	ON	/
9-42 VDC	44.1 W	1050 mA	ON	ON	ON

Factory Default

# Compact-DALI-2 Series 25-60W

## DALI-2 Dimming LED Driver

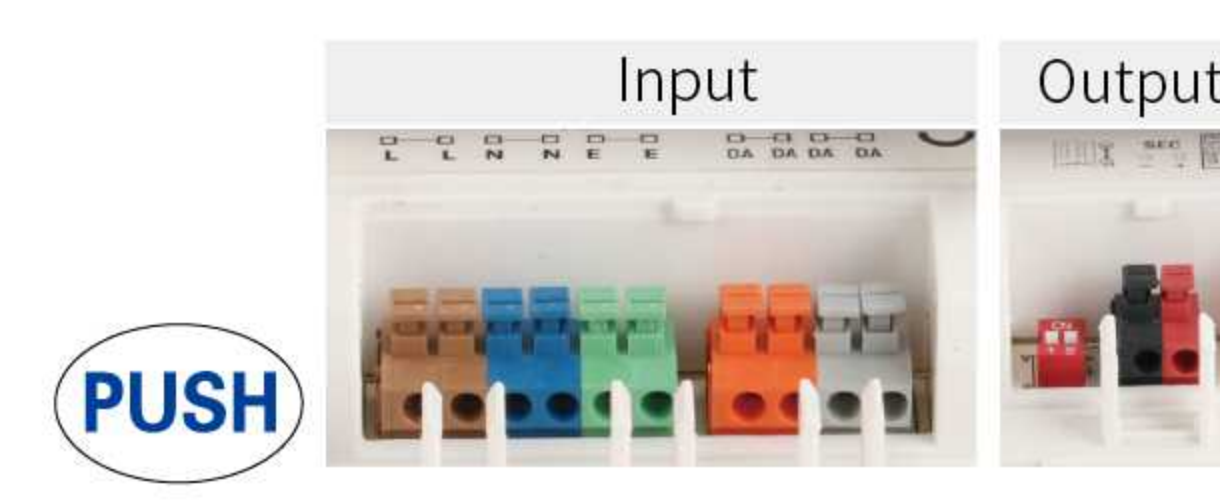
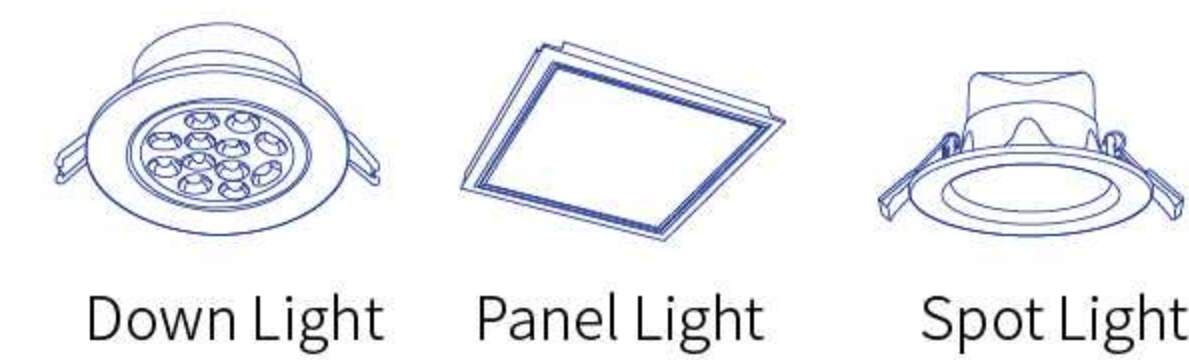


- Installation: Independent
- Class II, Isolated
- Protection: SCP/ OLP/ OVP
- Adjustable output current with dip switch
- Warranty: 5 Years
- Flicker Free
- Dimming depth 1 %, dimming range 1% to 100%
- Customizable logarithmic curve, linear dimming curve
- Support Push/ Touch DIM function, can be dimmed manually



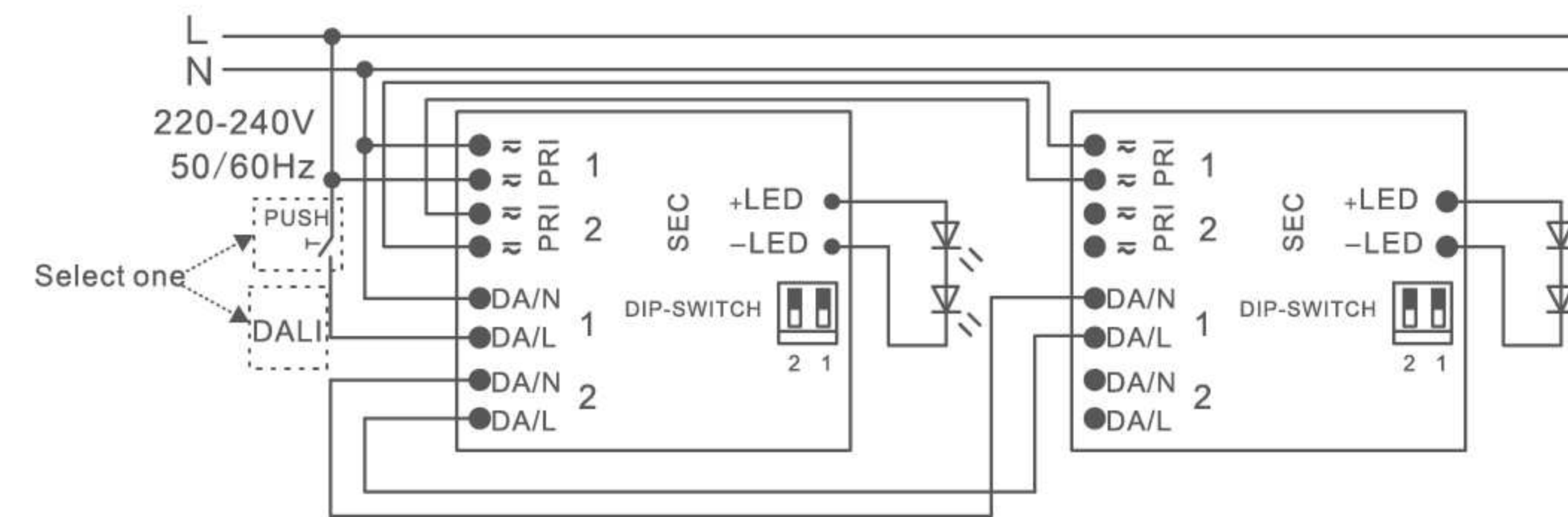
FLS-25-700 DALI2 LS1  
FLS-44-1050 DALI2 LS1  
FLS-60-1400 DALI2 LS1

Typical Applications:



Best Seller	Size (L*W*H)	Output	THD	Typical Efficiency	No-load Power	Inrush Current	Ta, Tc	Certification
FLS-25-700 DALI2 LS1	180*80*30	25W/ 150-700mA/ 9-42VDC	<10%	≥84%	≤0.5W	20A	45°C/ 75°C	CE/ CB/ ENEC/CCC EL/ RCM
FLS-44-1050 DALI2 LS1	180*80*30	44W/ 700-1050mA/ 9-52VDC	<10%	≥87%	≤0.5W	20A	45°C/ 85°C	CE/ CB/ ENEC/CCC EL/ RCM
FLS-60-1400 DALI2 LS1	180*80*30	60W/ 700-1400mA/ 9-52VDC	<10%	≥86%	≤0.5W	20A	45°C/ 85°C	CE/ CB/ ENEC/CCC EL/ RCM

Ac Input Voltage Range	220-240 VAC 50/60 Hz
Start-up Time	<0.7 s
Hold-up Time	1 s max
Withstand Voltage	Input-Output 3750 V/ 5 mA/ 1 min
Safety Standards	IEC/ EN61347-1, IEC/ EN61347-2-13, EN62384
EMC Standards	EN55015, EN61000-3-2, EN61000-3-3, EN61547

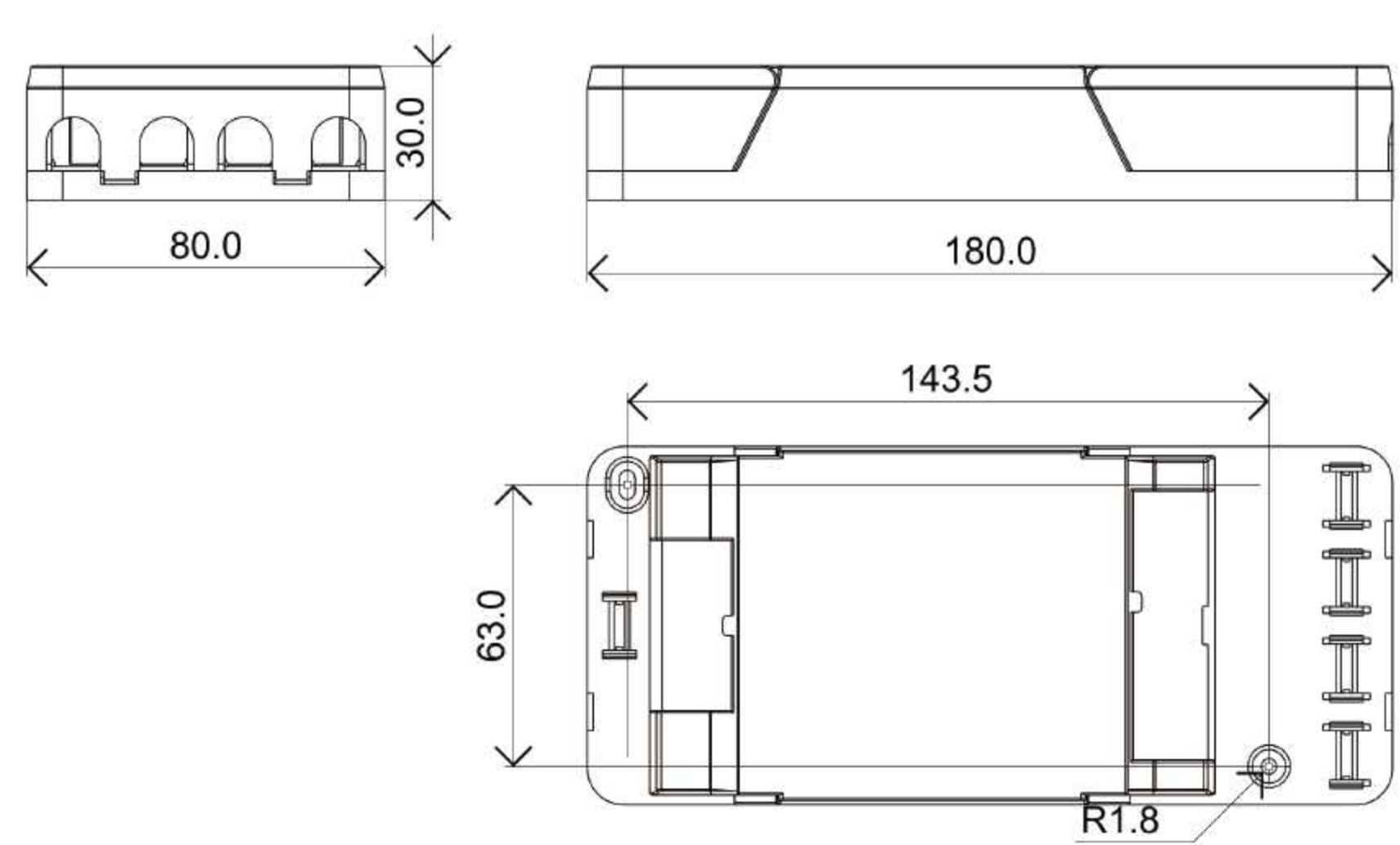


FLS-25-600 DALI2 LS1

Vo	Po	Io	1	2
9-42 VDC	10.5 W	250 mA	/	/
9-42 VDC	14.7 W	350 mA	ON	/
9-42 VDC	21 W	500 mA	/	ON
9-42 VDC	25.2 W	600 mA	ON	ON

FLS-60-1400 DALI2 LS1

Vo	Po	Io	1	2	3	4
9-52 VDC	36.4 W	700 mA	ON	/	/	/
9-52 VDC	39 W	750 mA	/	ON	/	/
9-52 VDC	41.6 W	800 mA	ON	ON	/	/
9-52 VDC	44.2 W	850 mA	/	/	ON	/
9-52 VDC	46.8 W	900 mA	ON	/	ON	/
9-52 VDC	49.4 W	950 mA	/	ON	ON	/
9-52 VDC	52 W	1000 mA	ON	ON	ON	/
9-52 VDC	54.6 W	1050 mA	/	/	/	ON
9-52 VDC	57.2 W	1100 mA	ON	/	/	ON
9-52 VDC	59.8 W	1150 mA	/	ON	/	ON
9-50 VDC	60 W	1200 mA	ON	ON	/	ON
9-48 VDC	60 W	1250 mA	/	/	ON	ON
9-46 VDC	59.8 W	1300 mA	ON	ON	/	ON
9-44 VDC	59.4 W	1350 mA	/	ON	ON	ON
9-43 VDC	60.2 W	1400 mA	ON	ON	ON	ON



FLS-25-700 DALI2 LS1  
FLS-44-1050 DALI2 LS1  
FLS-60-1400 DALI2 LS1

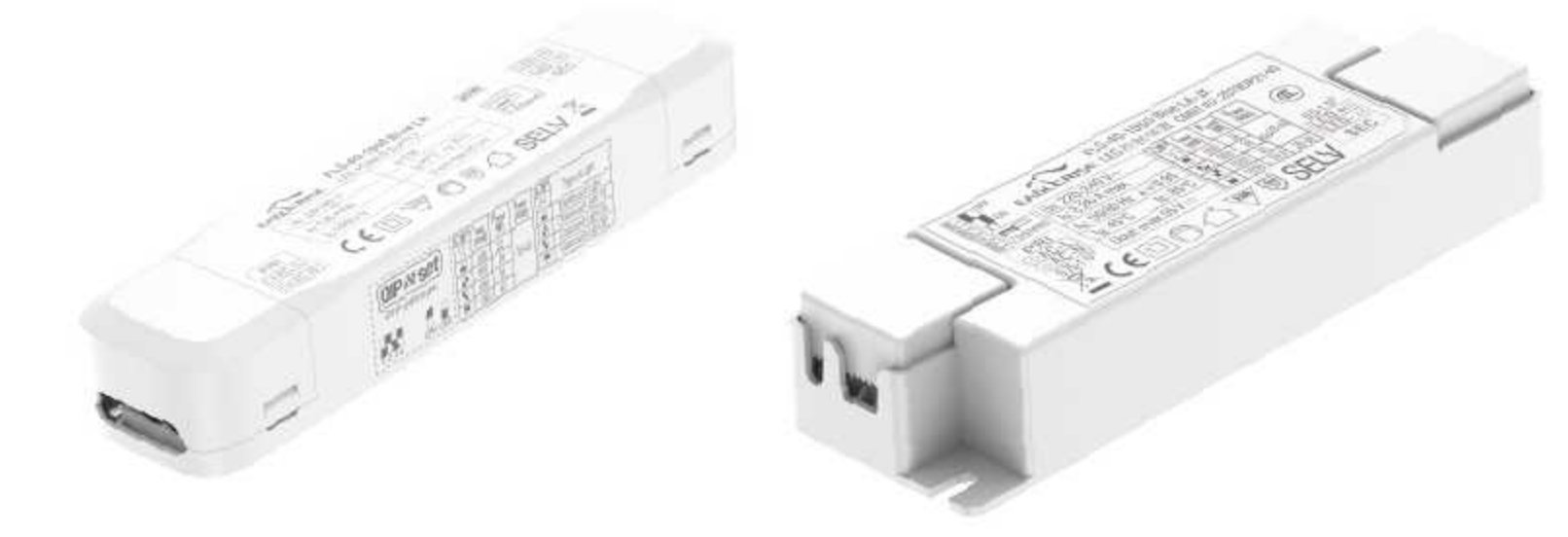
Factory Default

# Compact-Bluetooth Series 40W

## Bluetooth Dimming LED Driver

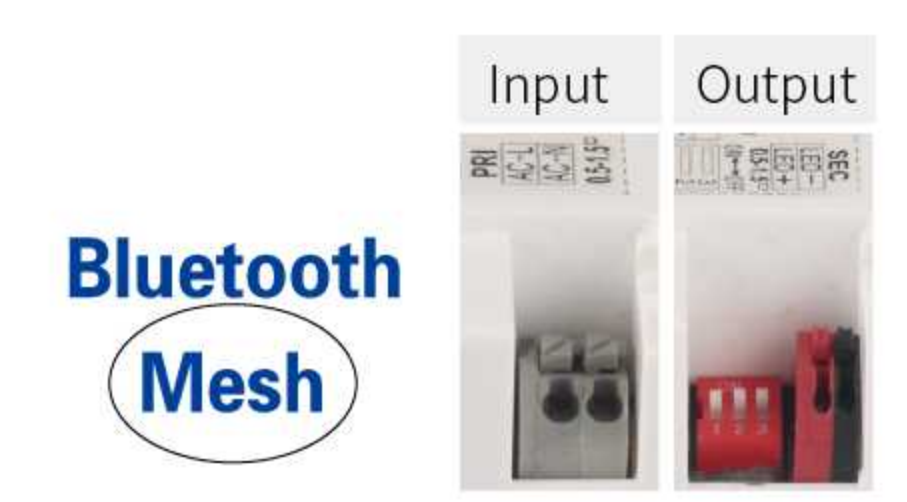
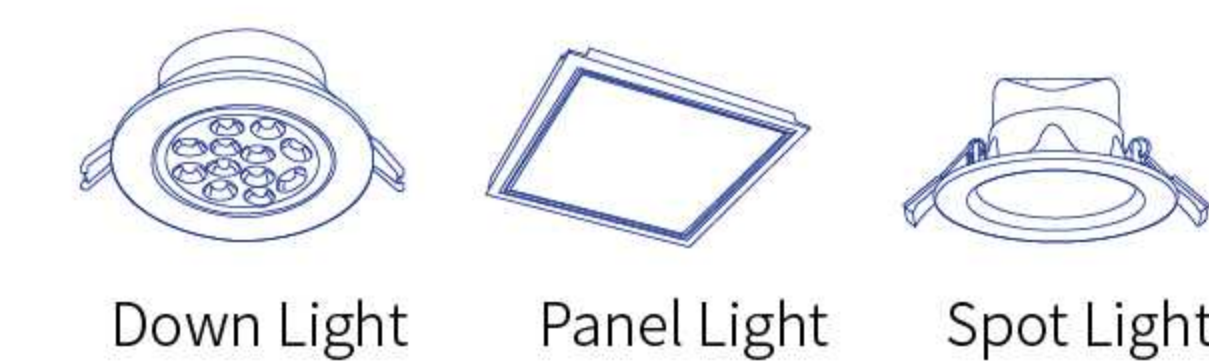


- Installation: Independent/ Build in
- Class II, Isolated
- Protection: SCP/ OLP/ OVP/ OTP
- Warranty: 5 Years
- Flicker free
- Dimming depth 1%, dimming range 1% to 100%



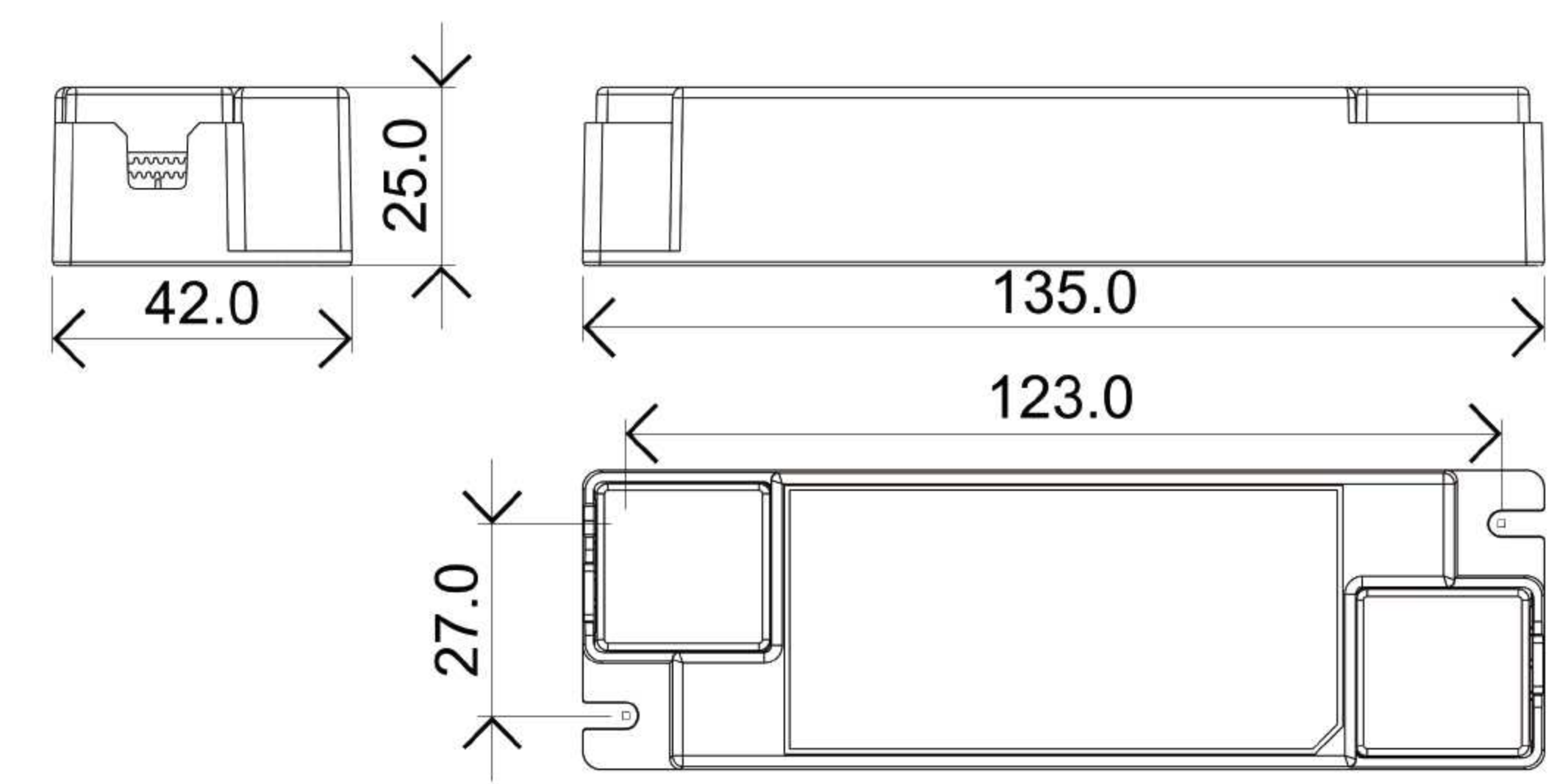
FLS-40-1000 Blue LA      FLS-40-1050 Blue LA-JX

Typical Applications:

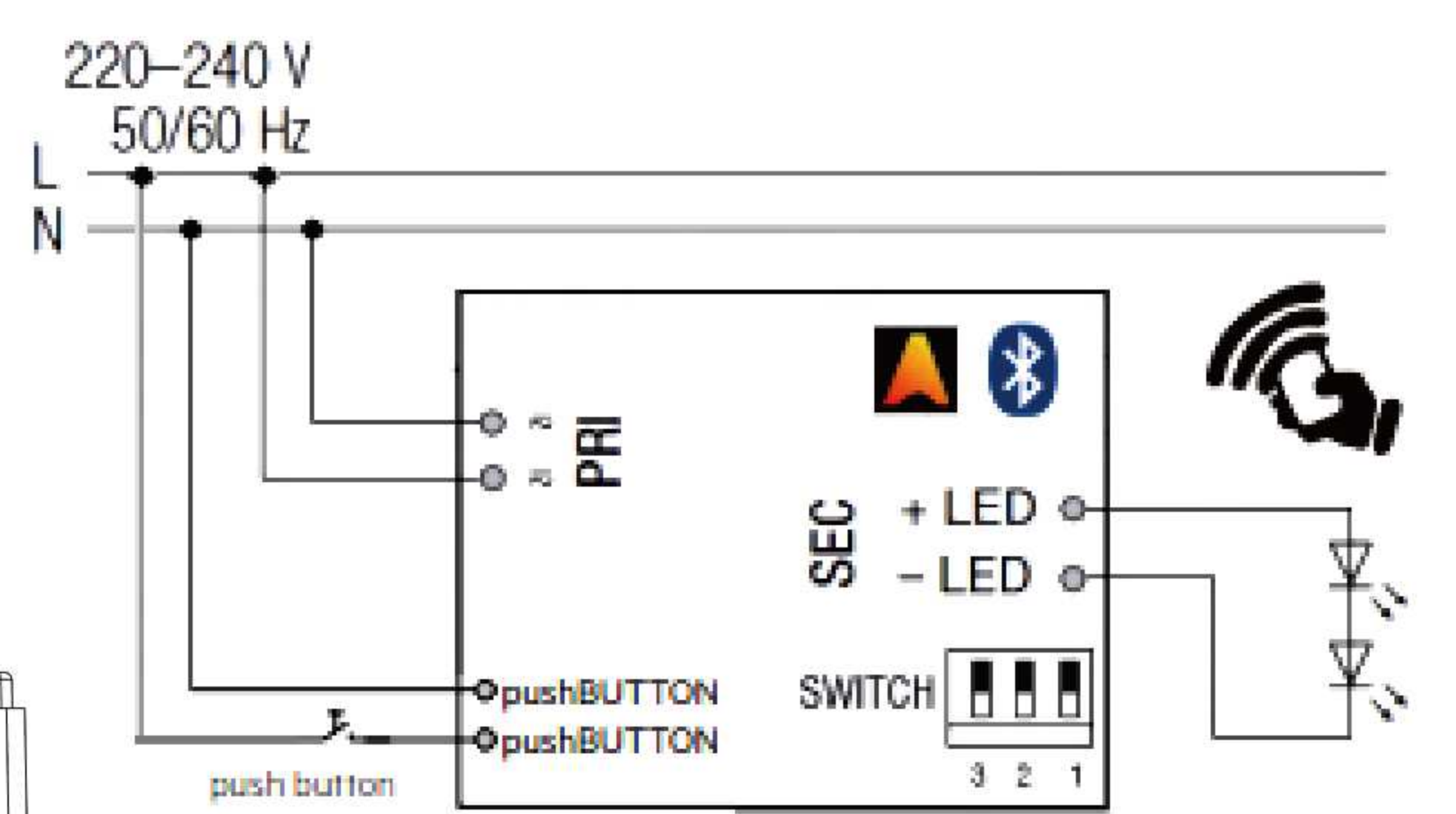


Best Seller	Size (L*W*H)	Output	THD	Typical Efficiency	No-load Power	Inrush Current	Ta, Tc	Certification
FLS-40-1000 Blue LA	187*45*30.5	40W/ 800-1000mA/ 24-40VDC	<10%	≥87%	≤0.5W	30A	45°C/75°C	CCC
FLS-40-1050 Blue LA-JX	135*42*25	40W/ 900-1050mA/ 28-40VDC	<10%	≥87%	≤0.5W	30A	45°C/85°C	CCC

Ac Input Voltage Range	220-240 VAC 50/60 Hz
Start-up Time	<0.5 s
Hold-up Time	1 s max
Withstand Voltage	Input-Output 3750 V/ 5 mA/ 1 min
Safety Standards	IEC/ EN61347-1, IEC/ EN61347-2-13
EMC Standards	EN55015, EN61000-3-2, EN61000-3-3, EN61547



FLS-40-1000 Blue LA



# Compact-Zigbee Series40W Zigbee Dimming LED Driver



- Installation: Independent/ Build in
- Class II, Isolated
- Protection: SCP/ OLP/ OVP/ OTP
- Warranty: 5 Years
- Flicker free
- Dimming depth 1%, dimming range 1% to 100%

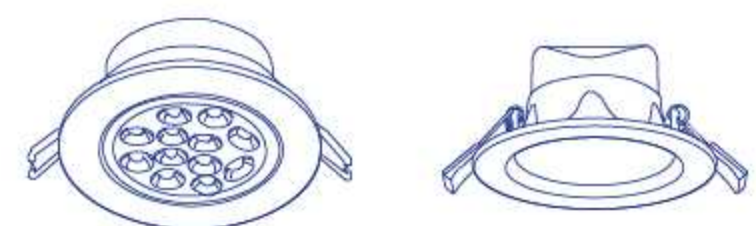


FLS-40-1000 Zigb LA

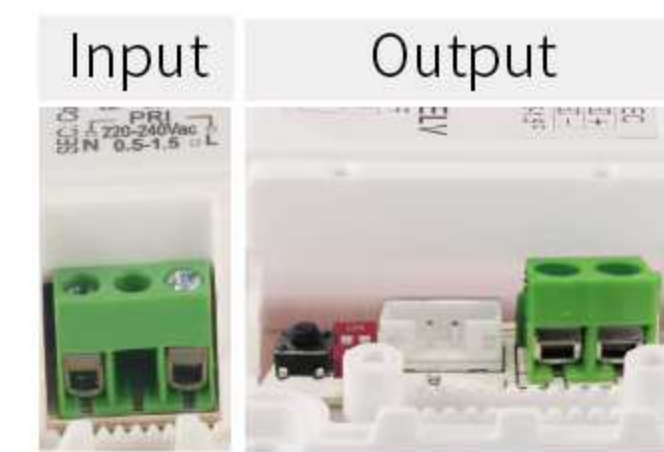


Sen-CI-Zigbee3-A

## Typical Applications:



Down Light Ceiling Light

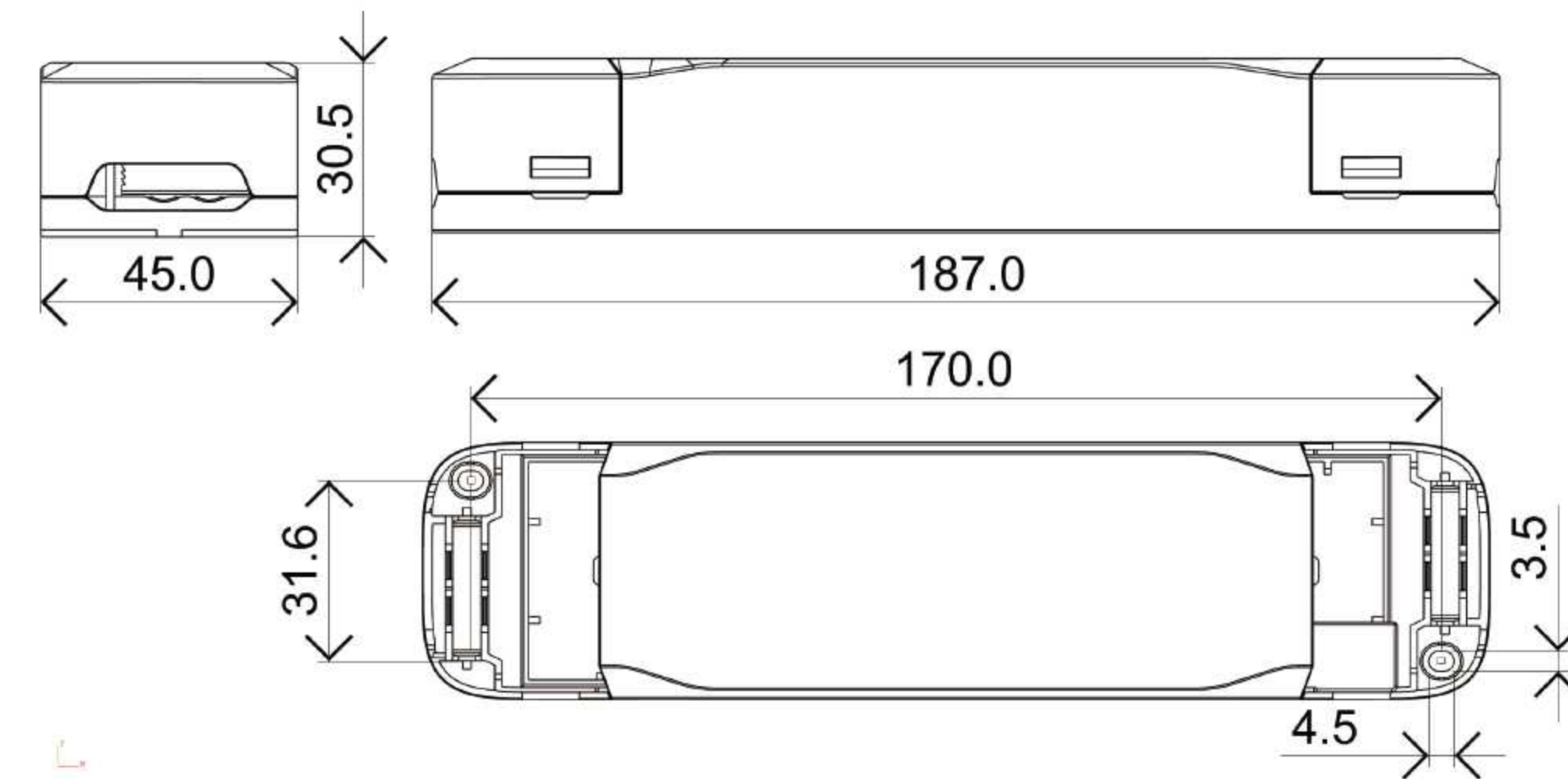
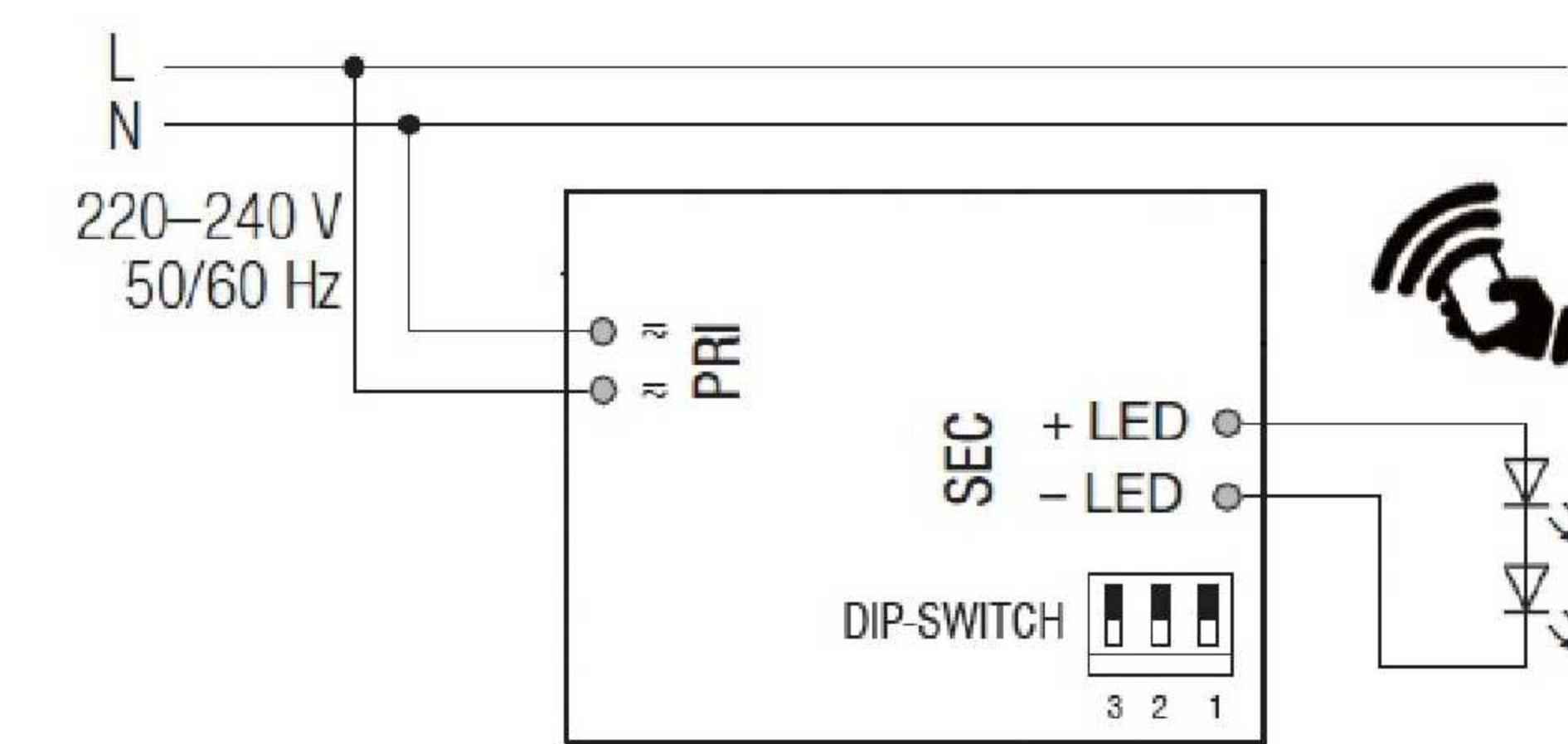


Best Seller	Size (L*W*H)	Output	THD	Typical Efficiency	No-load Power	Inrush Current	Ta, Tc	Certification
FLS-40-1000 Zigb LA	187*45*30.5	40W/ 700-1000mA/ 30-42VDC	<15%	≥86%	≤0.5W	30A	45°C/85°C	CCC
Sen-CI-Zigbee3-A	35*23*21.5						45°C/85°C	

Ac Input Voltage Range	220-240 VAC 50/60 Hz
Start-up Time	<1.5 s
Hold-up Time	1 s max
Withstand Voltage	Input-Output 3750 V/ 5 mA/ 1 min
Safety Standards	EN61347-1, EN61347-2-13, GB19510.1, GB19510.14
EMC Standards	EN55015, EN61000-3-2, EN61000-3-3, EN61547, GB/T 17743, GB17625.1

Vo	Po	Io	1	2
30-42 VDC	29.4 W	700 mA	ON	ON
30-42 VDC	33.6 W	800 mA	/	ON
30-42 VDC	37.8 W	900 mA	ON	/
30-42 VDC	40 W	1000 mA	/	/

Factory Default

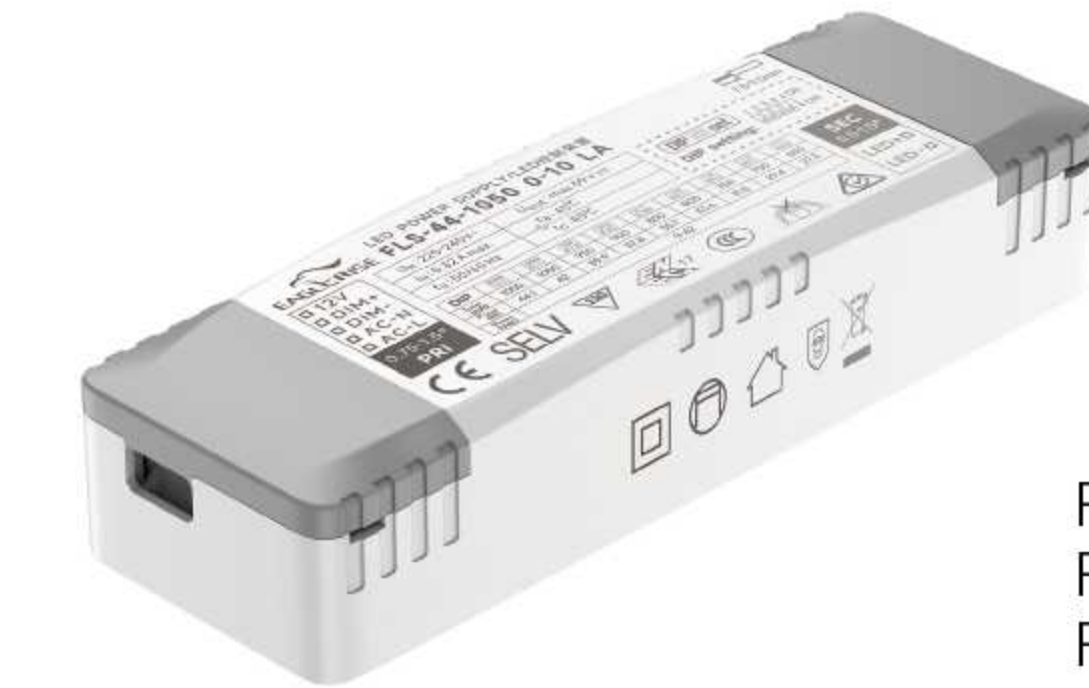


FLS-40-1000 Zigb LA

# Compact-0-10V Series 15-44W 0-10V Dimming LED Driver

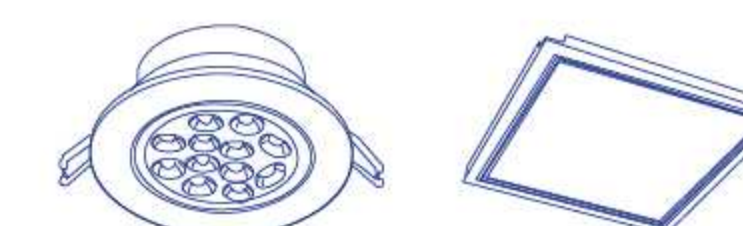


- Installation: Independent
- Class II, Isolated
- Protection: SCP/ OLP/ OVP
- Warranty: 5 Years
- Flicker free
- Adjustable output current with dip switch
- Dimming depth 1%, dimming range 5% to 100%
- Built-in 12W auxiliary power supply
- Dimmer port isolation
- Compatible dimmer in Page 37

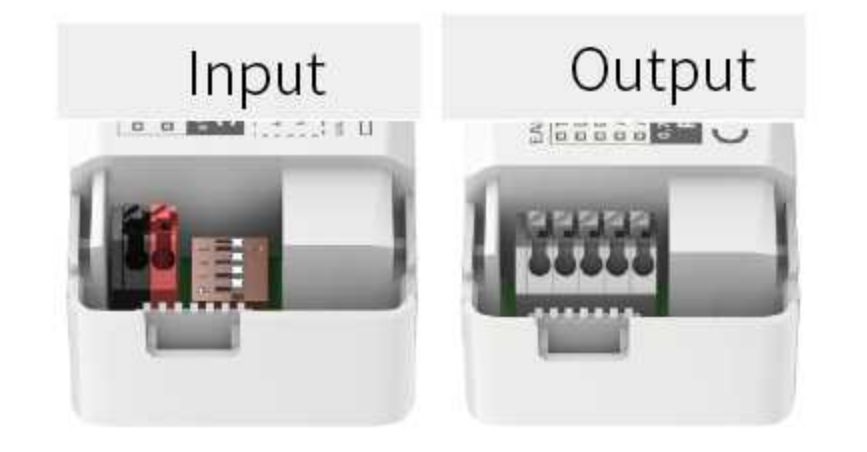


FLS-15-350 0-10 LA  
FLS-25-600 0-10 LA  
FLS-44-1050 0-10 LA  
FLS-60-1700 0-10 LA

## Typical Applications:

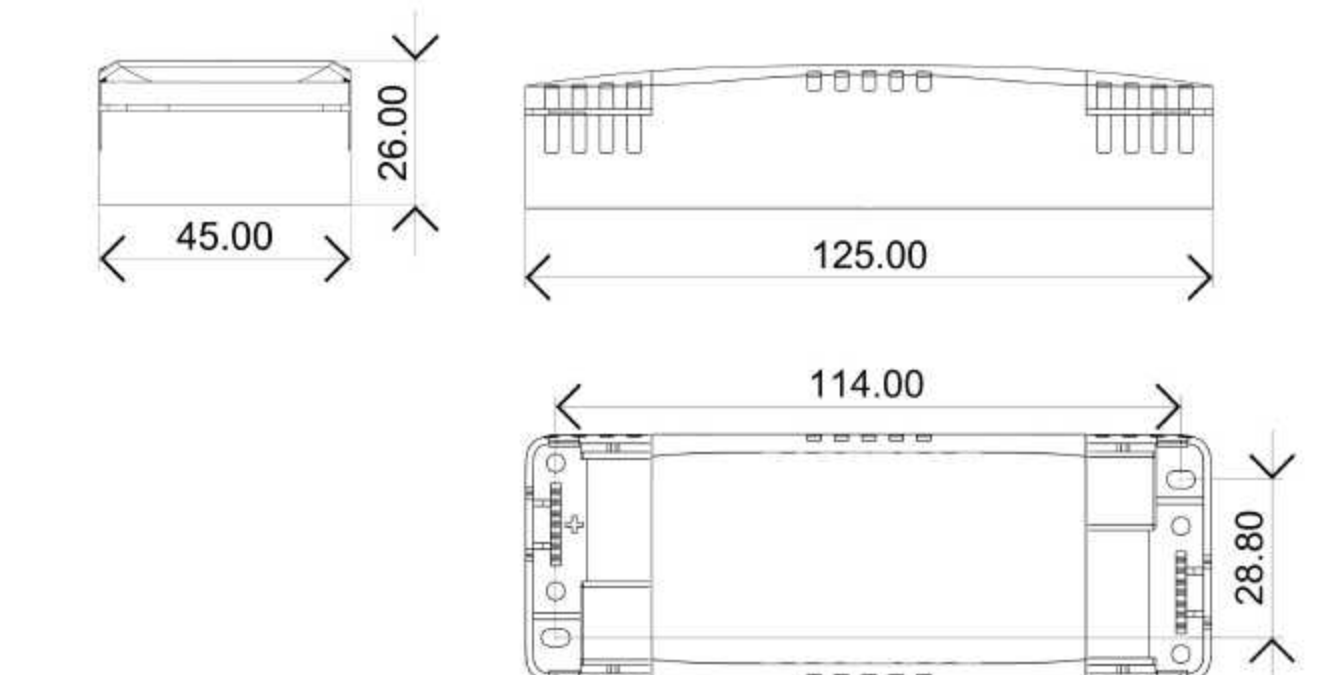


Down Light Panel Light



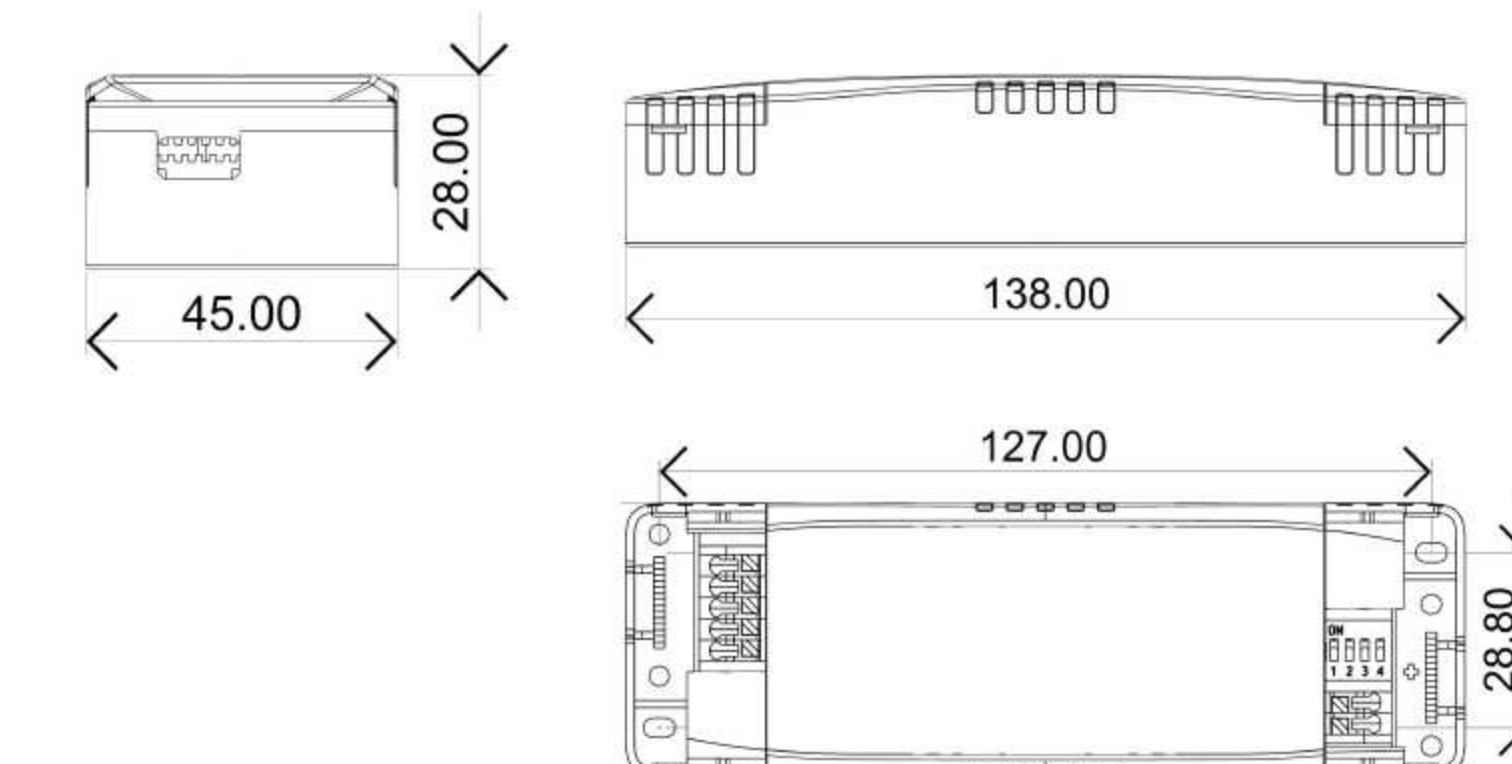
Best Seller	Size (L*W*H)	Output	THD	Typical Efficiency	No-load Power	Inrush Current	Ta, Tc	Certification
FLS-15-350 0-10 LA	125*45*26	15W/ 120-350mA/ 9-42VDC	<10%	≥80%	≤0.5W	20A	45°C/85°C	CCC/ ENEC/ CE/ CB
FLS-25-600 0-10 LA	125*45*26	25W/ 200-600mA/ 9-42VDC	<10%	≥84%	≤0.5W	20A	45°C/85°C	CCC/ ENEC/ CE/ CB
FLS-44-1050 0-10 LA	138*45*28	44W/ 650-1050mA/ 9-42VDC	<10%	≥85%	≤0.5W	20A	45°C/85°C	CCC/ ENEC/ CE/ CB
FLS-60-1700 0-10 LA	150*45*30	60W/ 1100-1700mA/ 12-42VDC	<10%	≥88%	≤0.5W	20A	45°C/85°C	CCC/ ENEC/ CE/ CB

Ac Input Voltage Range	220-240 VAC 50/60 Hz
Start-up Time	<0.5 s
Hold-up Time	1 s max
Withstand Voltage	Input-Output 3750 V/ 5 mA/ 1 min
Safety Standards	EN61347-1, EN61347-2-13, GB19510.1, GB19510.14, EN 62384
EMC Standards	EN55015, EN61000-3-2, EN61000-3-3, EN61547, GB17743, GB17625.1



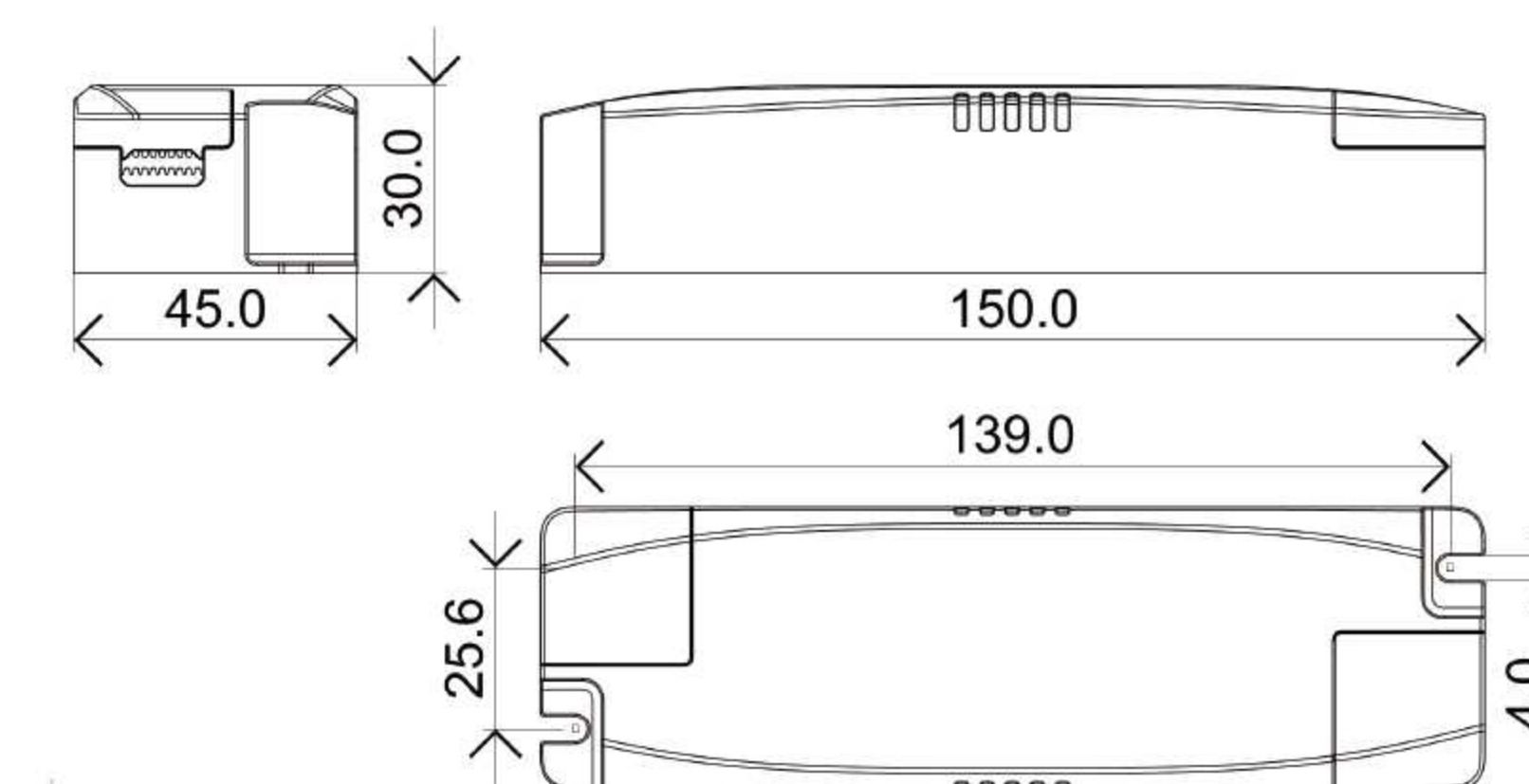
FLS-15-350 0-10 LA  
FLS-25-600 0-10 LA

FLS-15-350 0-10 LA						FLS-44-1050 0-10 LA							
Vo	Po	Io	1	2	3	4	Vo	Po	Io	1	2	3	4
9-42 VDC	5 W	120 mA	ON	/	/	/	9-42 VDC	27.3 W	650 mA	ON	ON	ON	/
9-42 VDC	6.3 W	150 mA	/	ON	/	/	9-42 VDC	29.4 W	700 mA	/	/	/	ON
9-42 VDC	7.56 W	180 mA	/	/	ON	/	9-42 VDC	31.5 W	750 mA	ON	/	/	ON
9-42 VDC	8.4 W	200 mA	/	/	/	ON	9-42 VDC	33.6 W	800 mA	/	ON	/	ON
9-42 VDC	9.24 W	220 mA	ON	/	/	ON	9-42 VDC	35.7 W	850 mA	ON	ON	/	ON
9-42 VDC	10.5 W	250 mA	/	ON	/	ON	9-42 VDC	37.8 W	900 mA	/	/	ON	ON
9-42 VDC	12.6 W	300 mA	ON	/	ON	ON	9-42 VDC	39.9 W	950 mA	ON	/	ON	ON
9-42 VDC	14.7 W	350 mA	ON	ON	ON	ON	9-42 VDC	42 W	1000 mA	/	ON	ON	ON
							9-42 VDC	44.1 W	1050 mA	ON	ON	ON	ON



FLS-44-1050 0-10 LA

FLS-25-600 0-10 LA						FLS-60-1700 0-10 LA							
Vo	Po	Io	1	2	3	4	Vo	Po	Io	1	2	3	4
9-42 VDC	8.4 W	200 mA	/	/	/	/	12-42 VDC	46.2 W	1100 mA	/	/	/	/
9-42 VDC	10.5 W	250 mA	/	/	/	ON	12-42 VDC	48.3 W	1150 mA	/	/	/	ON
9-42 VDC	12.6 W	300 mA	/	/	ON	/	12-42 VDC	50.4 W	1200 mA	/	/	ON	/
9-42 VDC	14.7 W	350 mA	/	/	/	ON	12-42 VDC	52.5 W	1250 mA	/	/	ON	ON
9-42 VDC	16.8 W	400 mA	/	ON	/	/	12-42 VDC	54.6 W	1300 mA	/	ON	/	/
9-42 VDC	18.9 W	450 mA	/	ON	/	ON	12-42 VDC	56.7 W	1350 mA	/	ON	/	ON
9-42 VDC	21 W	500 mA	/	ON	ON	/	12-42 VDC	58.8 W	1400 mA	/	ON	ON	/
9-42 VDC	23.1 W	550 mA	/	ON	ON	ON	12-41 VDC	59.5 W	1450 mA	/	ON	ON	ON
9-42 VDC	25.2 W	600 mA	ON	ON	ON	ON	12-40 VDC	60 W	1500 mA	ON	/	ON	ON
							12-38.7 VDC	60 W	1550 mA	ON	ON	/	/
							12-37.5 VDC	60 W	1600 mA	ON	ON	ON	/
							12-36 VDC	59.4 W	1650 mA	ON	ON	ON	/
							12-36 VDC	61.2 W	1700 mA	ON	ON	ON	ON



FLS-60-1700 0-10 LA

Factory Default

# Compact-Triac Series 6-15W

## Triac Dimming LED Driver



- Installation: Independent/ Build in
- Class II, Isolated
- Protection: SCP/ OLP/ OVP/ OTP
- Warranty: 5 Years
- Flicker free
- Dimming depth 1%, dimming range 1% to 100%
- Support Leading edge (TRIAC) and Trailing edge (ELV)



LS-6-\*\*\* TRIAC LI  
LS-9-\*\*\* TRIAC LI

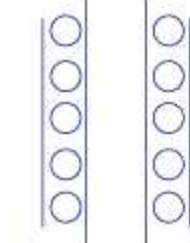


LS-12-\*\*\* TRIAC LI  
LS-15-\*\*\* TRIAC LI

Typical Applications:



Down Light

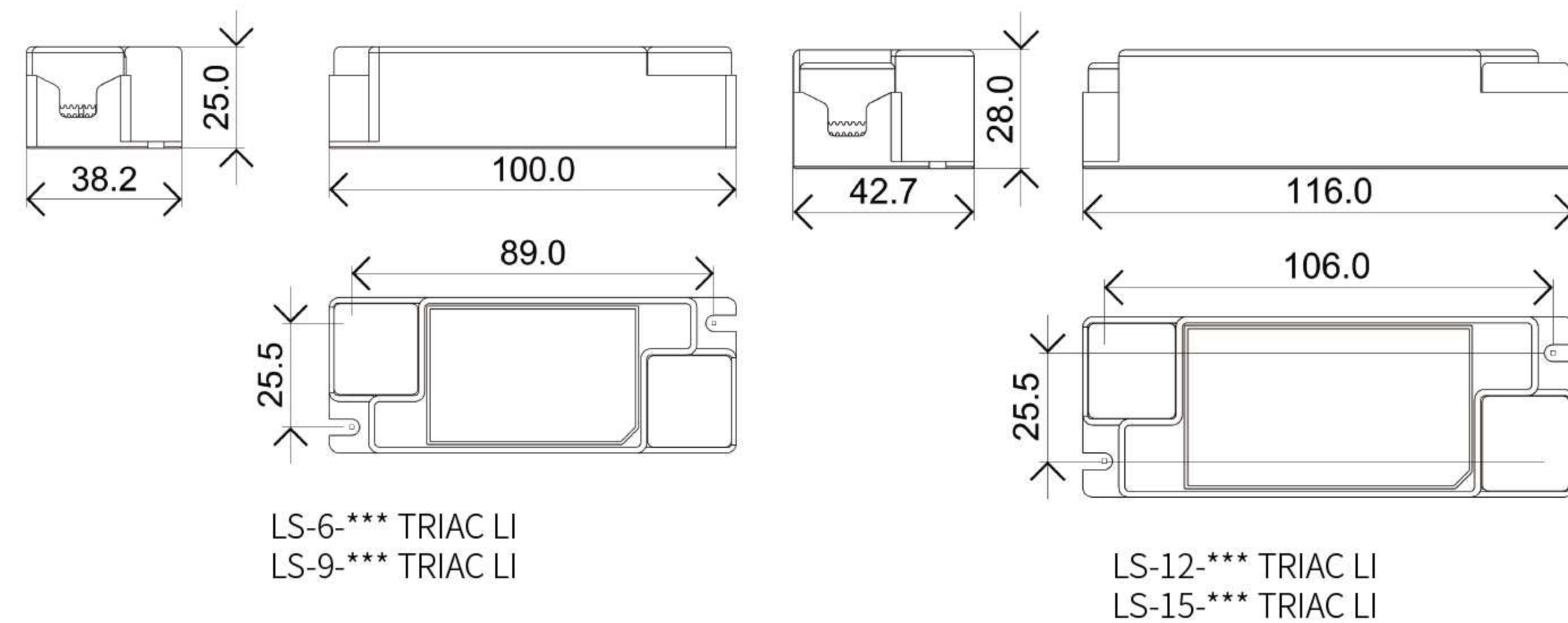


Pendant Light



Best Seller	Size (L*W*H)	Output	Typical Efficiency	No-load Power	Inrush Current	Ta, Tc	Certification
LS-6-150 TRIAC LI LS-6-350 TRIAC LI	100*38*25	6W/ 150mA/ 27-42VDC 6W/ 350mA/ 12-17VDC	≥74%	≤1W	10A	50°C/75°C	CB/ CE/ CCC/RCM/ ENEC
LS-9-200 TRIAC LI LS-9-350 TRIAC LI LS-9-500 TRIAC LI	100*38*25	9W/ 200mA/ 27-42VDC 9W/ 350mA/ 12-17VDC 9W/ 500mA/ 12-19VDC	≥76%	≤1W	10A	50°C/75°C	CB/ CE/ CCC/RCM/ ENEC
LS-12-250 TRIAC LI LS-12-300 TRIAC LI	116*42.5*28	12W/ 250mA/ 32-48VDC 12W/ 300mA/ 26-40VDC	≥82%	≤1W	10A	50°C/80°C	CB/ CE/ CCC/RCM/ ENEC
LS-15-300 TRIAC LI LS-15-350 TRIAC LI LS-15-700 TRIAC LI	116*42.5*28	15W/ 300mA/ 35-50VDC 15W/ 350mA/ 27-42VDC 15W/ 700mA/ 14-22VDC	≥82%	≤1W	10A	50°C/80°C	CB/ CE/ CCC/RCM/ ENEC

Ac Input Voltage Range	220-240 VAC 50/60 Hz
Start-up Time	<0.5 s
Hold-up Time	1 s max
Withstand Voltage	Input-Output 3750 V/ 5 mA/ 1 min
Safety Standards	IEC/EN61347-1, IEC/EN61347-2-13, EN 62384, AS/NZS 61347.1, AS61347.2.13
EMC Standards	EN55015, EN61000-3-2 Class C, EN61000-3-3, EN61547



### Eaglerise TRIAC driver adaptive dimming type

NO.	Dimmer Type	Trade Mark
1	2250	Busch
2	225TDE	Jung
3	400T	Legrand
4	5TC8 284	Siemens
5	0307 00/102	GIRA
6	5771	Mertem
7	2247U	Busch
8	6513U-102	Busch
9	32E450LM	CLIPSAL
10	0307 00/101	GIRA

NO.	Dimming System Type	Trade Mark
1	LQSE-4A1-D	LUTRON
	HQP6-2	LUTRON
	HQWIS-NB-NONE	LUTRON
2	MTN649315	Schneider
	MTN6725-0003	Schneider
	MTN684032	Schneider
	MTN628319	Schneider

# Compact-Triac Series 20-50W

## Triac Dimming LED Driver



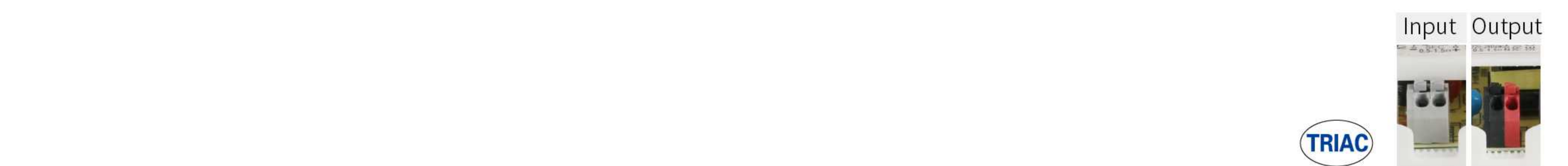
- Installation: Independent/ Build in
- Class II, Isolated
- Protection: SCP/ OLP/ OVP/ OTP
- Warranty: 5 Years
- Flicker free
- Dimming depth 1%, dimming range 1% to 100%
- Support Leading edge (TRIAC) and Trailing edge (ELV)



LS-20-\*\*\* TRIAC LI

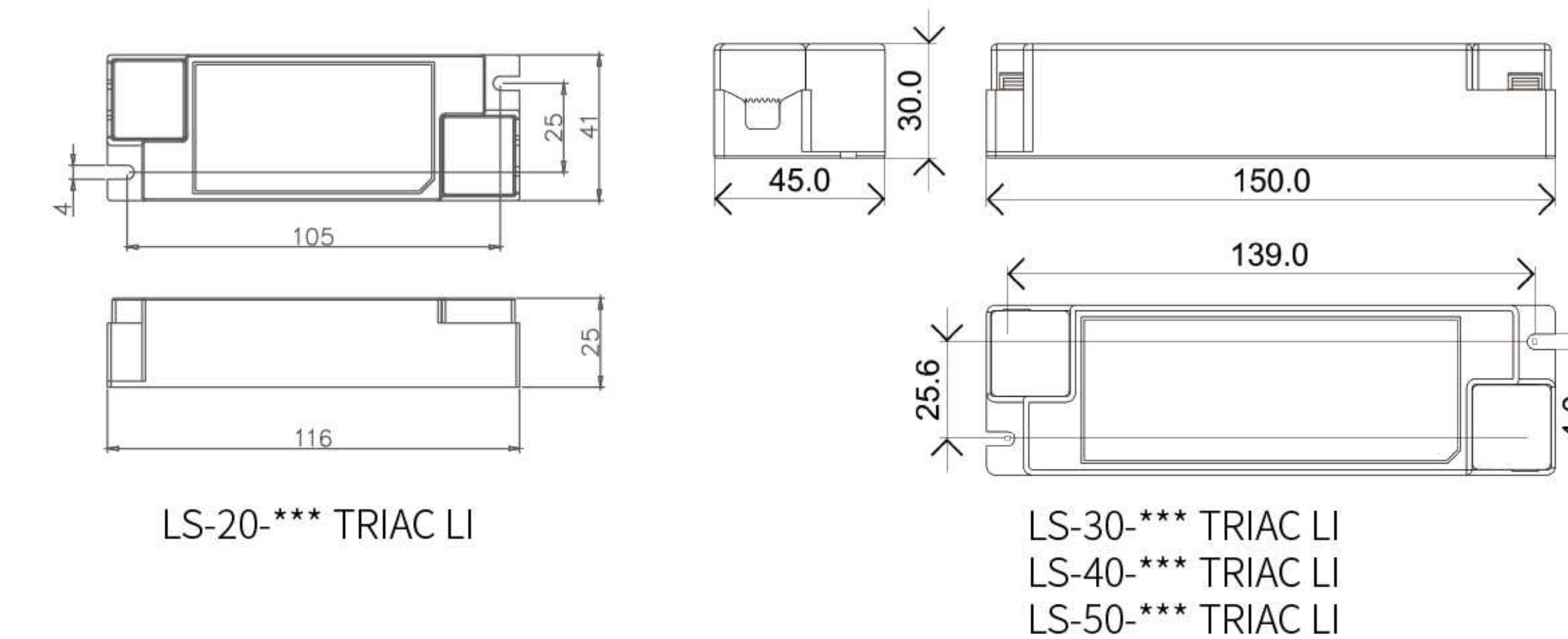


LS-30-\*\*\* TRIAC LI  
LS-40-\*\*\* TRIAC LI  
LS-50-\*\*\* TRIAC LI



Best Seller	Size (L*W*H)	Output	Typical Efficiency	No-load Power	Inrush Current	Ta, Tc	Certification
LS-20-300 TRIAC LI LS-20-350 TRIAC LI LS-20-500 TRIAC LI LS-20-700 TRIAC LI	116*42.5*28	20W/ 300mA/ 50-68VDC 20W/ 350mA/ 40-60VDC 20W/ 500mA/ 27-42VDC 20W/ 700mA/ 20-30VDC	≥83%	≤1W	10A	50°C/80°C	CB/ CE/ CCC/RCM/ ENEC
LS-30-600 TRIAC LI LS-30-700 TRIAC LI	150*45*30	30W/ 600mA/ 48-72VDC 30W/ 700mA/ 30-48VDC	≥86%	≤1W	30A	45°C/70°C	CB/ CE/ CCC/RCM/ ENEC
LS-40-700 TRIAC LI LS-40-900 TRIAC LI LS-40-1050 TRIAC LI	150*45*30	40W/ 700mA/ 36-54VDC 40W/ 900mA/ 27-42VDC 40W/ 1050mA/ 27-40VDC	≥87%	≤1W	30A	45°C/75°C	CB/ CE/ CCC/RCM/ ENEC
LS-50-700 TRIAC LI LS-50-1050 TRIAC LI LS-50-1200 TRIAC LI	150*45*30	50W/ 700mA/ 48-72VDC 50W/ 1050mA/ 30-48VDC 50W/ 1200mA/ 27-42VDC	≥87%	≤1W	30A	45°C/85°C	CB/ CE/ CCC/RCM/ ENEC

Ac Input Voltage Range	220-240 VAC 50/60 Hz
Start-up Time	<0.5 s
Hold-up Time	1 s max
Withstand Voltage	Input-Output 3750 V/ 5 mA/ 1 min
Safety Standards	IEC/EN61347-1, IEC/EN61347-2-13, EN 62384, AS/NZS 61347.1, AS61347.2.13
EMC Standards	EN55015, EN61000-3-2 Class C, EN61000-3-3, EN61547



### Eaglerise TRIAC driver adaptive dimming type

NO.	Dimmer Type	Trade Mark
1	2250	Busch
2	225TDE	Jung
3	400T	Legrand
4	5TC8 284	Siemens
5	0307 00/102	GIRA
6	5771	Mertem
7	2247U	Busch
8	6513U-102	Busch
9	32E450LM	CLIPSAL
10	0307 00/101	GIRA

NO.	Dimming System Type	Trade Mark
1	LQSE-4A1-D	LUTRON
	HQP6-2	LUTRON
	HQWIS-NB-NONE	LUTRON
2	MTN649315	Schneider
	MTN6725-0003	Schneider
	MTN684032	Schneider
	MTN628319	Schneider

# LED DRIVER

## Intelligent LED Driver - Mini

### Mini-DALI-2 Series 8-60W

#### DALI-2 Dimming LED Driver



- Build in/ Independent with end-caps
- Class II, Isolated
- Protection: SCP/ OLP/ OVP/ OTP
- Adjustable output current with dip switch
- Warranty: 5 Years
- Flicker Free
- Dimming depth 1 %, dimming range 1% to 100%
- Customizable logarithmic curve, linear dimming curve
- Support Push/ Touch DIM function, can be dimmed manually
- Available accessories: Side caps, need to purchase separately (P75)



FLS-8-350 DALI-2 LD

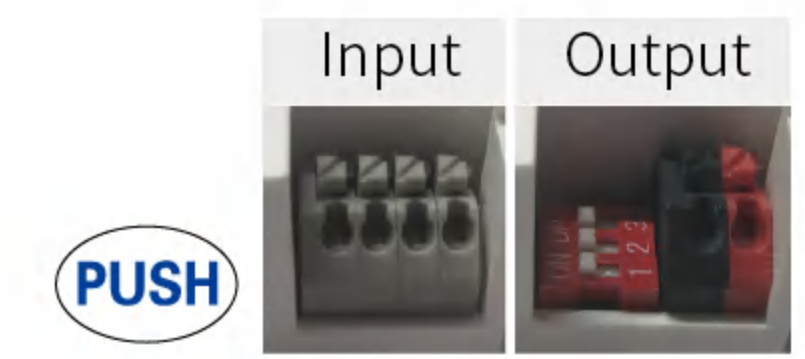
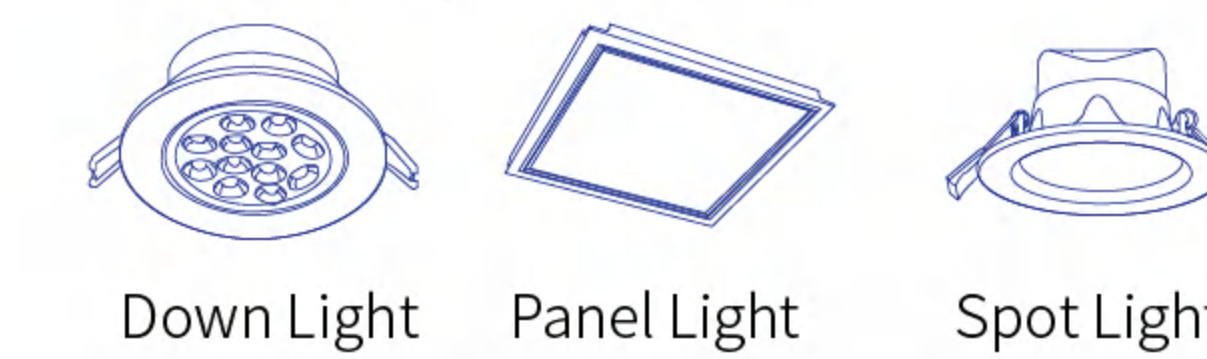


FLS-12-350 DALI2 LD



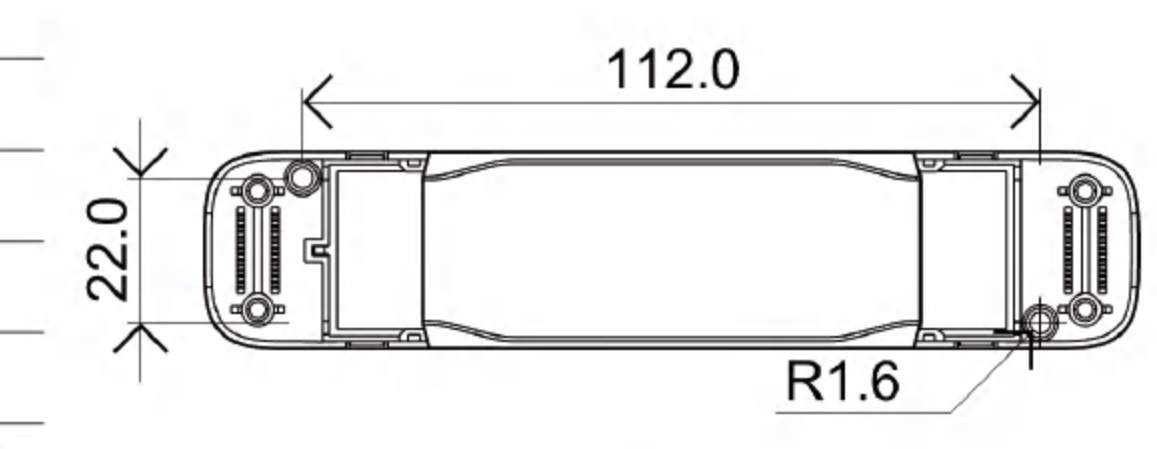
FSS-60-1400 DALI2 LD1

Typical Applications:

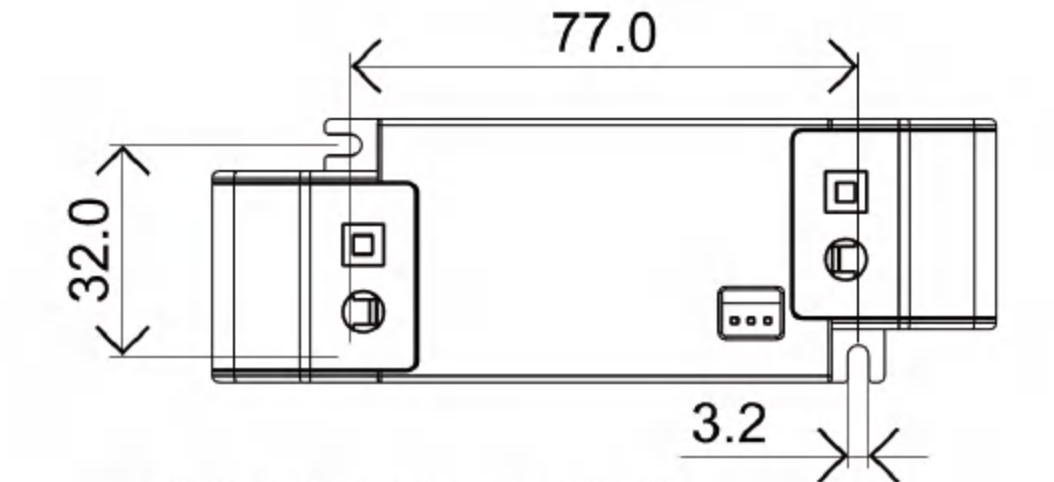


Best Seller	Size (L*W*H)	Output	THD	Typical Efficiency	No-load Power	Inrush Current	Ta, Tc	Certification
FLS-8-350 DALI-2 LD	142*30*20	8W/ 120-350mA/ 9-42VDC	<10%	>80%	≤0.5W	30A	50°C/ 75°C	CE/ CB/ ENEC/CCC EL/ RCM
FLS-12-350 DALI2 LD	85*40*21.5	12W/ 120-350mA/ 9-42VDC	<10%	>82%	≤0.5W	30A	50°C/ 80°C	CE/ CB/ ENEC/CCC EL/ RCM
FSS-60-1400 DALI2 LD1	110*74*30	60W/ 700-1400mA/ 9-52VDC	<10%	>86%	≤0.5W	30A	50°C/ 90°C	CE/ CB/ ENEC/CCC EL/ RCM

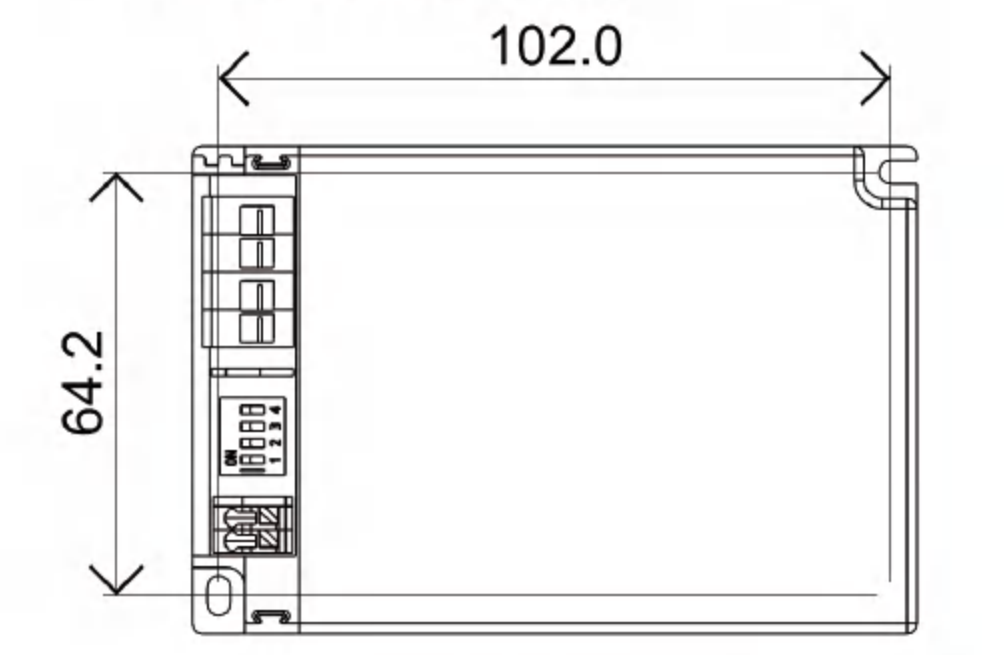
Ac Input Voltage Range	220-240 VAC 50/60 Hz
Start-up Time	<0.7 s
Hold-up Time	1 s max
Withstand Voltage	Input-Output 3750 V/ 5 mA/ 1 min
Safety Standards	IEC/ EN61347-1, IEC/ EN61347-2-13, EN62384
EMC Standards	EN55015, EN61000-3-2, EN61000-3-3, EN61547



FLS-8-350 DALI-2 LD



FLS-12-350 DALI2 LD



FSS-60-1400 DALI2 LD1

#### FLS-8-350 DALI-2 LD

Vo	Po	Io	1	2	3
5-42 VDC	5.04 W	120 mA	/	/	/
5-42 VDC	6.3 W	150 mA	ON	/	/
5-42 VDC	7.56 W	180 mA	/	ON	/
5-42 VDC	8.4 W	200 mA	ON	ON	/
5-32 VDC	8 W	250 mA	/	/	ON
5-32 VDC	8.96 W	280 mA	ON	/	ON
5-27 VDC	8.1 W	300 mA	/	ON	ON
5-24 VDC	8.4 W	350 mA	ON	ON	ON

#### FSS-60-1400 DALI2 LD1

Vo	Po	Io	4	3	2	1
9-52 VDC	36.4 W	700 mA	/	/	/	ON
9-52 VDC	39 W	750 mA	/	/	ON	/
9-52 VDC	41.6 W	800 mA	/	/	ON	ON
9-52 VDC	44.2 W	850 mA	/	ON	/	/
9-52 VDC	46.8 W	900 mA	/	ON	/	ON
9-52 VDC	49.6 W	950 mA	/	ON	ON	/
9-52 VDC	52 W	1000 mA	/	ON	ON	ON
9-52 VDC	54.6 W	1050 mA	ON	/	/	/
9-52 VDC	57.2 W	1100 mA	ON	/	/	ON
9-52 VDC	59.8 W	1150 mA	ON	/	ON	/
9-50 VDC	60 W	1200 mA	ON	/	ON	ON
9-48 VDC	60 W	1250 mA	ON	ON	/	/
9-46 VDC	59.8 W	1300 mA	ON	ON	/	ON
9-44 VDC	59.4 W	1350 mA	ON	ON	ON	/
9-43 VDC	60.2 W	1400 mA	ON	ON	ON	ON

#### FLS-12-350 DALI2 LD

Vo	Po	Io	1	2	3
9-42 VDC	5.04 W	120 mA	/	/	/
9-42 VDC	6.3 W	150 mA	ON	/	/
9-42 VDC	7.56 W	180 mA	/	ON	/
9-42 VDC	8.4 W	200 mA	ON	ON	/
9-42 VDC	10.5 W	250 mA	/	/	ON
9-42 VDC	11.76 W	280 mA	ON	/	ON
9-42 VDC	12.6 W	300 mA	/	ON	ON
9-42 VDC	14.7 W	350 mA	ON	ON	ON

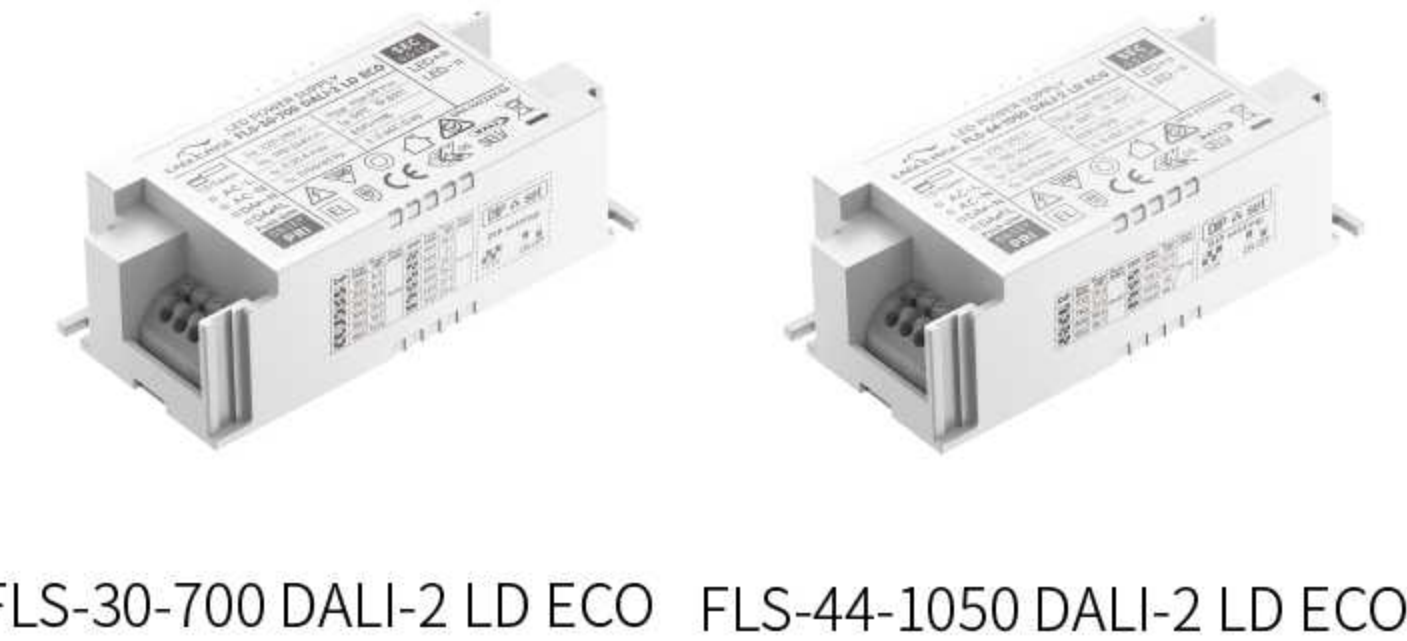
Factory Default

# Mini-DALI-2 Series 30-44W

## DALI-2 Dimming LED Driver

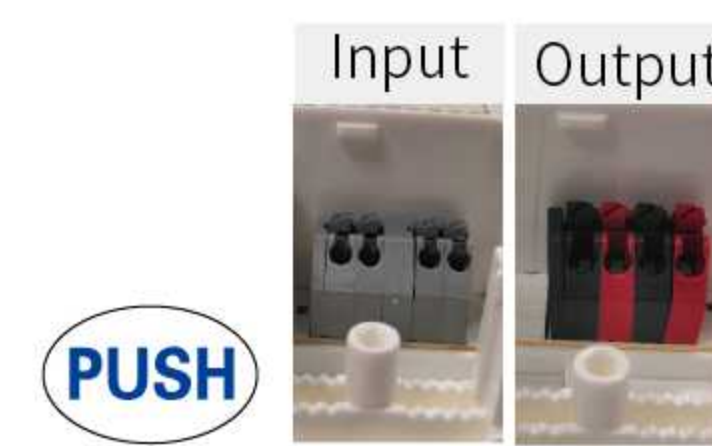


- Installation: Independent
- Class II, Isolated
- Protection: SCP/ OLP/ OVP/ OTP
- Warranty: 5 Years
- Flicker Free
- Dimming depth 1%, dimming range 1% to 100%
- Customizable logarithmic curve, linear dimming curve
- Support Push/Touch Dimming and can be dimmed manually
- Available accessories: Side caps, need to purchase separately (P75)



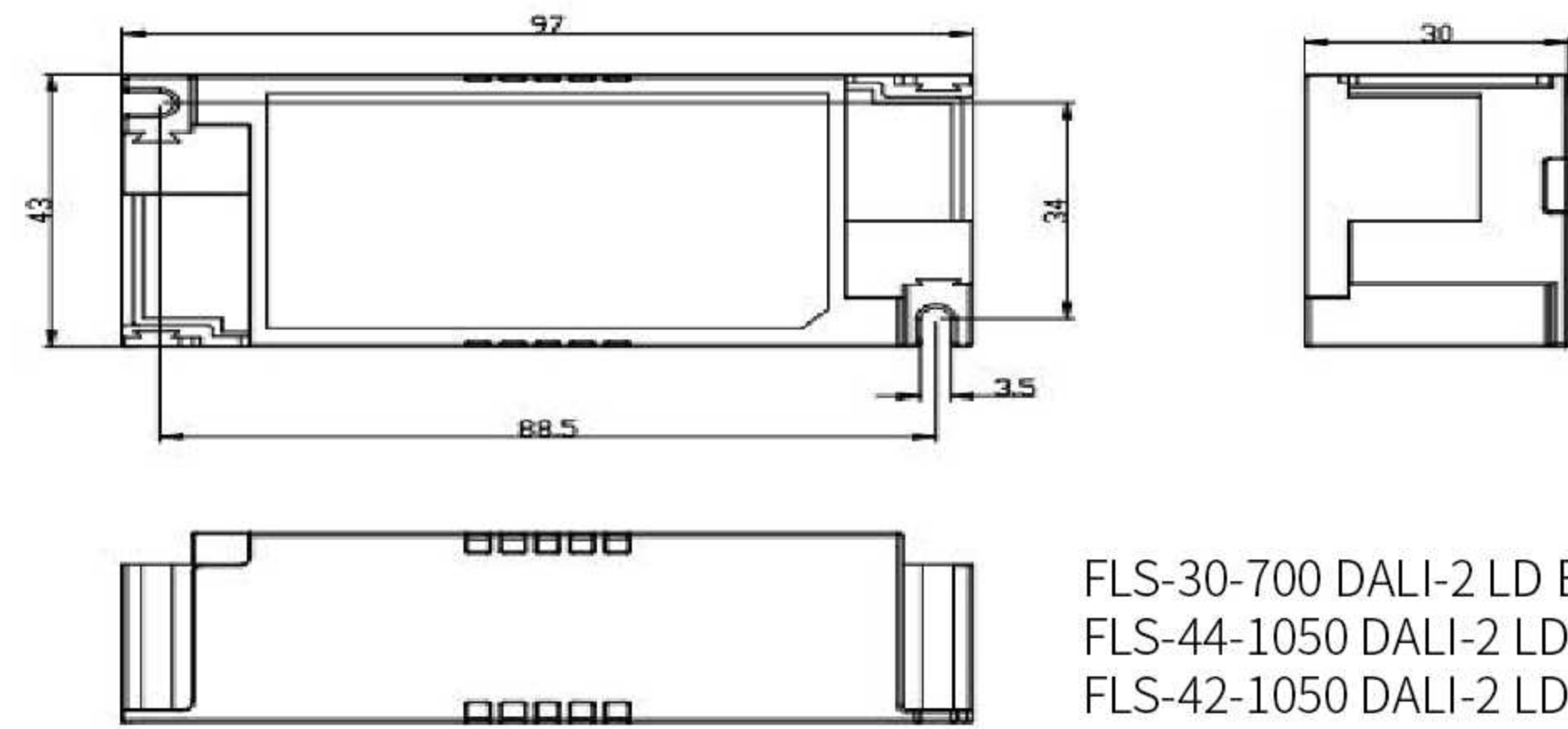
FLS-30-700 DALI-2 LD ECO FLS-44-1050 DALI-2 LD ECO

### Typical Applications:

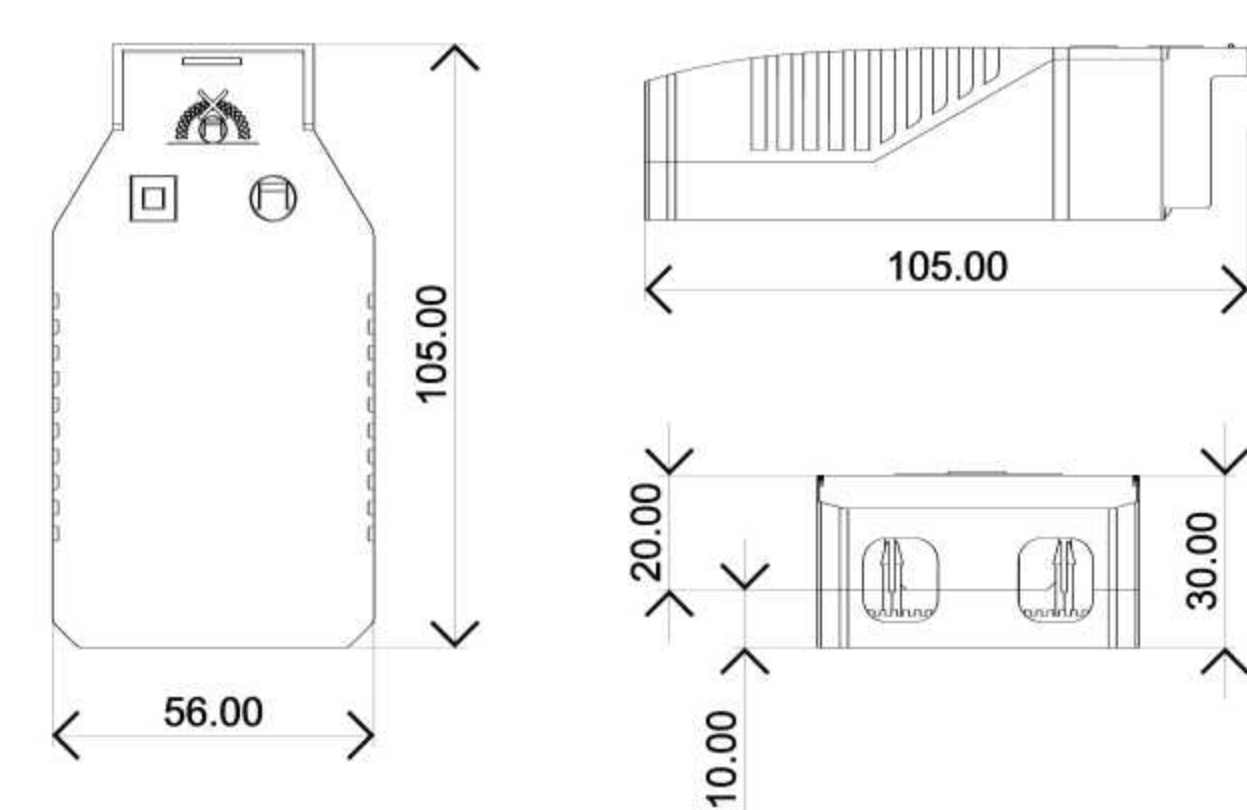


Best Seller	Size (L*W*H)	Output	THD	Typical Efficiency	No-load Power	Ta, Tc	Certification
FLS-30-700 DALI-2 LD ECO	97*43*30	30W/ 150-700mA/ 24-42VDC	≤6%	>87%	≤0.5W	50°C/ 80°C	CE/ CB/ ENEC/CCC EL/RCM
FLS-44-1050 DALI-2 LD ECO	97*43*30	44W/ 700-1050mA/ 24-42VDC	≤6%	>87%	≤0.5W	50°C/ 90°C	CE/ CB/ ENEC/CCC EL/RCM
FLS-42-1050 DALI-2 LD ADV	97*43*30	42W/ 150-1050mA/ 2.5-52VDC	<10%	>87%	≤0.5W	45°C/ 85°C	CE/ CB/ ENEC/CCC EL/RCM

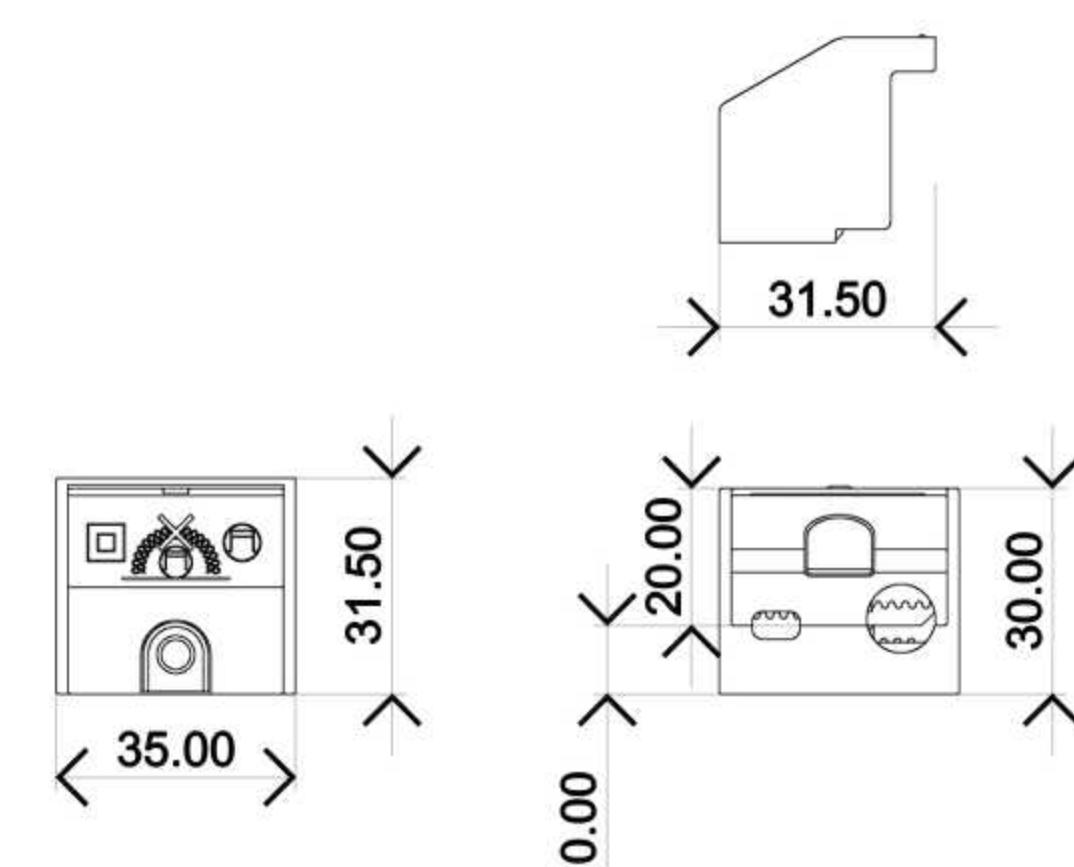
Ac Input Voltage Range	220-240 VAC 50/60 Hz
Start-up Time	<0.7 s
Hold-up Time	1 s max
Withstand Voltage	Input-Output 3750 V/ 5 mA/ 1 min
Safety Standards	IEC/ EN61347-1, IEC/ EN61347-2-13, EN62384
EMC Standards	EN55015, EN61000-3-2, EN61000-3-3, EN61547



FLS-30-700 DALI-2 LD ECO  
FLS-44-1050 DALI-2 LD ECO  
FLS-42-1050 DALI-2 LD ADV



Big Side Cap



Small Side Cap

# Mini-DT8 Series 26-44W

## DALI-2 Dimming LED Driver Turnable White

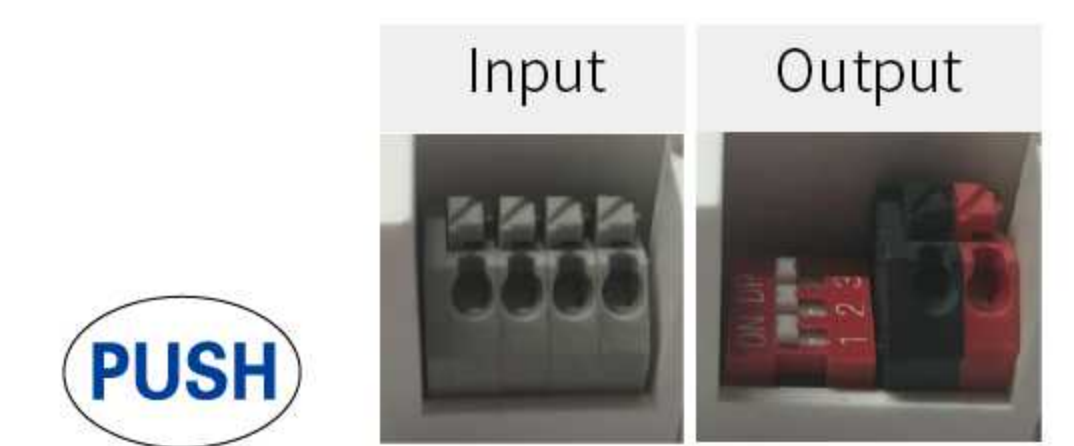


- Installation: Independent
- Class II, Isolated
- Protection: SCP/ OLP/ OVP/ OTP
- Warranty: 5 Years
- Flicker Free
- Dimming depth 1%, dimming range 1% to 100%
- Customizable logarithmic curve, linear dimming curve
- Support Push/Touch Dimming and can be dimmed manually
- Available accessories: Side caps, need to purchase separately (P75)



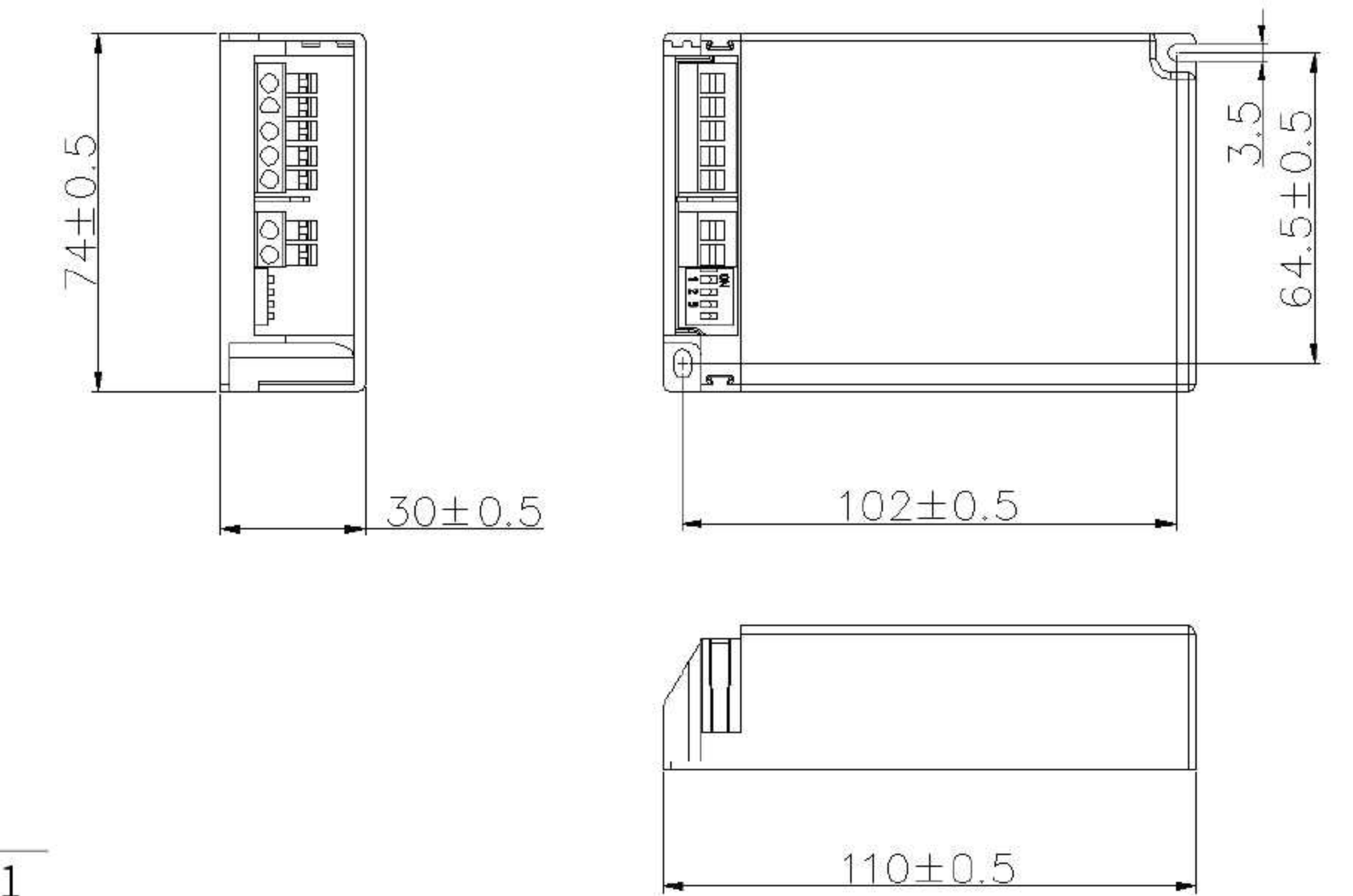
FLS-26-750 DALI2-DT8 LD  
FLS-44-1050 DALI2-DT8 LD

### Typical Applications:



Best Seller	Size (L*W*H)	Output	THD	Typical Efficiency	No-load Power	Inrush Current	Ta, Tc	Certification
FLS-26-700 DALI2-DT8 LD	110*74*30	26W/ 150-700mA/ 9-42VDC	≤10%	>83%	≤0.5W	30A	50°C/ 90°C	CE/ CB/ ENEC/CCC EL
FLS-44-1050 DALI2-DT8 LD	110*74*30	44W/ 700-1050mA/ 9-42VDC	≤10%	>86%	≤0.5W	30A	50°C/ 90°C	CE/ CB/ ENEC/CCC EL

Ac Input Voltage Range	220-240 VAC 50/60 Hz
Start-up Time	<0.7 s
Hold-up Time	1 s max
Withstand Voltage	Input-Output 3750 V/ 5 mA/ 1 min
Safety Standards	IEC/ EN61347-1, IEC/ EN61347-2-13, EN62384
EMC Standards	EN55015, EN61000-3-2, EN61000-3-3, EN61547



### FLS-26-700 DALI2-DT8 LD

Vo	Po	Io	1	2	3	4
9-42 VDC	6.3 W	150 mA	/	/	/	/
9-42 VDC	8.4 W	200 mA	ON	/	ON	/
9-42 VDC	10.5 W	250 mA	/	ON	ON	/
9-42 VDC	12.6 W	300 mA	ON	ON	ON	/
9-42 VDC	14.7 W	350 mA	/	/	/	ON
9-42 VDC	16.8 W	400 mA	ON	/	/	ON
9-42 VDC	18.9 W	450 mA	/	ON	/	ON
9-42 VDC	21 W	500 mA	ON	ON	/	ON
9-42 VDC	23.1 W	550 mA	/	/	ON	ON
9-42 VDC	25.2 W	600 mA	ON	/	ON	ON
9-40 VDC	26 W	650 mA	/	ON	ON	ON
9-37.5 VDC	26.3 W	700 mA	ON	ON	ON	ON

### FLS-44-1050 DALI2-DT8 LD

Vo	Po	Io	3	2	1
9-42 VDC	29.4 W	700 mA	/	/	/
9-42 VDC	31.5 W	750 mA	/	/	ON
9-42 VDC	33.6 W	800 mA	/	ON	/
9-42 VDC	35.7 W	850 mA	/	ON	ON
9-42 VDC	37.8 W	900 mA	ON	/	/
9-42 VDC	39.9 W	950 mA	ON	/	ON
9-42 VDC	42 W	1000 mA	ON	ON	/
9-42 VDC	44.1 W	1050 mA	ON	ON	ON

Factory Default

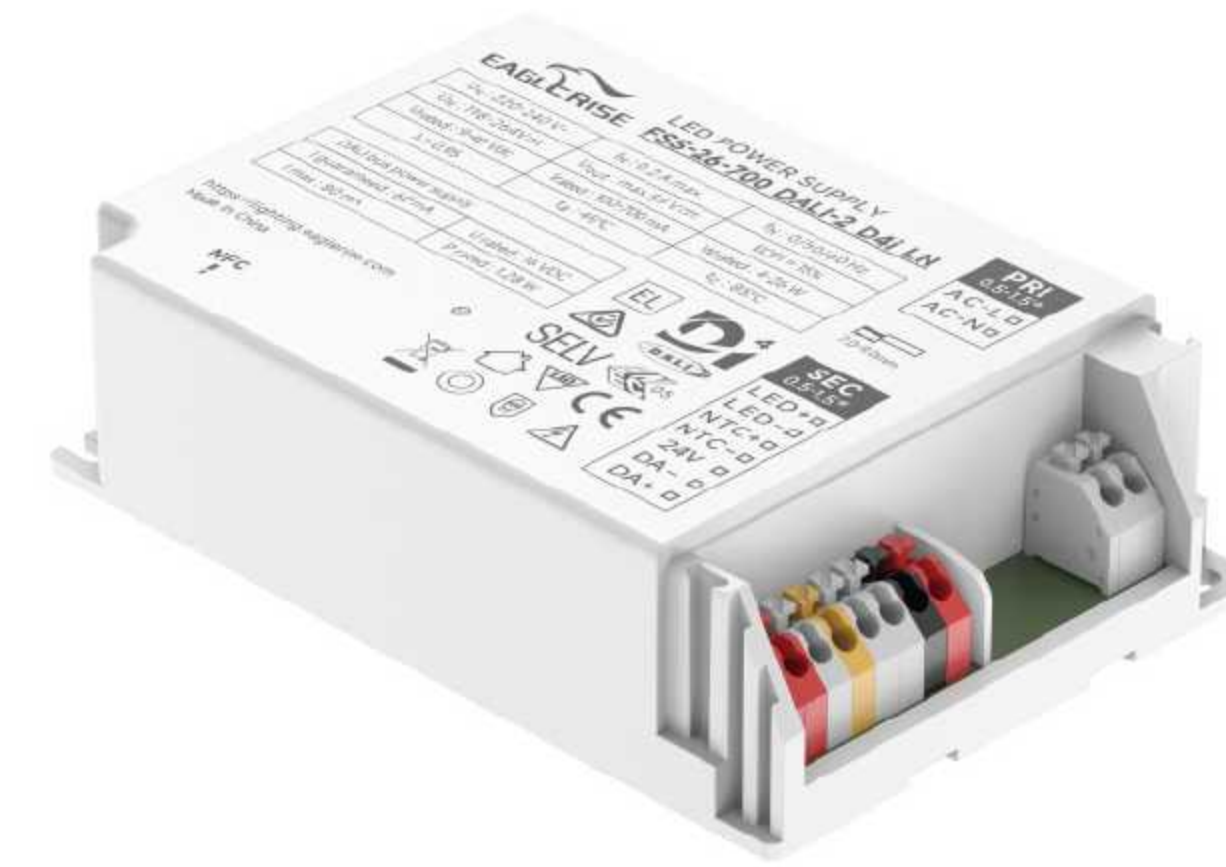
FLS-26-750 DALI2-DT8 LD  
FLS-44-1050 DALI2-DT8 LD



# Mini-DALI-2 Series 26-42W DALI-2 Dimming LED Driver

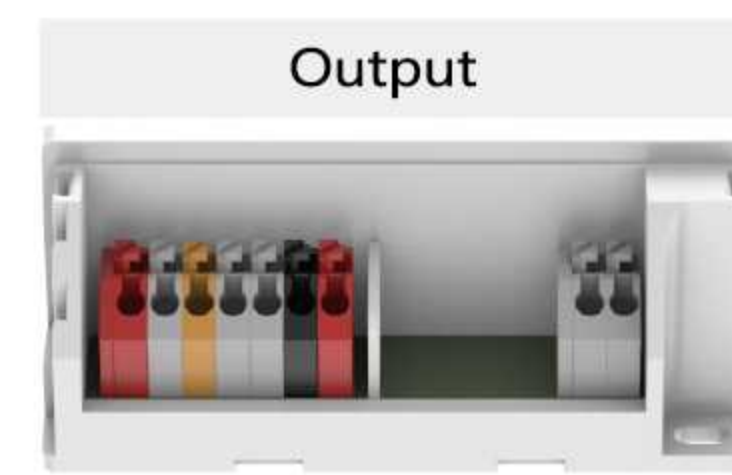


- Installation: Built-in & Independent with end caps
- Class II, Isolated
- Protection: SCP/ OLP/ OVP
- Adjustable output current with dip switch
- Warranty: 5 Years
- Flicker Free
- Dimming depth 1 %, dimming range 1% to 100%
- Customizable logarithmic curve, linear dimming curve
- Available accessories: Side caps, need to purchase separately (P75)



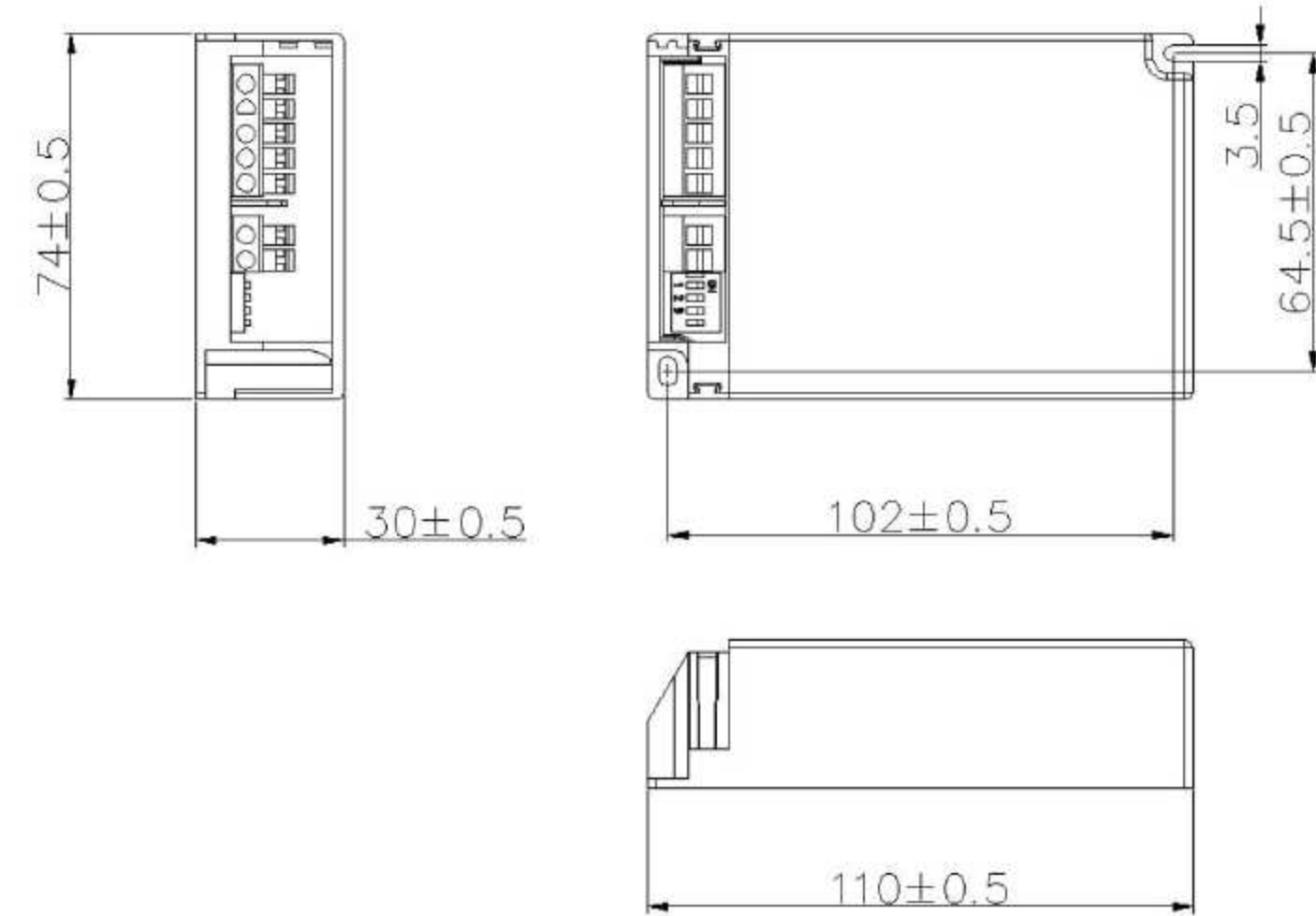
FSS-26-700 DALI-2 D4i LN  
FSS-44-1050 DALI-2 D4i LN

Typical Applications:

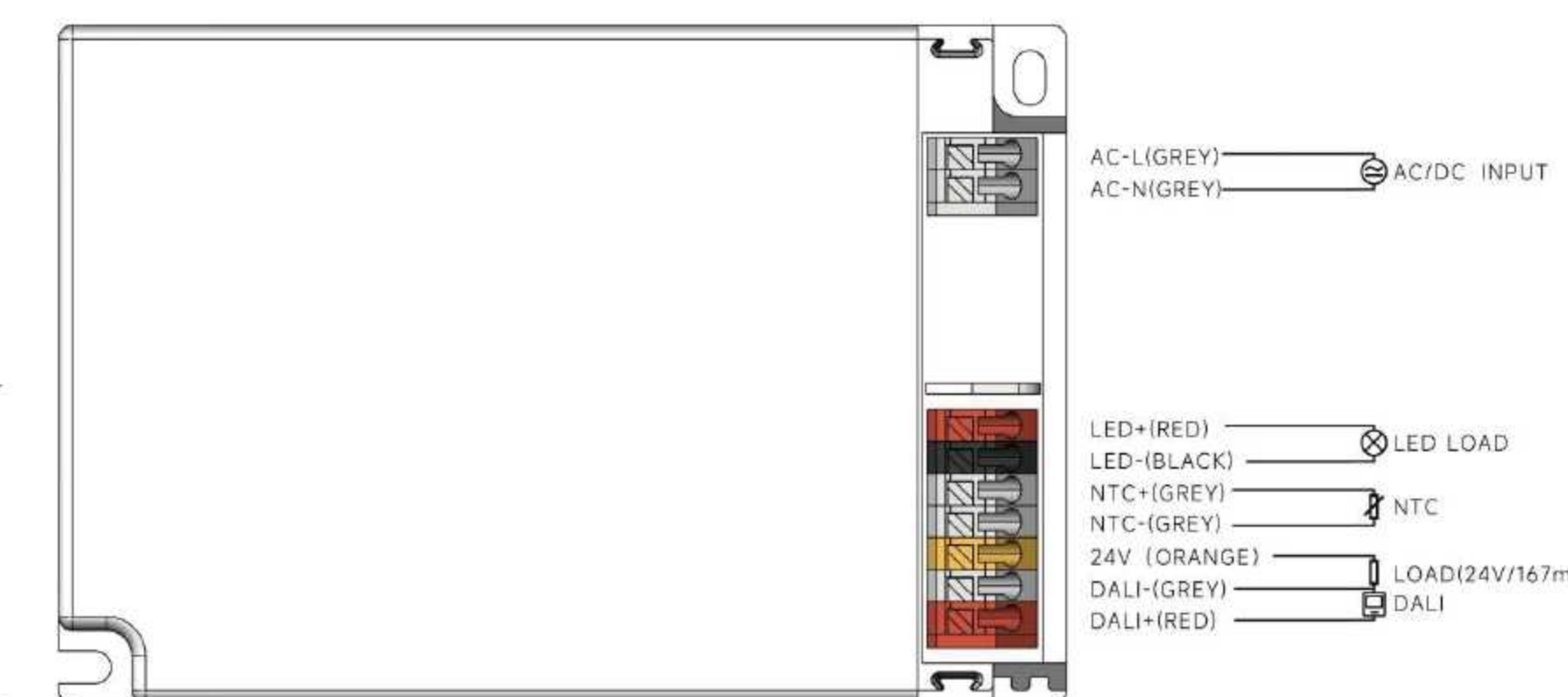


Best Seller	Size (L*W*H)	Output	THD	Typical Efficiency	No-load Power	Ta, Tc	Certification
FSS-26-700 DALI-2 D4i LN	110*74*30	26W/ 100-700mA/ 9-42VDC	10%	≥83%	≤0.5W	45°C/ 85°C	CE/ CB/ENEC/CCC
FSS-44-1050 DALI-2 D4i LN	110*74*30	44W/ 700-1050mA/ 9-42VDC	10%	≥86%	≤1W	45°C/ 85°C	CE/ CB/ENEC/CCC

Ac Input Voltage Range	220-240 VAC 50/60 Hz
Start-up Time	<0.7 s
Hold-up Time	1 s max
Withstand Voltage	Input-Output 3750 V/ 5 mA/ 1 min
Safety Standards	IEC/ EN61347-1, IEC/ EN61347-2-13, EN62384, GB19510.1, GB19510.14
EMC Standards	EN55015, EN61000-3-2, EN61000-3-3, EN61547, GB/T17743, GB17625.1



Paramete	Min.	Typ.	Max.	Note
24V Auxiliary Output Voltage	22.8 V	24 V	25.2 V	
24V Auxiliary Output Source Current	0 mA	-	167 mA	Return terminal is "DA"
24V Auxiliary Output Transient Peak Current @5.5W	-	-	230 mA	230 mA peak for a maximum duration of 2.2 ms in a 6.0 ms period during which time the average
Integrated DALI-2 Bus Power Supply Voltage	12 Vdc	16 Vdc	20 Vdc	should not exceed 167 mA. Voltage is depending on lo
Integrated DALI-2 Bus Power Supply Current	60 mA	-	80 mA	Return terminal is "DA"



FSS-26-700 DALI-2 D4i LN  
FSS-44-1050 DALI-2 D4i LN

# Mini-Bluetooth Series 42W Bluetooth Dimming LED Driver



- Installation: Independent/ Build in
- Class II, Isolated
- Protection: SCP/ OLP/ OVP/ OTP
- Warranty: 5 Years
- Flicker free
- Dimming depth 1%, dimming range 1% to 100%



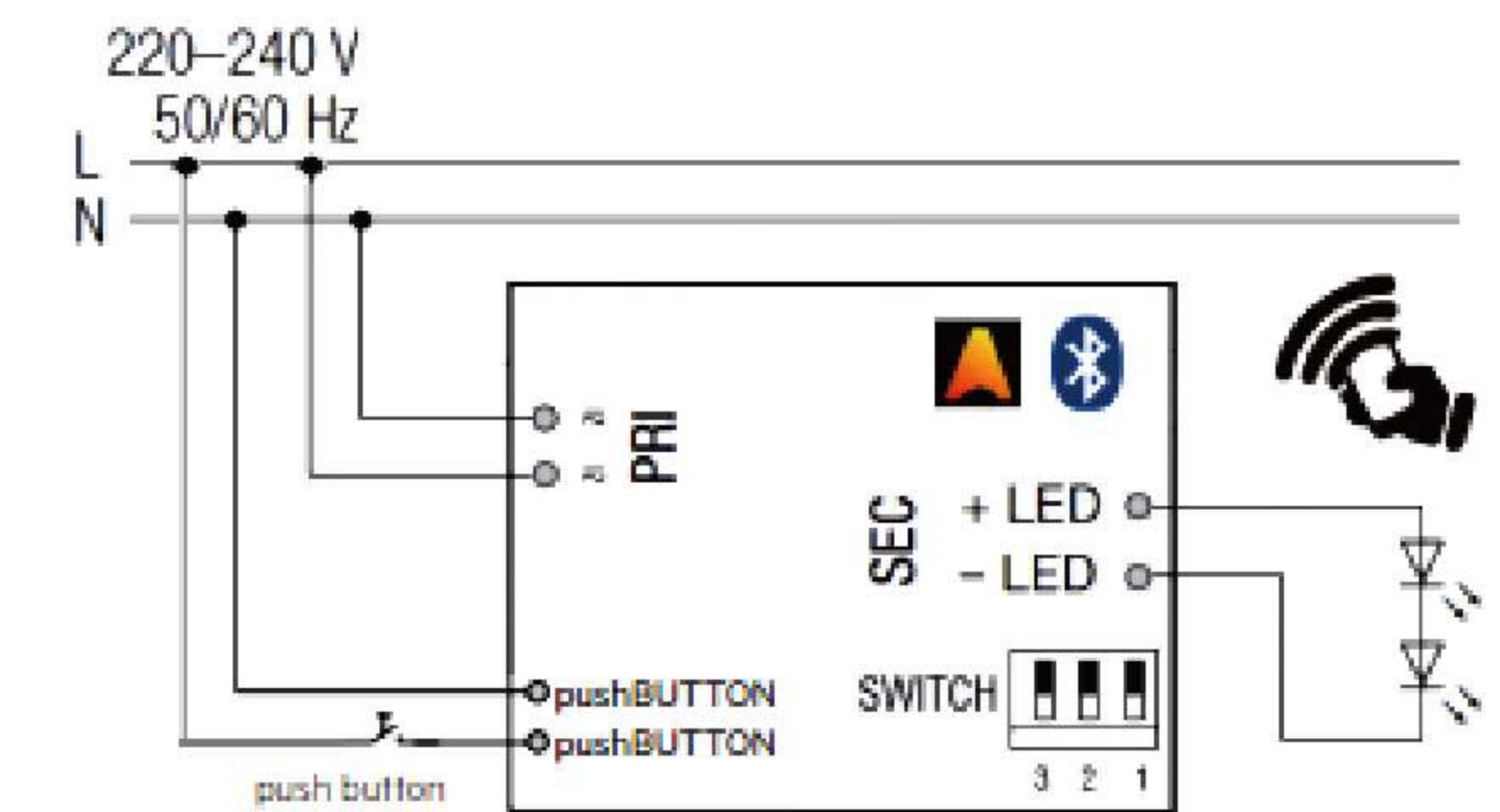
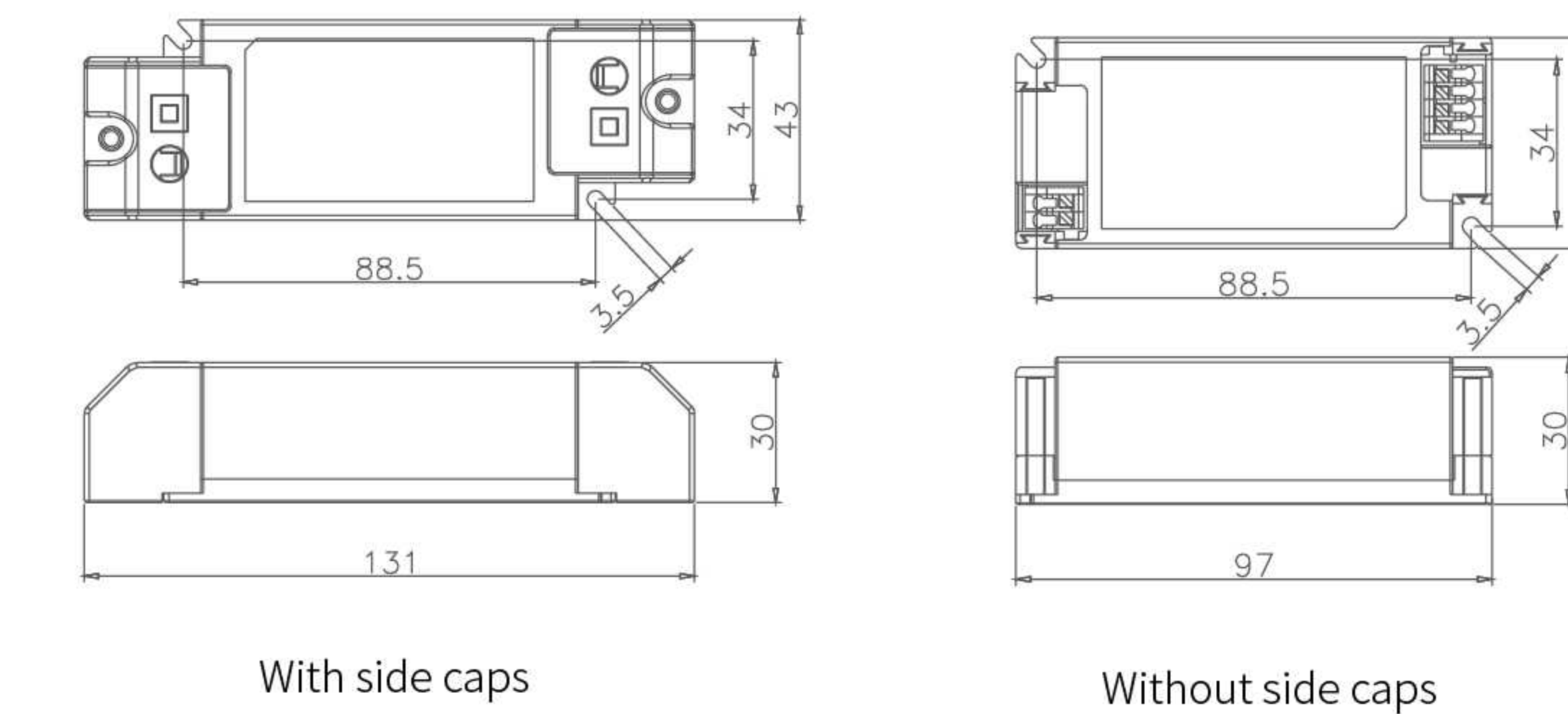
FLS-42-1050 Blue LA-CSB ADV

Typical Applications:



Best Seller	Size (L*W*H)	Output	THD	Typical Efficiency	No-load Power	Inrush Current	Ta, Tc	Certification
FLS-42-1050 Blue LA-CSB ADV	97*43*30	42W/ 150-1050mA/ 2.5-52VDC	<10%	≥87%	≤0.5W	44.6A	60°C/85°C	CB/ CE/ ENEC/ EL

Ac Input Voltage Range	220-240 VAC 50/60 Hz
Start-up Time	<0.5 s
Hold-up Time	1 s max
Withstand Voltage	Input-Output 3750 V/ 5 mA/ 1 min
Safety Standards	IEC/ EN61347-1, IEC/ EN61347-2-13
EMC Standards	EN55015, EN61000-3-2, EN61000-3-3, EN61547





# LED DRIVER

## Intelligent LED Driver - Track

### Track-DALI-2 Series 12-42W DALI-2 Dimming LED Driver



- Track adapter with intergrated driver
- Class II, Isolated
- Protection: SCP/ OLP/ OVP/ OTP
- Adjustable output current with dip switch
- Warranty: 5 Years
- Flicker Free
- Available color: Black, White, Grey
- Suitable for mainstream track:  
Global - XTSC 6 DALI 16A; POWERGEAR PRO-0615; Stucchi 9000-2/ B-ST



FDS-12-350 DALI-2 LD  
FDS-30-700 DALI-2 LD  
FDS-42-1050 DALI-2 LD

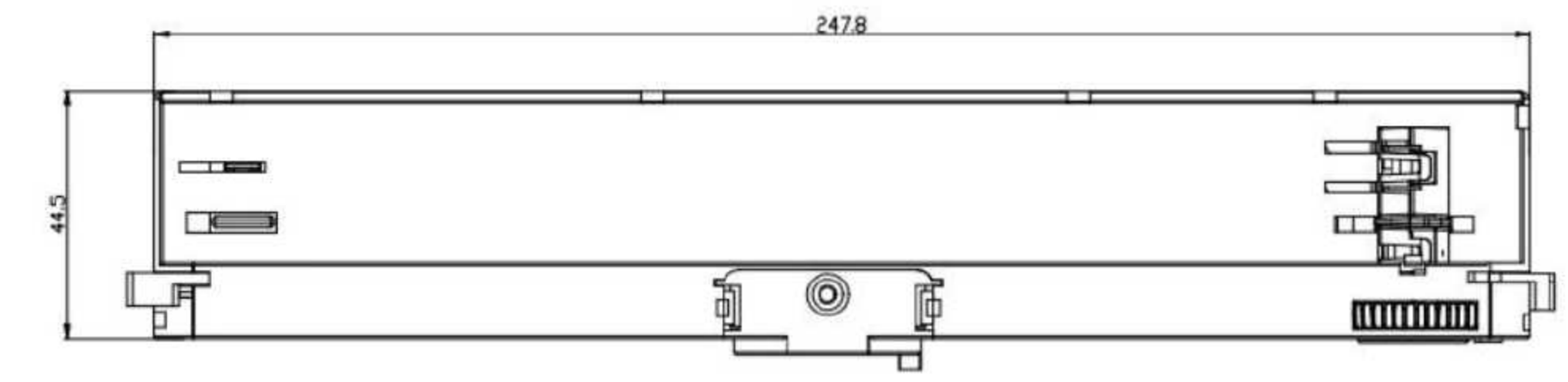
#### Typical Applications:



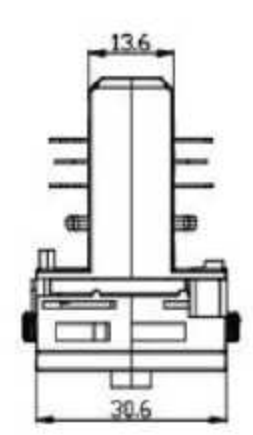
Track Spot Light

Best Seller	Size (L*W*H)	Output	THD	Typical Efficiency	No-load Power	Inrush Current	Ta, Tc	Certification
FDS-12-350 DALI-2 LD	212*31*45	12W/ 120-350mA/ 9-42VDC	<10%	>80%	≤0.5W	30A	35°C/ 70°C	CE/ CB/ ENEC/CQC
FDS-30-700 DALI-2 LD	248*31*45	30W/ 350-700mA/ 9-42VDC	<10%	≥85%	≤0.5W	30A	35°C/ 75°C	CE/ CB/ ENEC/CQC
FDS-40-1050 DALI-2 LD	248*31*45	42W/ 700-1050mA/ 9-42VDC	<10%	≥87%	≤0.5W	45A	35°C/ 70°C	CE/ CB/ ENEC/CQC

Ac Input Voltage Range	220-240 VAC 50/60 Hz
Start-up Time	<0.7 s
Hold-up Time	1 s max
Withstand Voltage	Input-Output 3750 V/ 5 mA/ 1 min
Safety Standards	IEC/ EN61347-1, IEC/ EN61347-2-13, EN62384
EMC Standards	EN55015, EN61000-3-2, EN61000-3-3, EN61547



FDS-12-350 DALI-2 LD  
FDS-30-700 DALI-2 LD  
FDS-42-1050 DALI-2 LD



FDS-12-350 DALI-2 LD

Vo	Po	Io	1	2	3
9-42 VDC	5.04 W	120 mA	/	/	/
9-42 VDC	6.3 W	150 mA	ON	/	/
9-42 VDC	7.56 W	180 mA	/	ON	/
9-42 VDC	8.4 W	200 mA	ON	ON	/
9-42 VDC	10.5 W	250 mA	/	/	ON
9-42 VDC	11.76 W	280 mA	ON	/	ON
9-42 VDC	12.6 W	300 mA	/	ON	ON
9-42 VDC	14.7 W	350 mA	ON	ON	ON

FDS-30-700 DALI-2 LD

Vo	Po	Io	1	2	3
9-42 VDC	14.7 W	350 mA	/	/	/
9-42 VDC	16.8 W	400 mA	ON	/	/
9-42 VDC	18.9 W	450 mA	/	ON	/
9-42 VDC	21 W	500 mA	ON	ON	/
9-42 VDC	23.1 W	550 mA	/	/	ON
9-42 VDC	25.2 W	600 mA	ON	/	ON
9-42 VDC	27.3 W	650 mA	/	ON	ON
9-42 VDC	29.4 W	700 mA	ON	ON	ON

FDS-42-1050 DALI-2 LD

Vo	Po	Io	1	2	3
9-42 VDC	29.4 W	700 mA	/	/	/
9-42 VDC	31.5 W	750 mA	ON	/	/
9-42 VDC	33.6 W	800 mA	/	ON	/
9-42 VDC	35.7 W	850 mA	ON	ON	/
9-42 VDC	37.8 W	900 mA	/	/	ON
9-42 VDC	39.9 W	950 mA	ON	/	ON
9-40 VDC	40 W	1000 mA	/	ON	ON
9-38.5 VDC	40.4 W	1050 mA	ON	ON	ON

Factory Default

# Track-DT8 Series 12-42W

## DALI-2 Dimming LED Driver Turnable White



- Class II, SELV, Built-in
- Input Voltage: 220-240VAC
- Efficiency  $\geq 87\%$
- Adjustable output current with dip switch
- Support DALI-2 DT8 Dimming
- Warranty: 5 Years
- Suitable for mainstream track:
  - Global - XTSC 6 DALI 16A; POWERGEAR PRO-0615
  - Stucchi 9000-2/ B-ST



FDS-12-1050 DT8 LD  
FDS-42-1050 DT8 LD

Typical Applications:



Track Spot Light

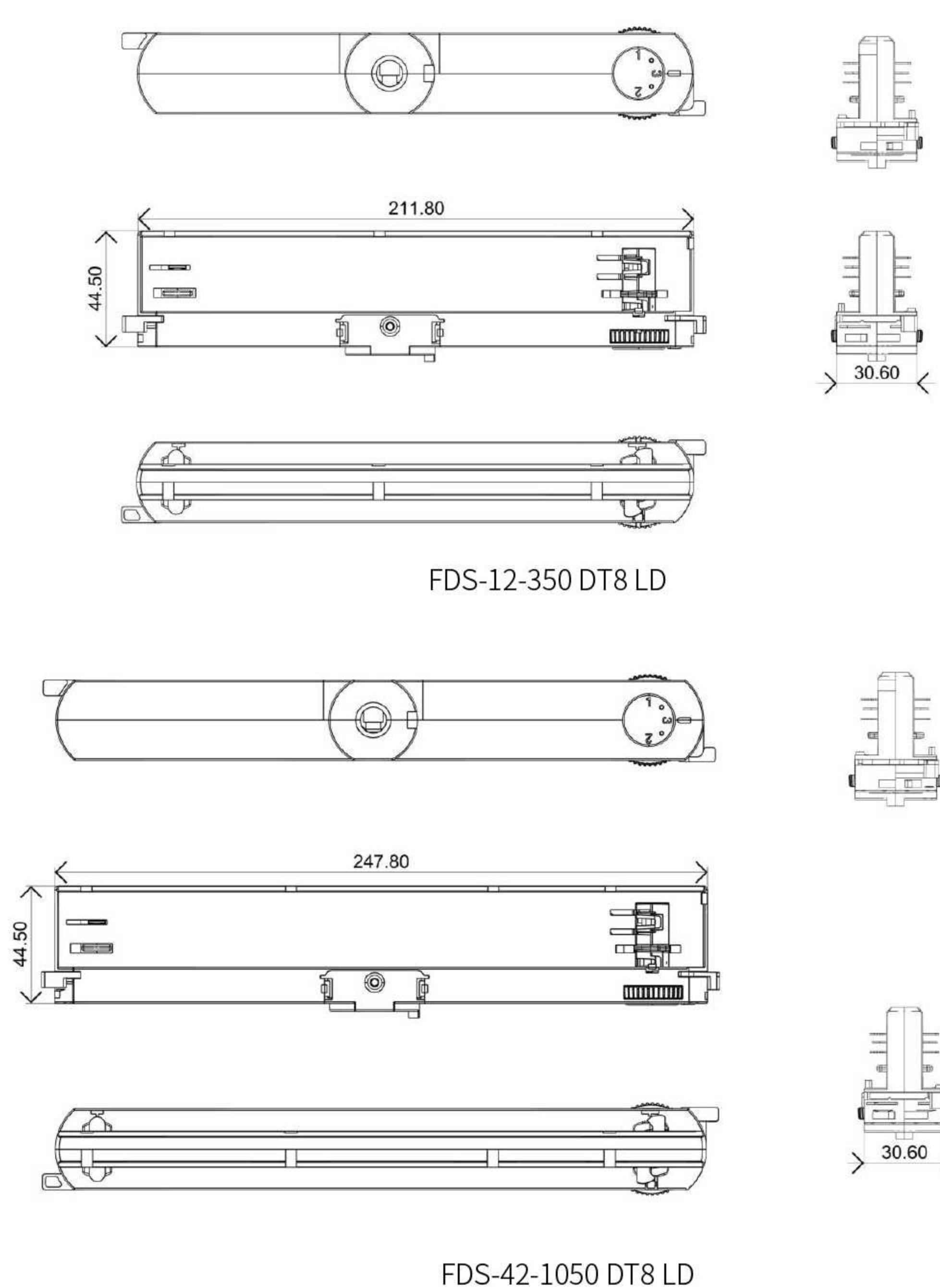
Best Seller	Size (L*W*H)	Output	THD	Typical Efficiency	No-load Power	Ta, Tc	Certification
FDS-12-350 DT8 LD	212*31*45	12W/ 120-300mA/ 9-42VDC	<10%	$\geq 80\%$	$\leq 0.5W$	35°C/ 65°C	CE/ CB/ ENEC/CQC
FDS-42-1050 DT8 LD	248*31*45	42W/ 300-1050mA/ 9-40VDC	<10%	$\geq 87\%$	$\leq 0.5W$	45°C/ 85°C	CE/ CB/ ENEC/CQC

Ac Input Voltage Range	220-240 VAC 50/60 Hz
Start-up Time	<0.7 s
Hold-up Time	1 s max
Withstand Voltage	Input-Output 3750 V/ 5 mA/ 1 min
Safety Standards	IEC/ EN61347-1, IEC/ EN61347-2-13, EN62384
EMC Standards	EN55015, EN61000-3-2, EN61000-3-3, EN61547

### FDS-42-1050 DT8 LD

V <sub>o</sub>	P <sub>o</sub>	I <sub>o</sub>	1	2	3	4
9-42 VDC	12.6 W	300 mA	/	/	/	/
9-42 VDC	14.7 W	350 mA	ON	/	/	/
9-42 VDC	16.8 W	400 mA	/	ON	/	/
9-42 VDC	18.9 W	450 mA	ON	ON	/	/
9-42 VDC	21 W	500 mA	/	/	ON	/
9-42 VDC	23.1 W	550 mA	ON	/	ON	/
9-42 VDC	25.2 W	600 mA	/	ON	ON	/
9-42 VDC	27.3 W	650 mA	ON	ON	ON	/
9-42 VDC	29.4 W	700 mA	/	/	/	ON
9-42 VDC	31.5 W	750 mA	ON	/	/	ON
9-42 VDC	33.6 W	800 mA	/	ON	/	ON
9-42 VDC	35.7 W	850 mA	ON	ON	/	ON
9-42 VDC	37.8 W	900 mA	/	/	ON	ON
9-42 VDC	39.9 W	950 mA	ON	/	ON	ON
9-42 VDC	42 W	1000 mA	/	ON	ON	ON
9-40 VDC	42 W	1050 mA	ON	ON	ON	ON

Factory Default



# LED DRIVER

## Intelligent LED Driver - Constant Voltage

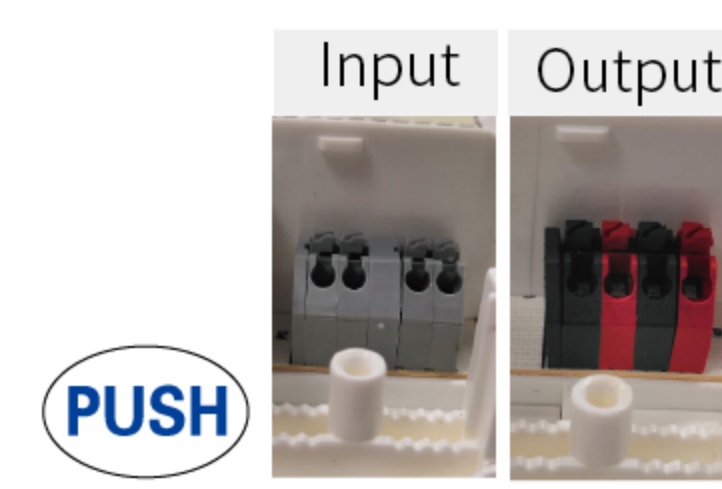
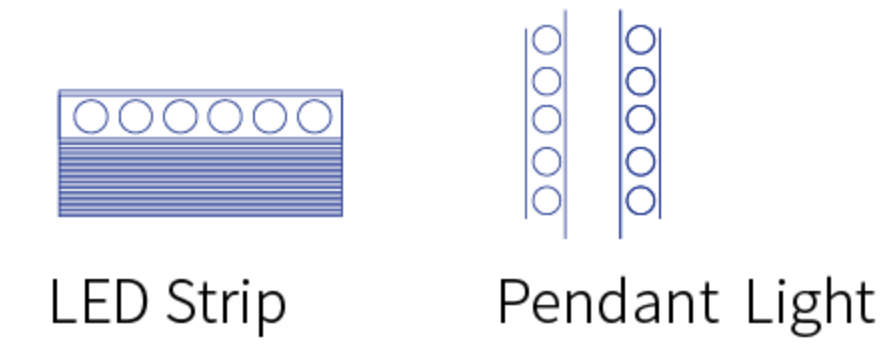
# CV-DALI-2 Series 45-150W DALI-2 Dimming LED Driver



- Installation: Independent
- Class II, Isolated
- Protection: SCP/ OLP/ OVP/ OTP
- Warranty: 5 Years
- Dimming depth 1%, dimming range 1% to 100%
- Efficiency  $\geq 90\%$
- Support Push Dimming and can be dimmed manually
- Customizable logarithmic curve, linear dimming curve
- Flicker free

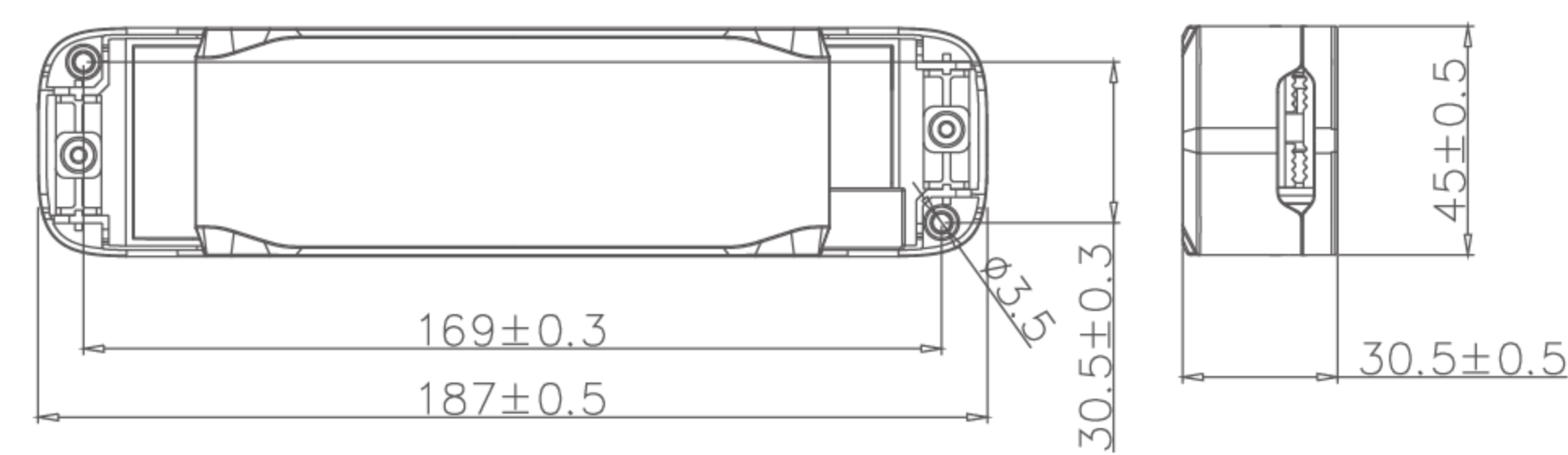


Typical Applications:

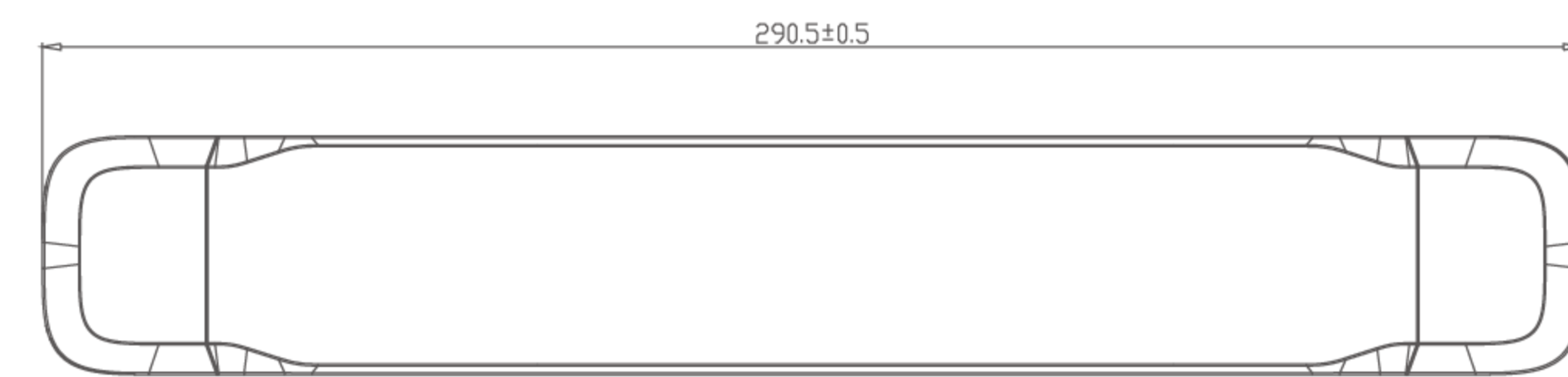
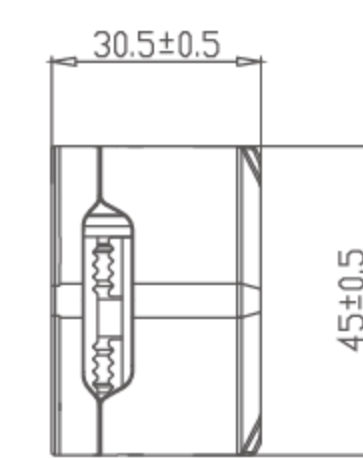


Best Seller	Size (L*W*H)	Output	THD	Typical Efficiency	No-load Power	Inrush Current	Ta, Tc	Certification
LS-45-24 DALI2 LI	187*45*30.5	45W/ 24V/ 0-1.88A	$\leq 20\%$	$> 86\%$	$\leq 0.5W$	40A	50°C/ 85°C	CE/ CB/ ENEC/ MM/ EL
LS-80-24 DALI2 LI	290*45*30.5	80W/ 24V/ 0-3.33A	$\leq 25\%$	$> 87\%$	$\leq 0.5W$	50A	45°C/ 85°C	CE/ CB/ ENEC/ MM/ EL
LS-150-24 DALI2 LI	290*45*30.5	150W/ 24V/ 0-6.25A	$< 10\%$	$> 89\%$	$\leq 0.5W$	90A	45°C/ 85°C	CE/ CB/ ENEC/ MM/ EL

Ac Input Voltage Range	220-240 VAC 50/60 Hz
Start-up Time	$< 0.7$ s
Hold-up Time	1 s max
Withstand Voltage	Input-Output 3750 V/ 5 mA/ 1 min
Safety Standards	IEC/ EN61347-1, IEC/ EN61347-2-13, EN62384
EMC Standards	EN55015, EN61000-3-2, EN61000-3-3, EN61547



LS-45-24 DALI-2 LI



LS-80-24 DALI-2 LI  
LS-150-24 DALI-2 LI

# CV-DALI-2 Series 30-100W DALI-2 Dimming LED Driver

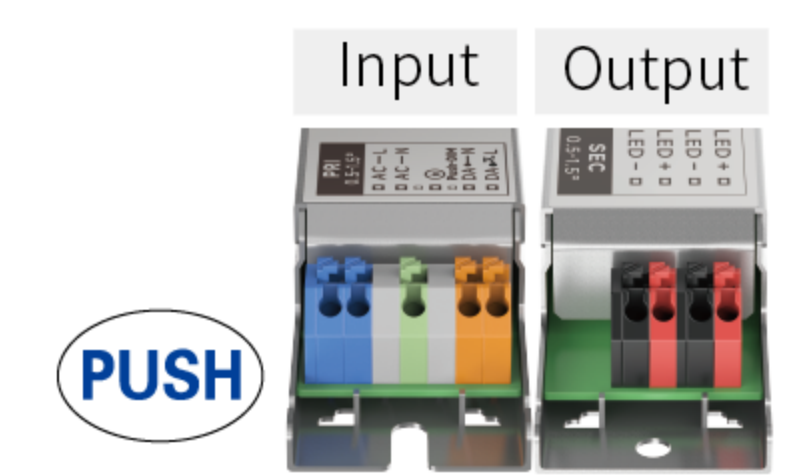
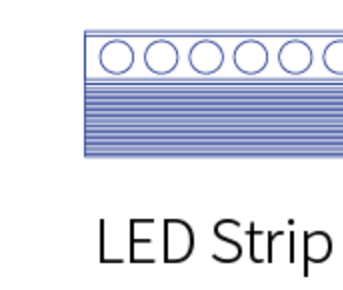


- Installation: Independent
- Isolated
- Protection: SCP/ OLP/ OVP/ OTP
- Warranty: 5 Years
- Dimming depth 1%, dimming range 1% to 100%
- Efficiency  $\geq 85\%$
- Support Push Dimming and can be dimmed manually
- Customizable logarithmic curve, linear dimming curve
- Flicker free
- In accordance with the Zhaga agreement



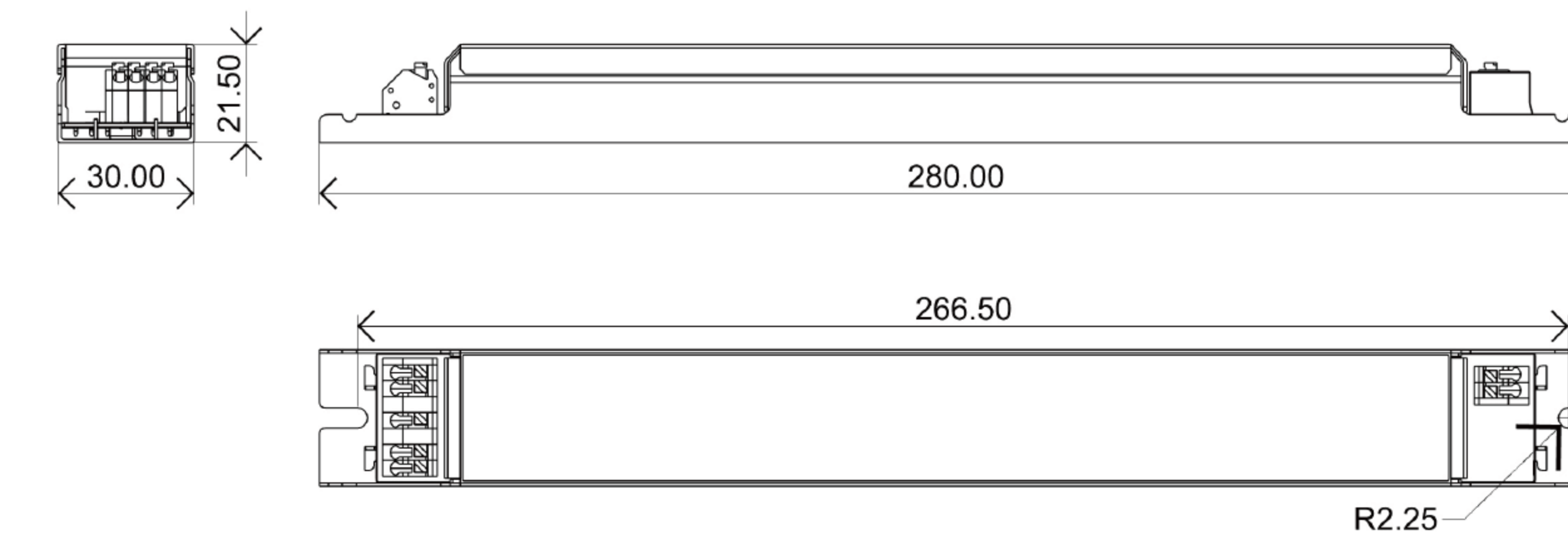
MS-30-24 DALI-2 LX  
MS-60-24 DALI-2 LX  
MS-100-24 DALI-2 LX

Typical Applications:



Best Seller	Size (L*W*H)	Output	THD	Typical Efficiency	No-load Power	Ta, Tc	Certification
MS-30-24 DALI-2 LX	280*30*21	30W/ 24V/ 0-1.25A	$\leq 10\%$	$\geq 85\%$	$\leq 0.5W$	60°C/ 90°C	CE/ ENEC/ EL
MS-60-24 DALI-2 LX	360*30*21	60W/ 24V/ 0-2.5A	$\leq 10\%$	$\geq 89\%$	$\leq 0.5W$	60°C/ 90°C	CE/ ENEC/ EL
MS-100-24 DALI-2 LX	425*30*21	100W/ 24V/ 0-4.17A	$\leq 10\%$	$\geq 91\%$	$\leq 0.5W$	60°C/ 90°C	CE/ ENEC/ EL

Ac Input Voltage Range	220-240 VAC 50/60 Hz
Start-up Time	$< 0.7$ s
Hold-up Time	1 s max
Withstand Voltage	Input-Output 3750 V/ 5 mA/ 1 min
Safety Standards	IEC/ EN61347-1, IEC/ EN61347-2-13, EN62384
EMC Standards	EN55015, EN61000-3-2, EN61000-3-3, EN61547



MS-30-24 DALI-2 LX

# CV-DALI DT8 Series 45-150W

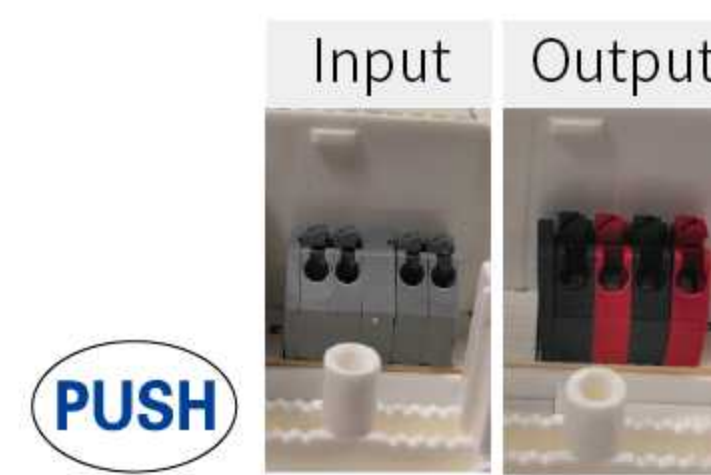
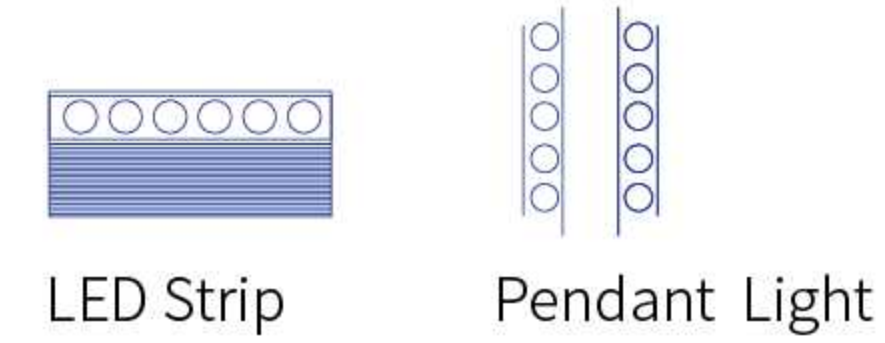
## DALI-2 Dimming LED Driver Tunable White



- Installation: Independent
- Class II, Isolated
- Protection: SCP/ OLP/ OVP/ OTP
- Warranty: 5 Years
- Flicker free
- Dimming depth 1%, dimming range 1% to 100%
- Customizable logarithmic curve, linear dimming curve
- Support Push/ Touch Dimming, CCT and can be dimmed manually

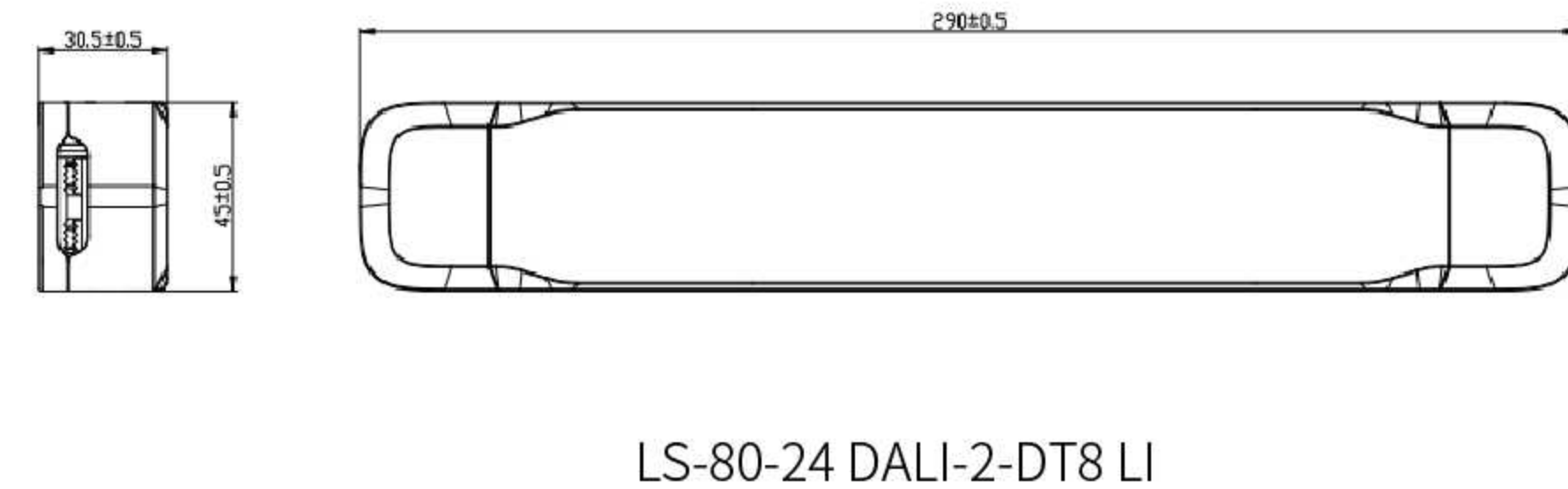
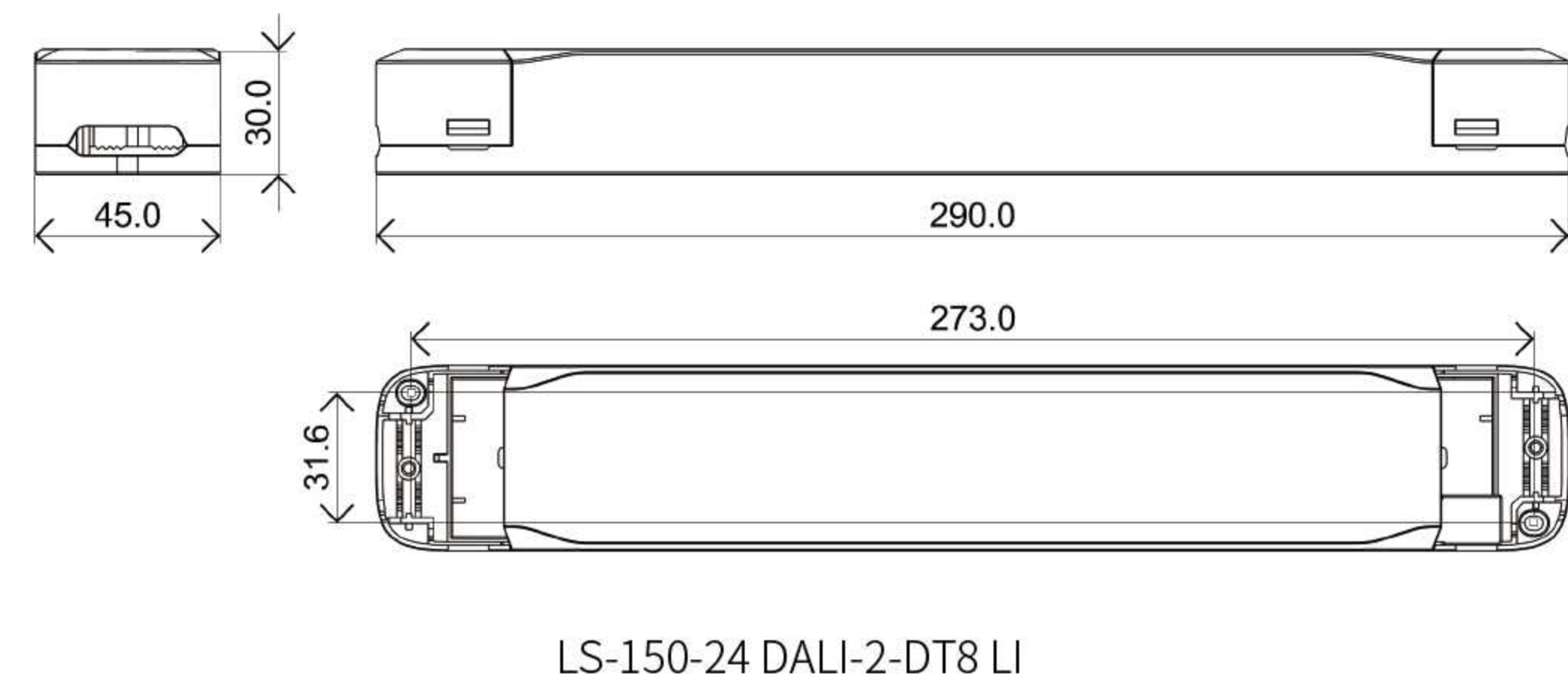
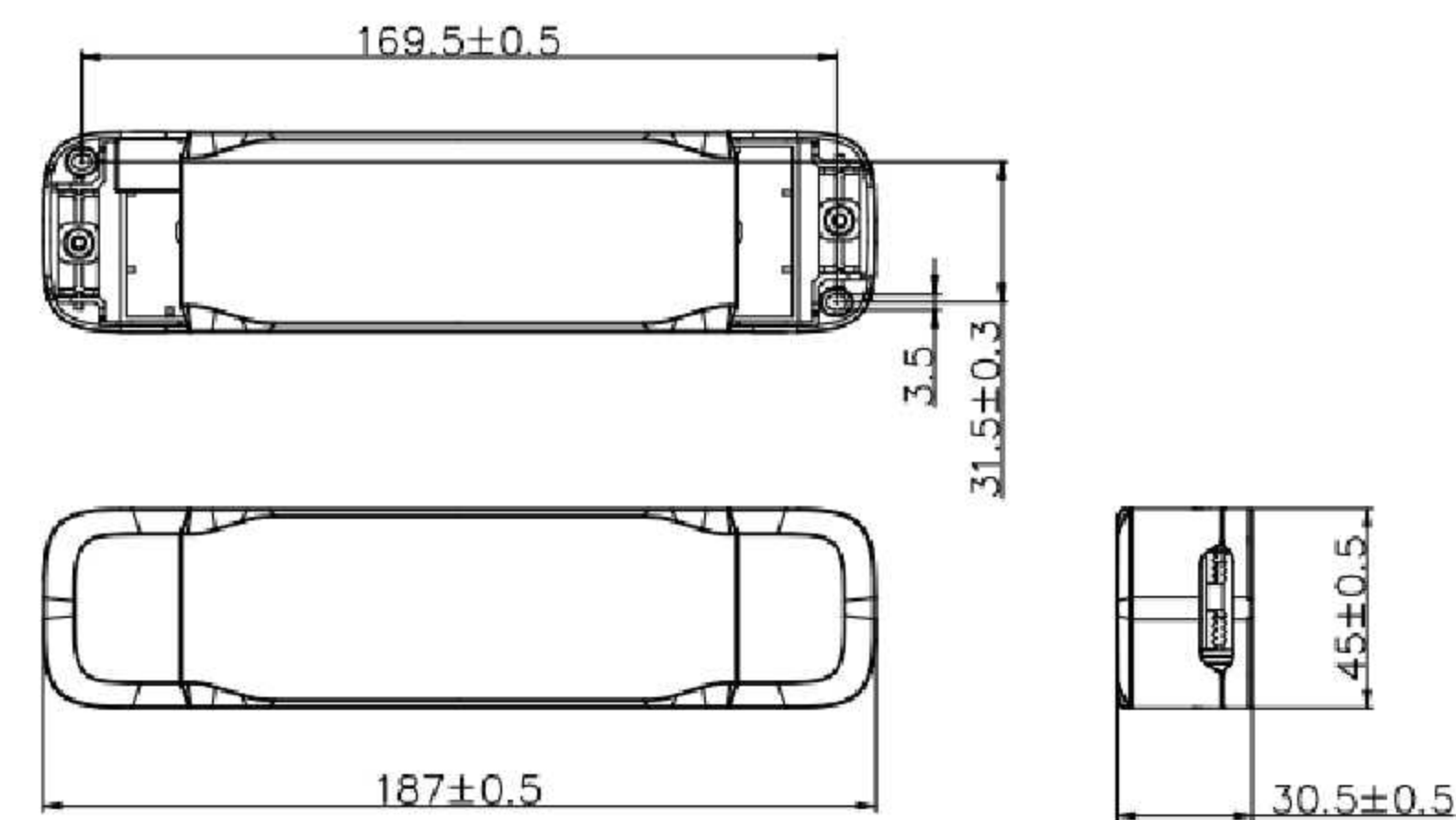


Typical Applications:

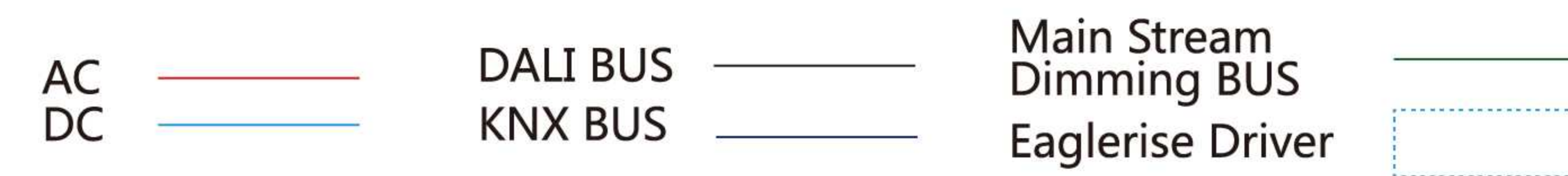


Best Seller	Size (L*W*H)	Output	THD	Typical Efficiency	No-load Power	Inrush Current	Ta, Tc	Certification
LS-45-24 DALI2-DT8 LI	187*45*30.5	45W/ 24V/ 0-1.81A	≤5%	>87%	≤0.5W	20A	50°C/ 85°C	CE/ CB/ ENEC
LS-80-24 DALI2-DT8 LI	340*45*30.5	80W/ 24V/ 0-3.33A	≤5%	>86%	≤0.5W	30A	45°C/ 85°C	CE/ CB/ ENEC
LS-150-24 DALI2-DT8 LI	340*45*30.5	150W/ 24V/ 0-6.25A	≤8%	>91%	≤0.5W	70A	45°C/ 85°C	CE/ CB/ ENEC

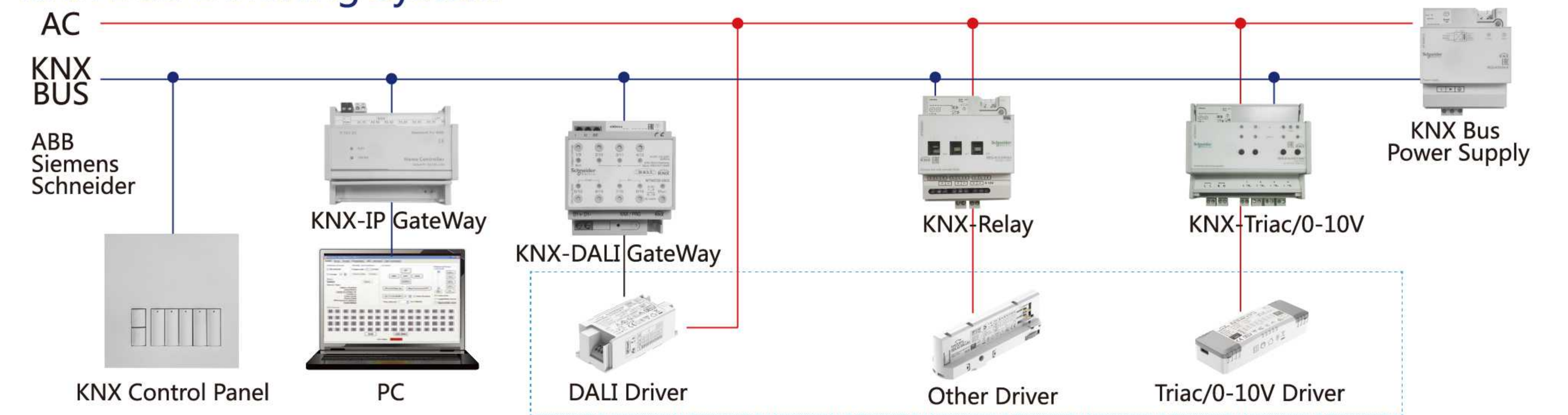
Ac Input Voltage Range	220-240 VAC 50/60 Hz
Start-up Time	<0.7 s
Hold-up Time	1 s max
Withstand Voltage	Input-Output 3750 V/ 5 mA/ 1 min
Safety Standards	IEC/ EN61347-1, IEC/ EN61347-2-13, EN62384
EMC Standards	EN55015, EN61000-3-2, EN61000-3-3, EN61547



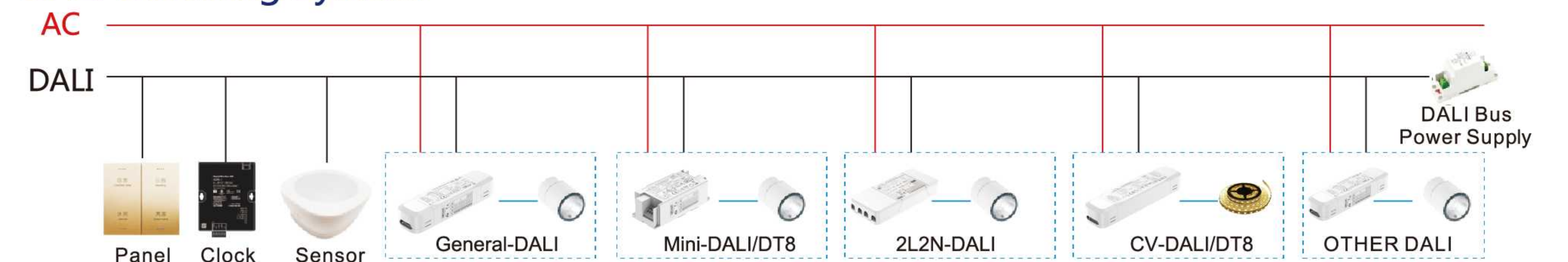
## Eaglerise Driver in Dimming System Total Solution



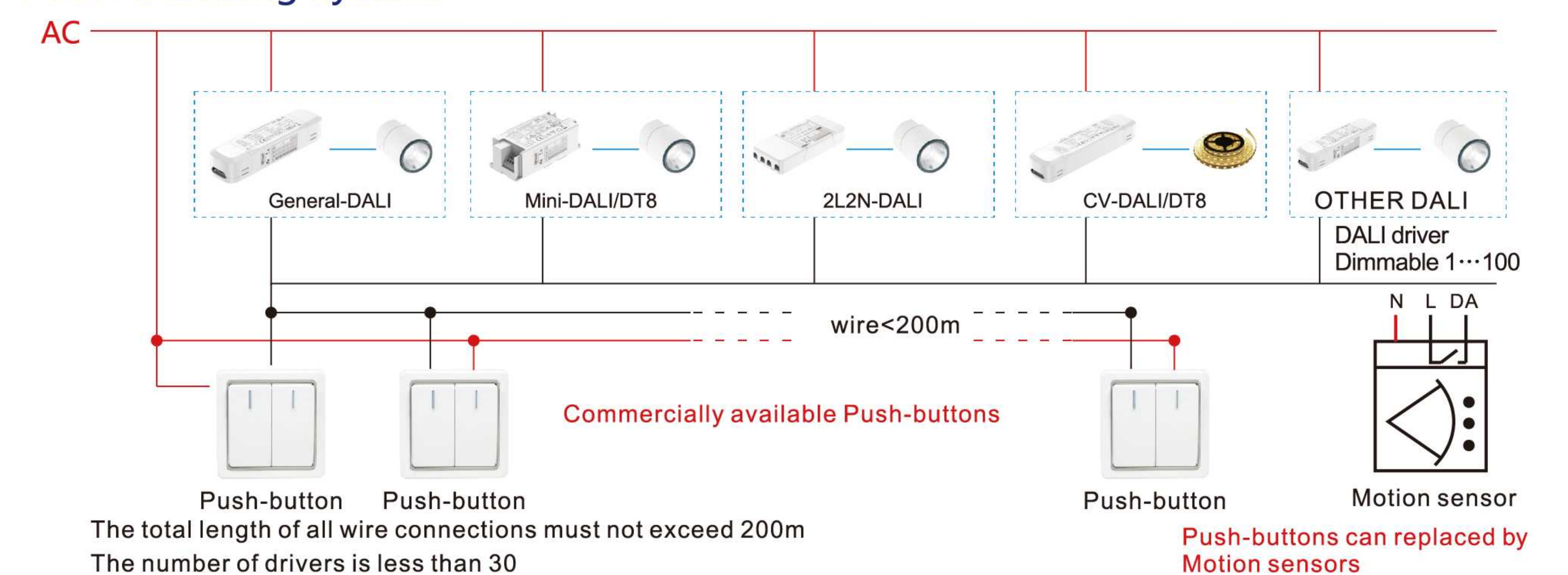
### KNX BUS Dimming System



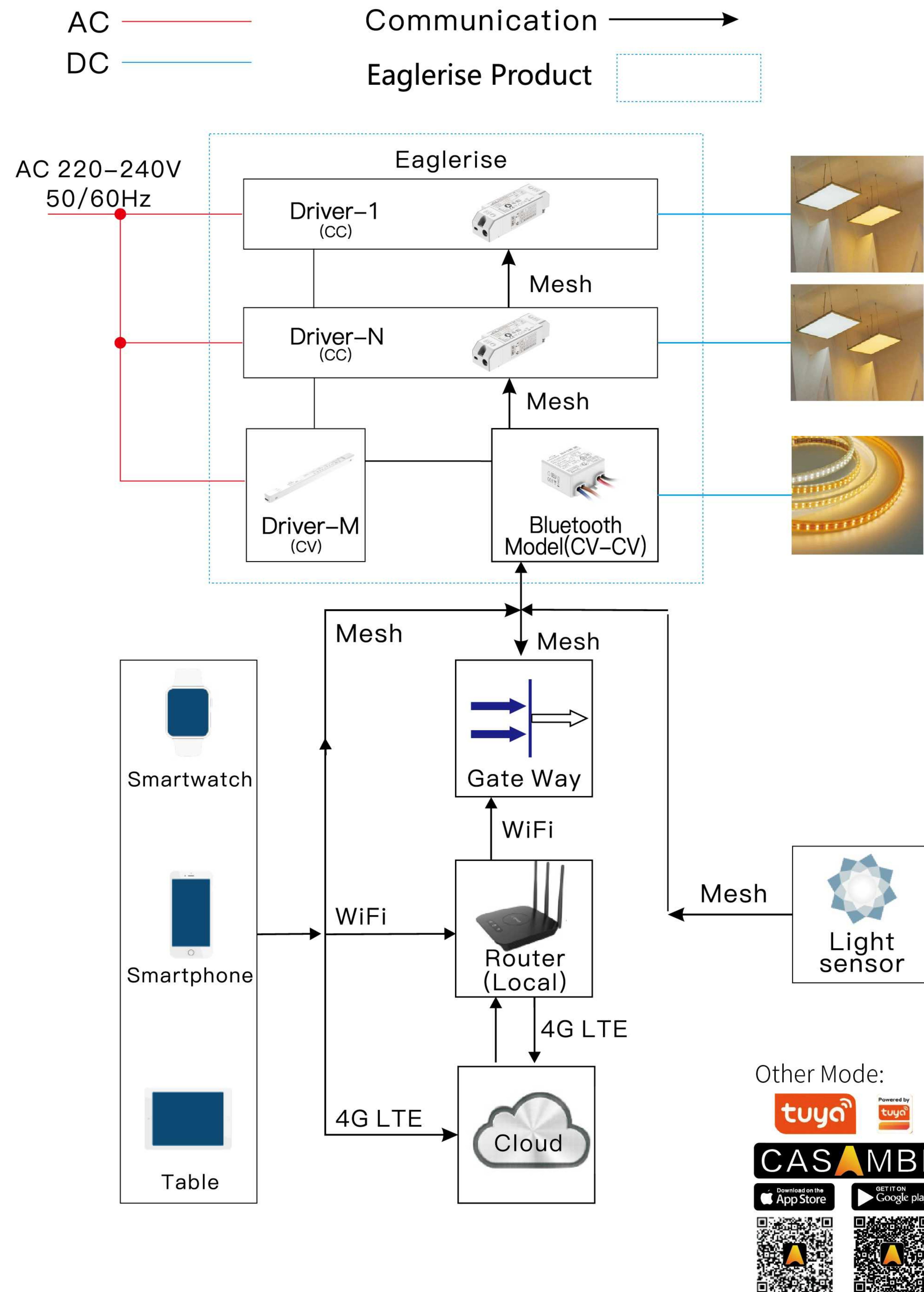
### DALI Dimming System



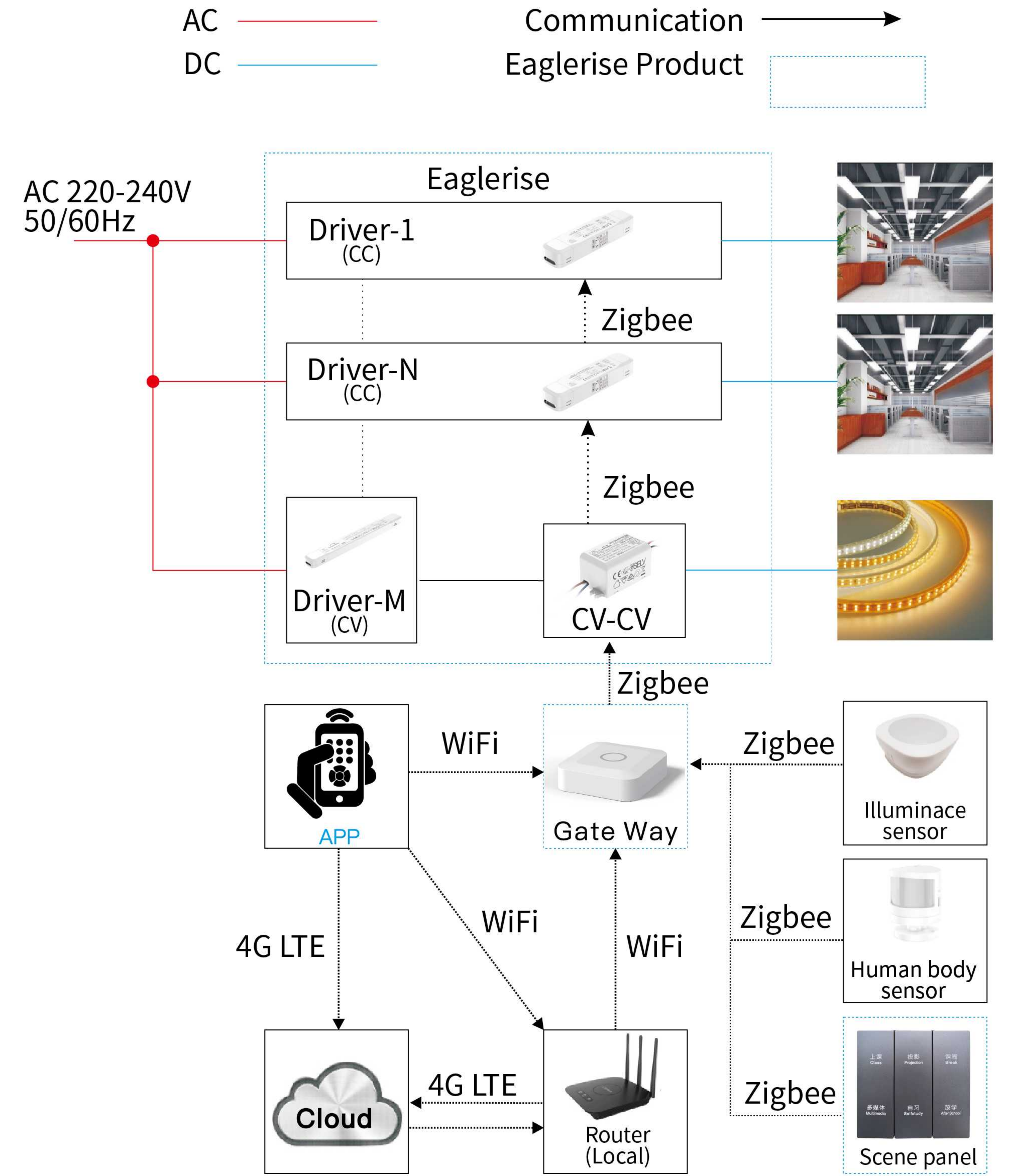
### PUSH Dimming System



# Bluetooth Smart Lighting System



# Zigbee Smart Lighting System



- Characteristic:
1. Scene control
  2. Convenient grouping
  3. Remote upgrade

## Accessories



- WIFI support IEEE 802.11b/g/n mode, allows Bluetooth smart devices to conveniently access cloud services, realize the Internet of everything.
- Support both wired and wireless WAN access, wireless master chip:AW7698,
- Support WIFI+BT double mode functionality Ethernet, master chip:M487,
- Support 10/100Mbps self-adaptive mode
- Support POE individual power supply method
- Operating Temperature: -10°C~+45°C
- Storage Temperature: -10°C~+85°C



- Support Blue communication method
- Direct control of the corresponding device via a key switch
- Wireless control and binding of devices via app
- Can be linked with control and security smart home devices
- Easy to implement local and remote control functions
- A variety of styles to choose form, to create a personalized intelligent space



- To expand EAGLERISE education lighting driver FLS-40-1000 ZigB LA/Blue LA, detect the illumination of the operating area, transmit the illumination information to the light source to realize CLO function
- Size: 35 X 23X 21.5mm (LxWxH)



- Comply with DALI IEC62386 DT8 standard protocol.
- Support brightness, color temperature adjustment.
- Have power save function.
- Integrated bus power supply.
- Protections:SCP/OLP/OVP
- Applications: Conference rooms /bar/Shop lighting

## Compatible Dimming System

### Eaglerise DALI driver compatible dimming system

NO.	DALI Dimming System	Trade Mark
1	MTN6725-0003	Schneider
2	MTN684032	Schneider
3	MTN628319	Schneider
4	MTN481119	Schneider

NO.	DALI Sensor	Trade Mark
1	DALileco LS/PD LI NP	OSRAM
2	DALileco LS/PD LI	OSRAM

NO.	DALI Dimmer	Trade Mark
1	DALileco Control	OSRAM
2	luxCONTROL x-touchPANEL	Tridonic

### Eaglerise TRIAC driver compatible dimming system

NO.	Dimmer Type	Trade Mark
1	2250	Busch
2	225TDE	Jung
3	400T	Legrand
4	5TC8 284	Siemens
5	0307 00/102	GIRA
6	5771	Mertem
7	2247U	Busch
8	6513U-102	Busch
9	32E450LM	CLIPSAL
10	0307 00/101	GIRA

NO.	Dimming System Type	Trade Mark
1	LQSE-4A1-D	LUTRON
	HQP6-2	LUTRON
	HQWIS-NB-NONE	LUTRON
2	MTN649315	Schneider
	MTN6725-0003	Schneider
	MTN684032	Schneider
	MTN628319	Schneider

### Eaglerise 0-10 V driver compatible dimming system

NO.	Dimmer Type	Trade Mark
1	Legrand 78404	Legrand
2	RMM-5T-DV-B	Lutron
3	UID8600/00	Philips

NO.	Dimming Sytem Type	Trade Mark
1	MTN646991	Schneider
2	MTN6725-0003	Schneider
3	MTN684032	Schneider
4	MTN628319	Schneider
5	MTN481119	Schneider



# LED DRIVER

## General - Constant Current

### - Linear

# Linear-DIP LD Series 20-150W

## Constant Current LED Driver-Linear

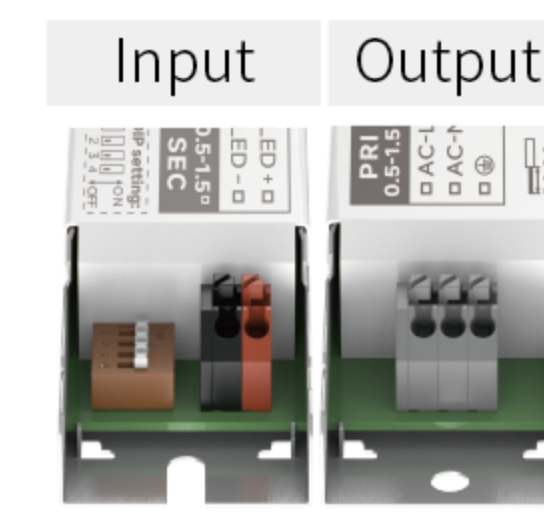
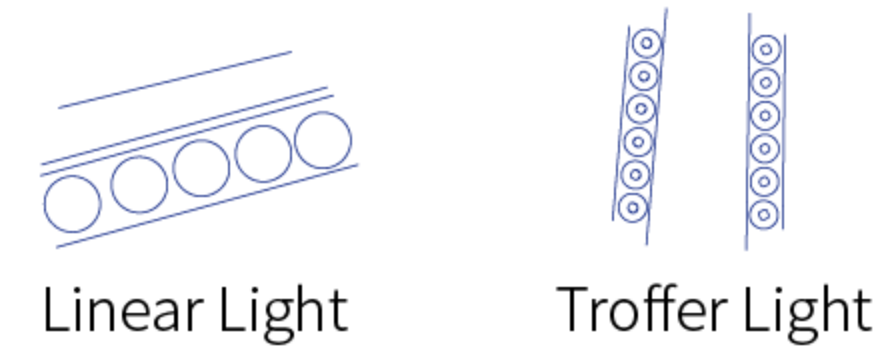


- Installation: Built-in
- Class I, Non-Isolated
- Protection: SCP/ OLP/ OVP
- Warranty: 5 years
- Smaller Size
- Flicker free
- High temperature resistance
- In accordance with the Zhaga agreement



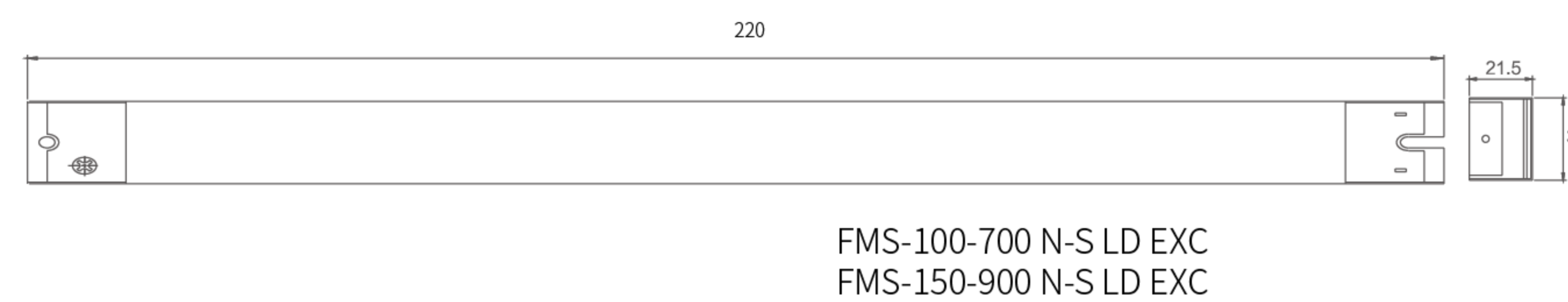
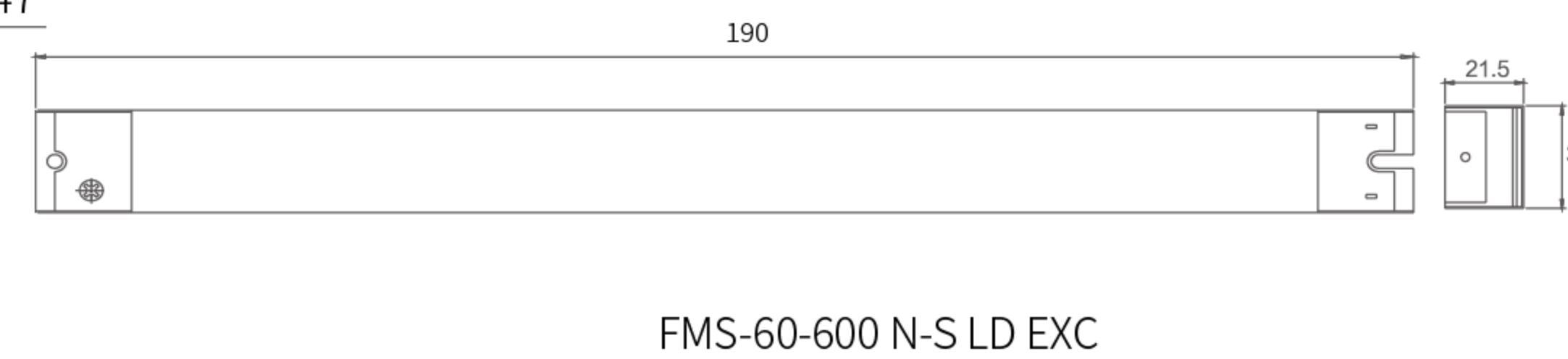
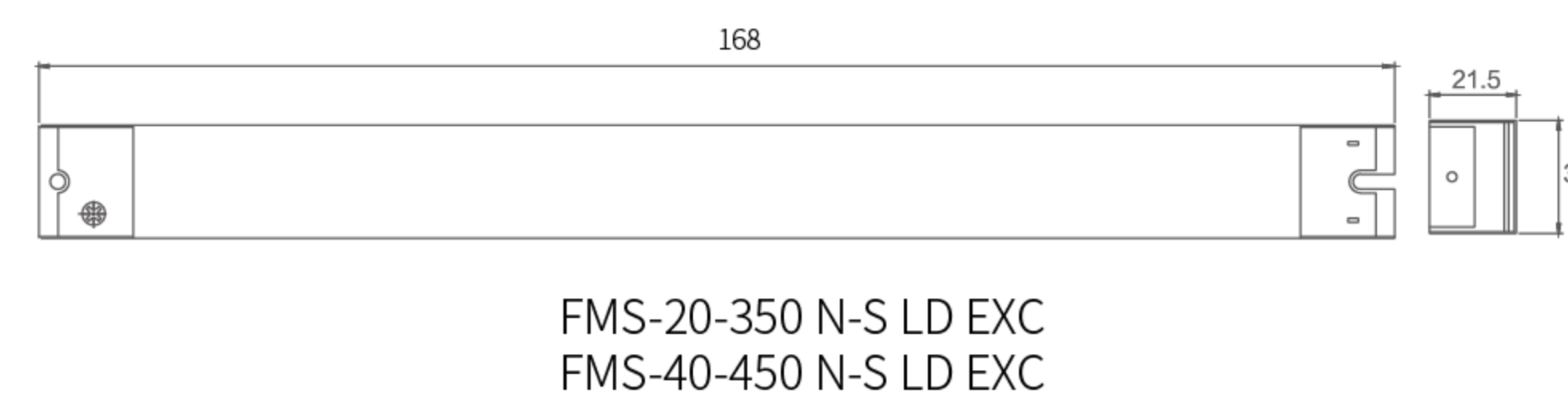
FMS-20-350 N-S LD EXC  
 FMS-40-450 N-S LD EXC  
 FMS-60-550 N-S LD EXC  
 FMS-100-700 N-S LD EXC  
 FMS-150-900 N-S LD EXC

Typical Applications:



Best Seller	Size (L*W*H)	Output	Range of Current	Typical Efficiency	No-load Power	Ta, Tc	Certification
FMS-20-350 N-S LD EXC	168*30*21	20W/ 350mA/ 40-220VDC	100-350mA	≥93%	≤0.5W	60°C/75°C	ENEC/ CB/ CE/ RCM/ CCC
FMS-40-450 N-S LD EXC	168*30*21	40W/ 450mA/ 40-220VDC	100-450mA	≥90%	≤0.5W	60°C/75°C	ENEC/ CB/ CE/ RCM/ CCC
FMS-60-600 N-S LD EXC	190*30*21	60W/ 600mA/ 40-220VDC	250-600mA	≥90%	≤0.5W	50°C/75°C	ENEC/ CB/ CE/ RCM/ CCC
FMS-100-700 N-S LD EXC	220*30*21	100W/ 700mA/ 40-220VDC	350-700mA	≥90%	≤0.5W	60°C/75°C	ENEC/ CB/ CE/ RCM/ CCC
FMS-150-900 N-S LD EXC	220*30*21	150W/ 900mA/ 40-220VDC	550-900mA	≥90%	≤0.5W	60°C/75°C	ENEC/ CB/ CE/ RCM/ CCC

Ac Input Voltage Range	220-240 VAC 50/60 Hz
Start-up Time	<0.5 s
Hold-up Time	1 s max
Withstand Voltage	Input-FG 1500 V/ 5 mA/ 1 min Output-FG 500V/ 5mA/ 1min
Safety Standards	IEC/EN 61347-1, IEC/EN61347-2-13, EN 62384
EMC Standards	EN55015, EN61000-3-2, EN61000-3-3, EN61547



# Linear-DIP LD Series 20-80W

## Constant Current LED Driver-Linear

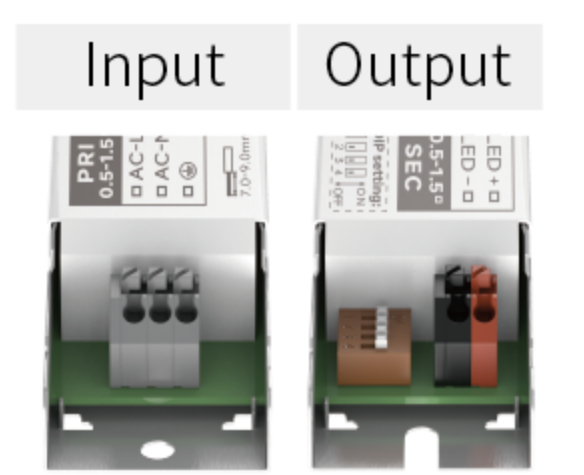
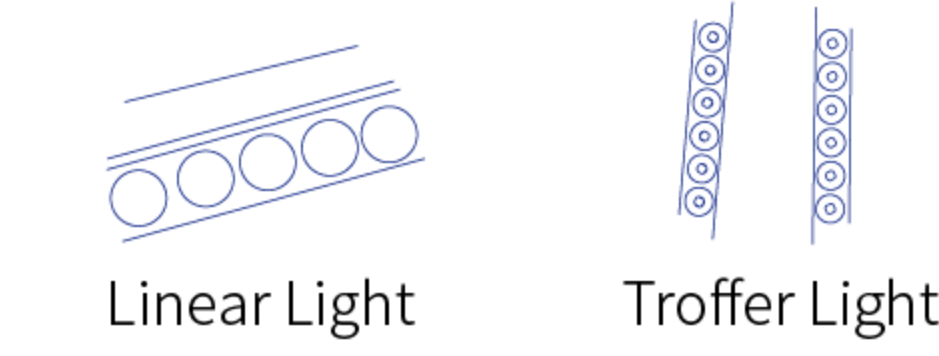


- Installation: Built-in
- Class I, Non-Isolated
- Protection: SCP/ OLP/ OVP
- Warranty: 5 years
- Flicker free



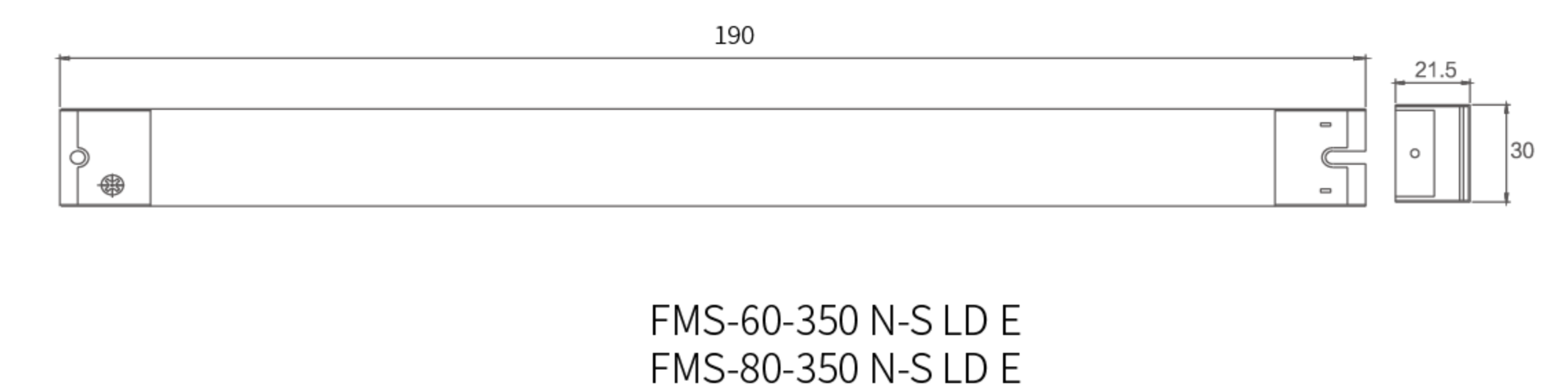
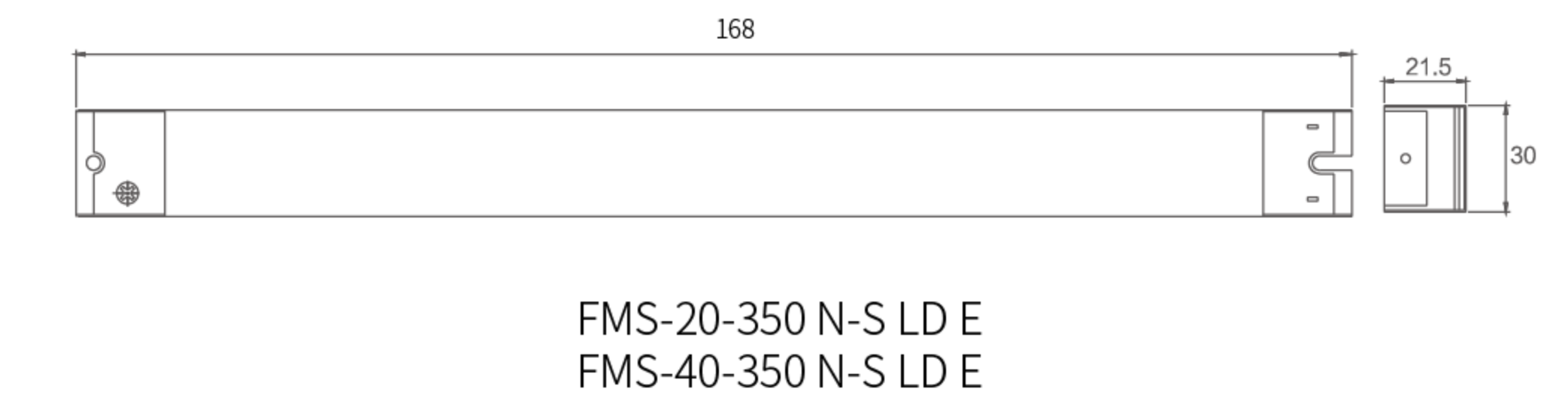
FMS-20-350 N-S LD E  
 FMS-40-350 N-S LD E  
 FMS-60-350 N-S LD E  
 FMS-80-350 N-S LD E

Typical Applications:



Best Seller	Size (L*W*H)	Output	Range of Current	Typical Efficiency	No-load Power	Ta, Tc	Certification
FMS-20-350 N-S LD E	168*30*21	20W/ 350mA/ 25-54VDC	200-350mA	<15% ≥85%	≤0.5W	50°C/70°C	ENEC/ CB/ CE/ RCM/ CCC
FMS-40-350 N-S LD E	168*30*21	40W/ 600mA/ 57-114VDC	200-350mA	<8% ≥90%	≤0.5W	50°C/70°C	ENEC/ CB/ CE/ RCM/ CCC
FMS-60-350 N-S LD E	190*30*21	60W/ 700mA/ 90-114VDC	200-350mA	<8% ≥92%	≤0.5W	50°C/75°C	ENEC/ CB/ CE/ RCM/ CCC
FMS-80-350 N-S LD E	190*30*21	80W/ 800mA/ 140-230VDC	200-350mA	<15% ≥91%	≤0.5W	50°C/75°C	ENEC/ CB/ CE/ RCM/ CCC

Ac Input Voltage Range	220-240 VAC 50/60 Hz
Start-up Time	<0.5 s
Hold-up Time	1 s max
Withstand Voltage	Input-FG 1500 V/ 5 mA/ 1 min Output-FG 500V/ 5mA/ 1min
Safety Standards	IEC/EN 61347-1, IEC/EN61347-2-13, EN 62384
EMC Standards	EN55015, EN61000-3-2, EN61000-3-3, EN61547





# Linear-NFC Series 20-80W

## Constant Current LED Driver-Linear

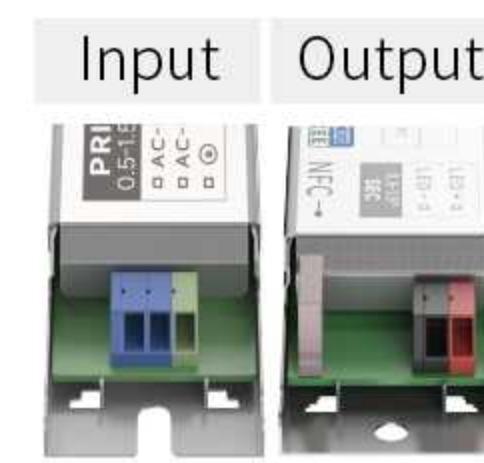
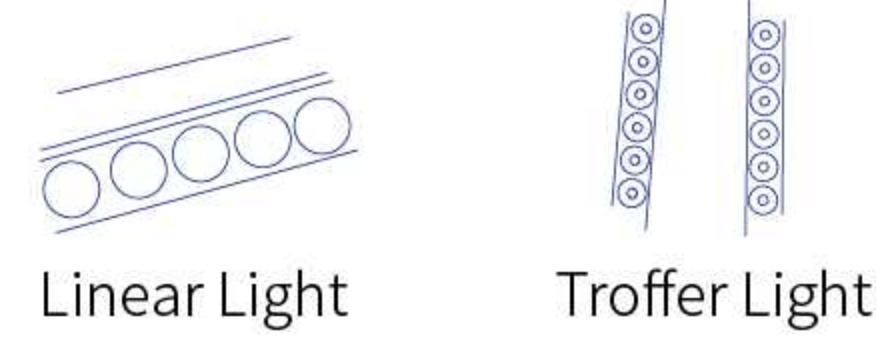


- Installation: Built-in
- Class I, Non-Isolated
- Protection: SCP/ OLP/ OVP
- Warranty: 5 years
- Output current adjustable by NFC
- Filicker free



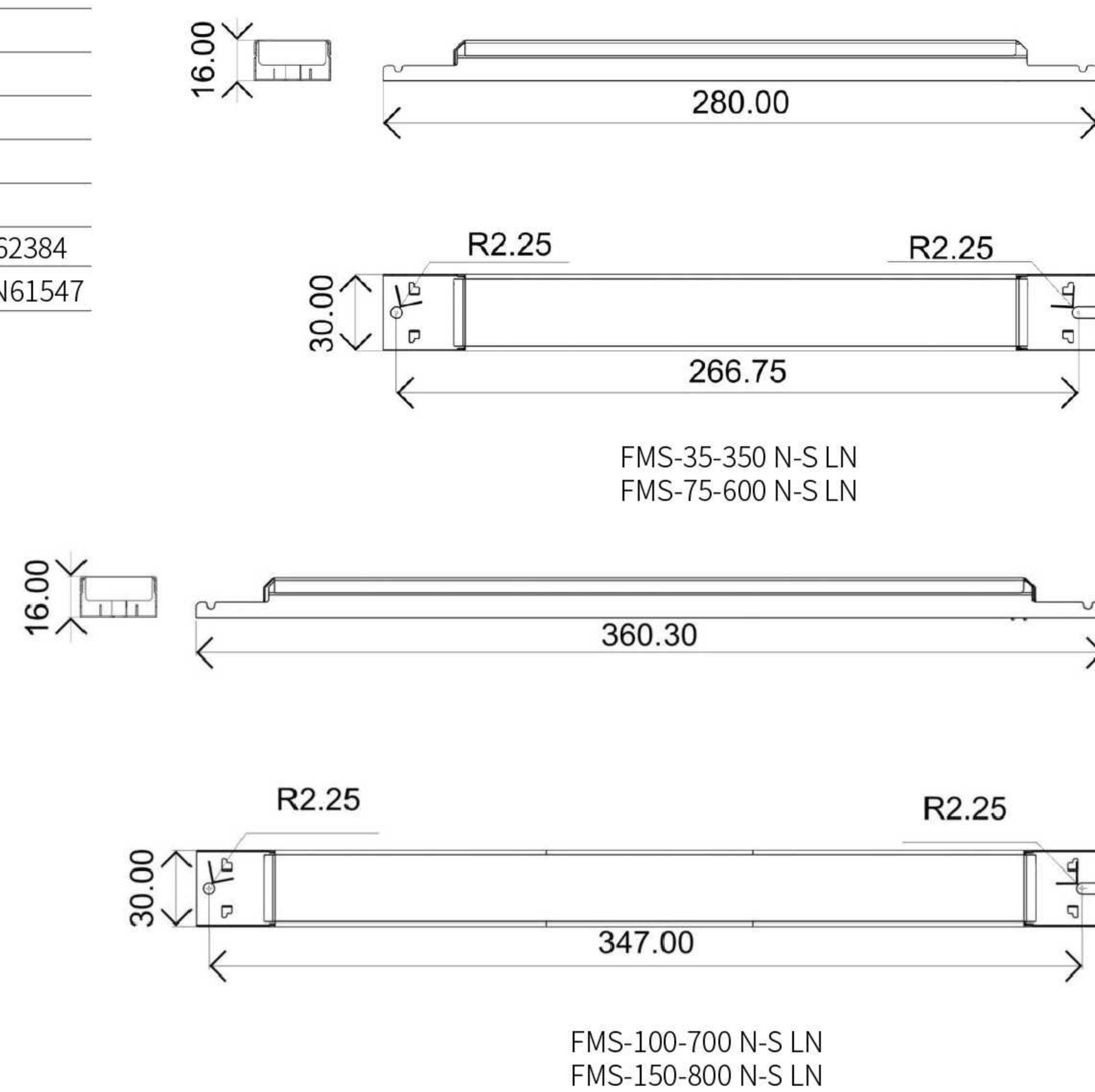
FMS-35-350 N-S LN  
FMS-75-600 N-S LN  
FMS-100-700 N-S LN  
FMS-150-800 N-S LN

### Typical Applications:



Best Seller	Size (L*W*H)	Output	Range of Current	THD	Typical Efficiency	No-load Power	Ta, Tc	Certification
FMS-35-350 N-S LN	280*30*16	35W/ 350mA/ 25-54VDC	80-350mA	<10%	≥91%	≤0.5W	60°C/75°C	CE/ ENEC/ CB/ EL
FMS-75-600 N-S LN	280*30*16	75W/ 600mA/ 57-114VDC	120-600mA	<10%	≥93%	≤0.5W	60°C/85°C	CE/ ENEC/ CB/ EL
FMS-100-700 N-S LN	360*30*16	100W/ 700mA/ 90-114VDC	200-700mA	<10%	≥95%	≤0.5W	60°C/80°C	CE/ ENEC/ CB/ EL
FMS-150-800 N-S LN	360*30*16	150W/ 800mA/ 140-230VDC	200-800mA	<12%	≥95%	≤0.5W	60°C/75°C	CE/ ENEC/ CB/ EL

Ac Input Voltage Range	220-240 VAC 50/60 Hz
Start-up Time	<0.5 s
Hold-up Time	1 s max
Withstand Voltage	Input-FG 1500 V/ 5 mA/ 1 min Output-FG 500V/ 5mA/ 1min
Safety Standards	IEC/EN 61347-1, IEC/EN61347-2-13, EN 62384
EMC Standards	EN55015, EN61000-3-2, EN61000-3-3, EN61547



# Linear-DIP LD Series 35-80W

## Constant Current LED Driver-Linear



- Installation: Built-in
- Class II, Isolated
- Protection: SCP/ OLP/ OVP
- Warranty: 5 years
- Filicker free

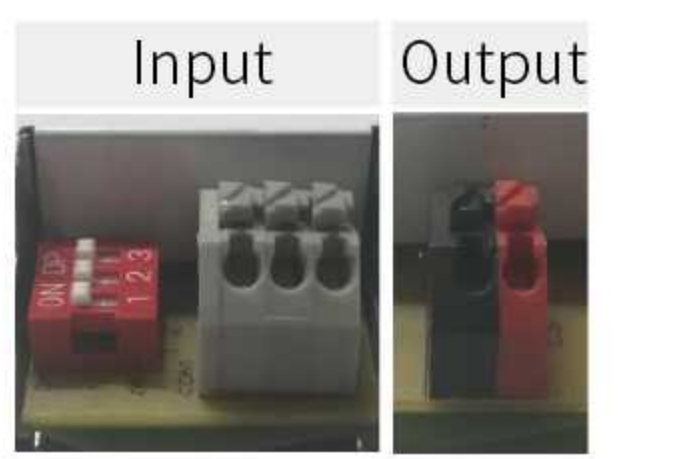
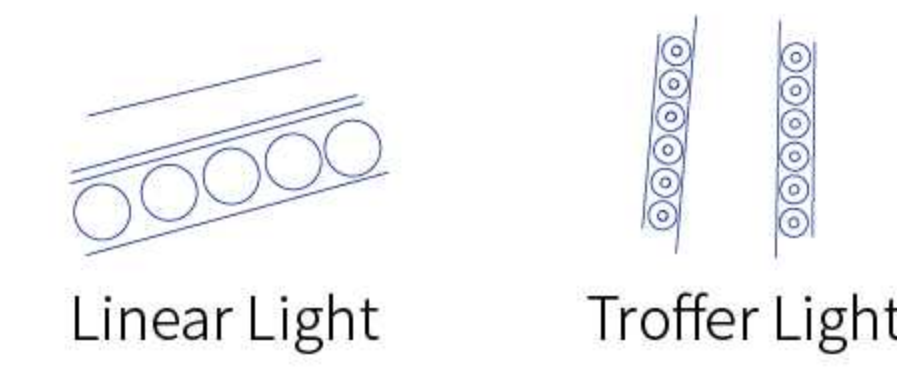


FMS-35-700 LD



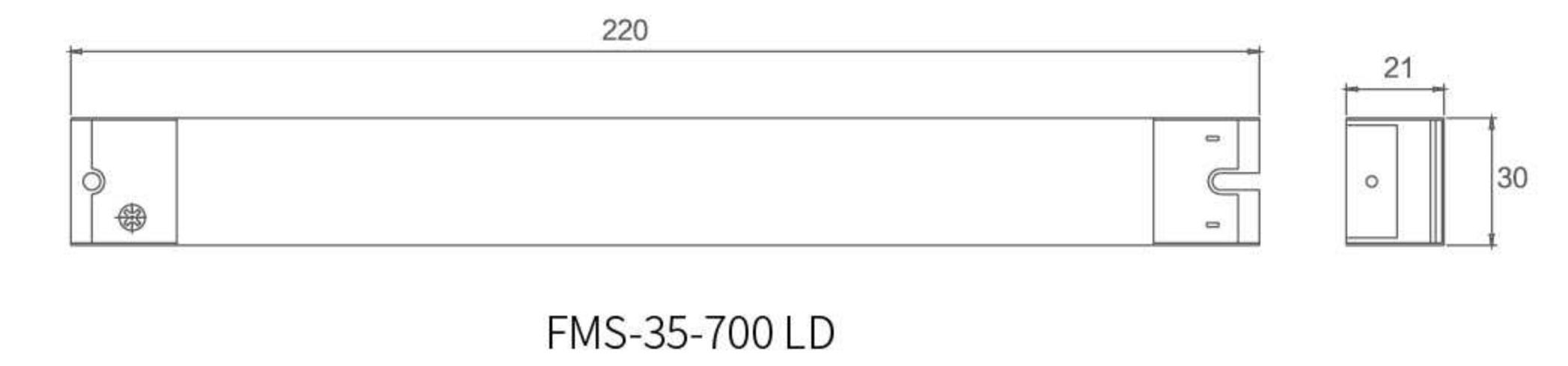
FMS-55-1050 LD  
FMS-80-1600 LD

### Typical Applications:

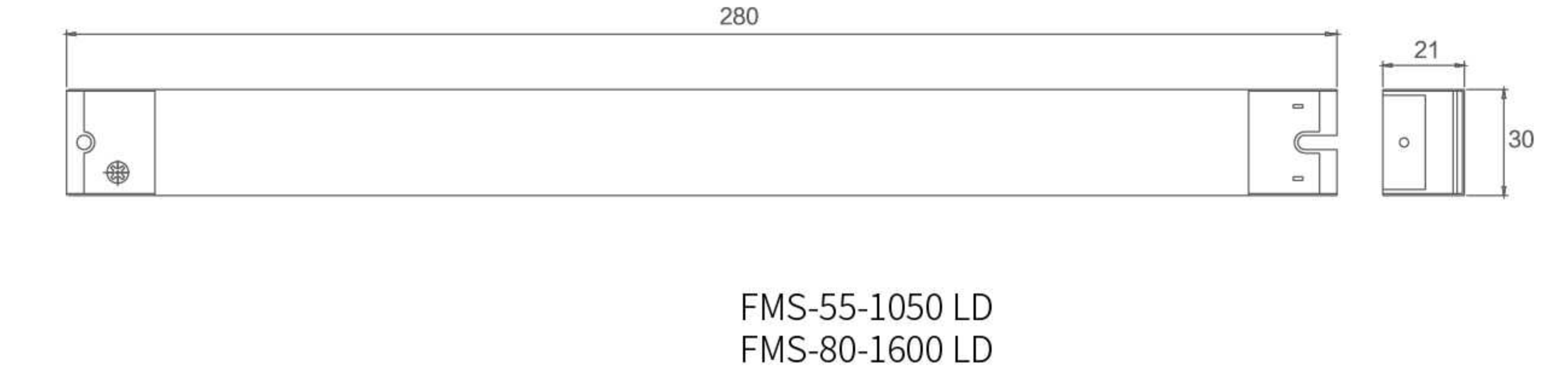


Best Seller	Size (L*W*H)	Output	Range of Current	THD	Typical Efficiency	No-load Power	Inrush Current	Ta, Tc	Certification
FMS-35-700 LD	220*30*21	35W/ 700mA/ 15-52VDC	300-700mA	<15%	≥88%	≤0.5W	30A	50°C/75°C	CE/ CB/ CCC/ ENEC
FMS-55-1050 LD	280*30*21	55W/ 1050mA/ 36-52VDC	800-1050mA	<15%	≥90%	≤0.5W	40A	50°C/75°C	CE/ CB/ CCC/ ENEC
FMS-80-1600 LD	280*30*21	80W/ 1600mA/ 36-52VDC	1200-1600mA	<15%	≥90%	≤0.5W	50A	50°C/80°C	CE/ CB/ CCC/ ENEC

Ac Input Voltage Range	220-240 VAC 50/60 Hz
Start-up Time	<0.5 s
Hold-up Time	1 s max
Withstand Voltage	Input-FG 1500 V/ 5 mA/ 1 min Output-FG 500V/ 5mA/ 1min
Safety Standards	IEC/EN 61347-1, IEC/EN61347-2-13, EN 62384
EMC Standards	EN55015, EN61000-3-2, EN61000-3-3, EN61547



Vo	Po	Io	1	2	3
15-52 VDC	15.6 W	300 mA	/	/	/
15-52 VDC	18.2 W	350 mA	ON	/	/
15-52 VDC	26 W	500 mA	/	ON	/
15-52 VDC	31.2 W	600 mA	/	/	ON
15-52 VDC	36.4 W	700 mA	/	ON	ON



Vo	Po	Io	1	2	3
36-52 VDC	41.6 W	800 mA	/	/	/
36-52 VDC	46.8 W	900 mA	/	/	ON
36-52 VDC	49.4 W	950 mA	/	ON	/
36-52 VDC	52 W	1000 mA	ON	/	ON
36-52 VDC	54.6 W	1050 mA	ON	ON	/

Vo	Po	Io	1	2	3
36-52 VDC	62.4 W	1200 mA	/	/	/
36-52 VDC	67.6 W	1300 mA	/	/	ON
36-52 VDC	72.8 W	1400 mA	/	ON	/
36-52 VDC	78 W	1500 mA	ON	/	/
36-52 VDC	80 W	1600 mA	ON	ON	/

Factory Default

# Linear-DIP LD Series 12-60W

## Constant Current LED Driver-Linear



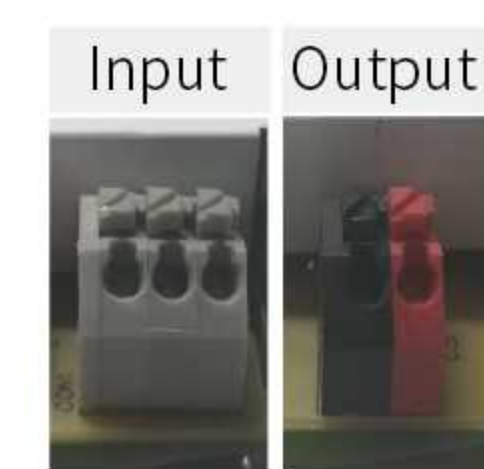
CB CE SELV

- Installation: Built-in
- Class II, Isolated
- Protection: SCP/ OLP/ OVP
- Warranty: 5 years
- Flicker free

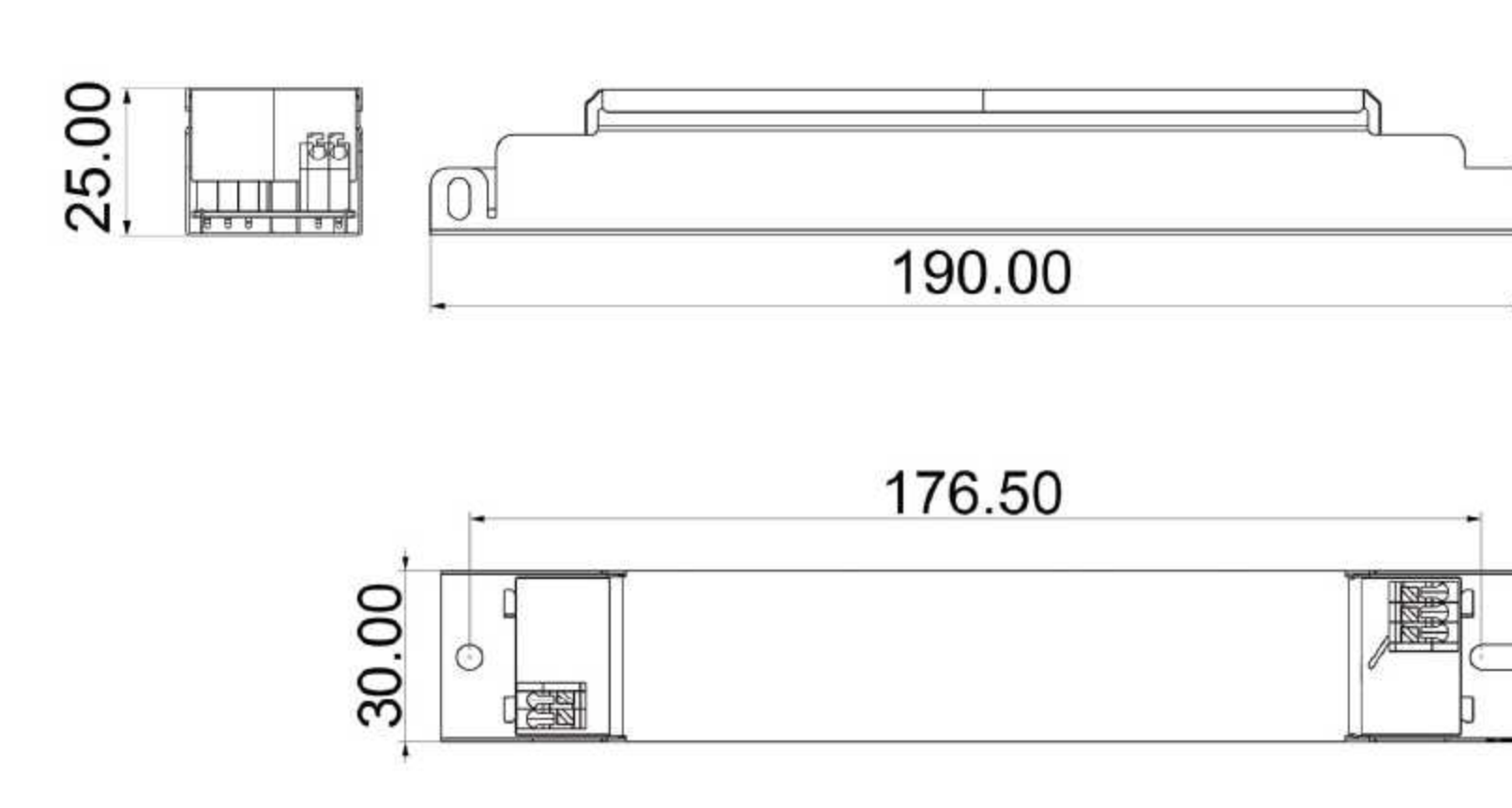
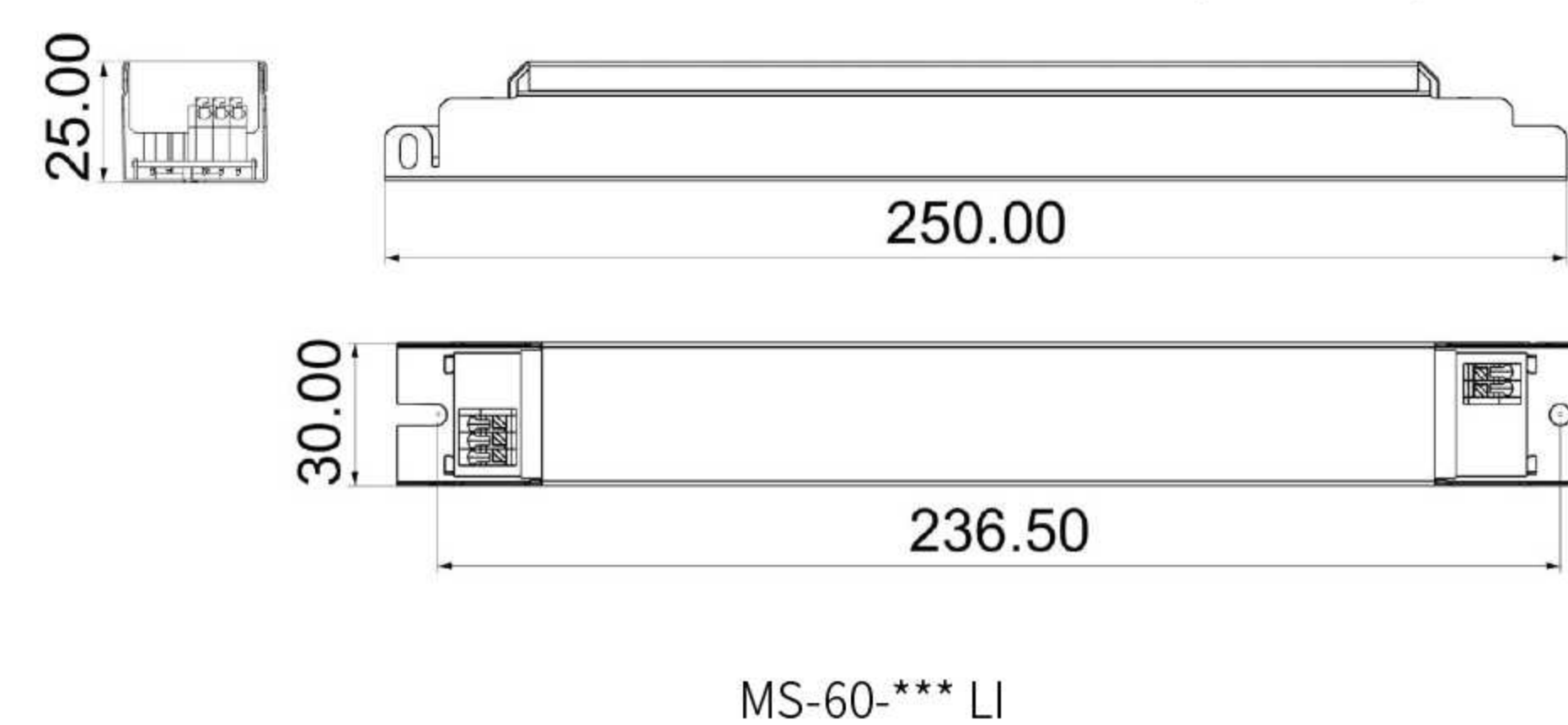


MS-12-XXX-LI  
MS-20-XXX LI  
MS-40-XXX LI  
MS-60-XXX LI

Typical Applications:



Best Seller	Size (L*W*H)	Output	THD	Typical Efficiency	No-load Power	Ta, Tc	Certification
MS-12-200 LI MS-12-250 LI MS-12-300 LI MS-12-350 LI	190*30*25	12W/ 200mA/ 24-42VDC 12W/ 250mA/ 24-42VDC 12W/ 300mA/ 24-42VDC 12W/ 350mA/ 24-40VDC	<20%	80%	<0.5W	60°C/75°C	ENEC/ CB/ CE/ RCM
MS-20-450 LI MS-20-500 LI MS-20-550 LI	190*30*25	20W/ 450mA/ 24-42VDC 20W/ 500mA/ 24-42VDC 20W/ 550mA/ 24-40VDC	<20%	85%	<0.5W	60°C/75°C	ENEC/ CB/ CE/ RCM
MS-40-650 LI MS-40-700 LI MS-40-750 LI MS-40-800 LI MS-40-950 LI MS-40-1000 LI	190*30*25	40W/ 650mA/ 24-42VDC 40W/ 700mA/ 24-42VDC 40W/ 750mA/ 24-42VDC 40W/ 800mA/ 24-42VDC 40W/ 950mA/ 24-42VDC 40W/ 1000mA/ 24-40VDC	<10%	88%	<0.5W	60°C/80°C	ENEC/ CB/ CE/ RCM
MS-60-1050 LI MS-60-1100 LI MS-60-1150 LI MS-60-1250 LI MS-60-1300 LI MS-60-1400 LI MS-60-1450 LI MS-60-1500 LI	250*30*25	60W/ 1050mA/ 28-52VDC 60W/ 1100mA/ 28-52VDC 60W/ 1150mA/ 28-52VDC 60W/ 1250mA/ 28-48VDC 60W/ 1300mA/ 24-42VDC 60W/ 1400mA/ 24-42VDC 60W/ 1450mA/ 24-42VDC 60W/ 1500mA/ 24-40VDC	<10%	88%	<0.5W	60°C/85°C	ENEC/ CB/ CE/ RCM



Ac Input Voltage Range	220-240 VAC 50/60 Hz
Start-up Time	<0.5 s
Hold-up Time	1 s max
Withstand Voltage	Input-FG 1500 V/ 5 mA/ 1 min Output-FG 500V/ 5mA/ 1min
Safety Standards	IEC/EN 61347-1, IEC/EN61347-2-13, EN 62384
EMC Standards	EN55015, EN61000-3-2, EN61000-3-3, EN61547

MS-12-\*\*\* LI  
MS-20-\*\*\* LI  
MS-40-\*\*\* LI



# LED DRIVER

## General - Constant Current

### - Compact

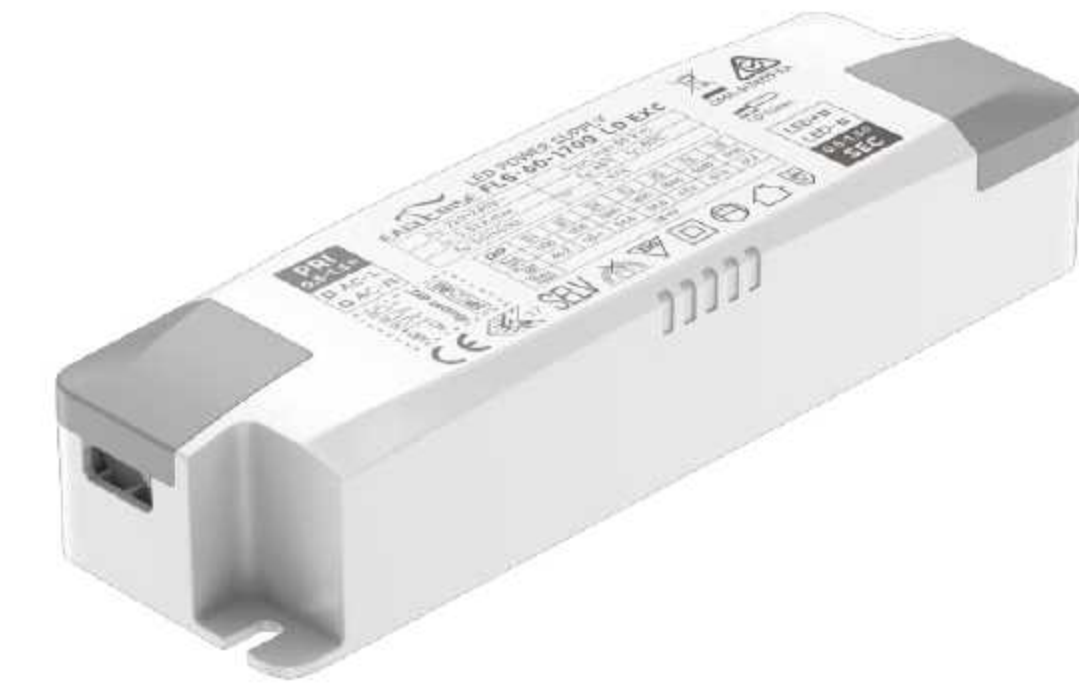
# Compact-Dip Switch Series 60W

## Constant Current LED Driver-Compact



CB CE SELV

- Class II, SELV, Independent
- Input Voltage: 220-240VAC
- Protection: SCP/ OLP/ OVP
- Power Factor:  $\geq 0.95$
- Efficiency: 88%
- Warranty: 5 years
- IP20

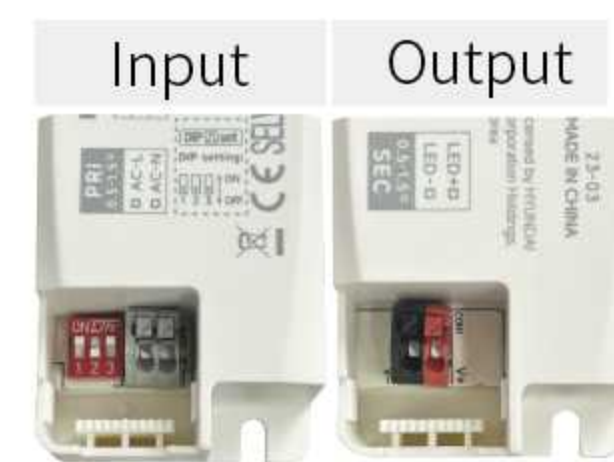


FLS-60-1700 LA EXC

Typical Applications:

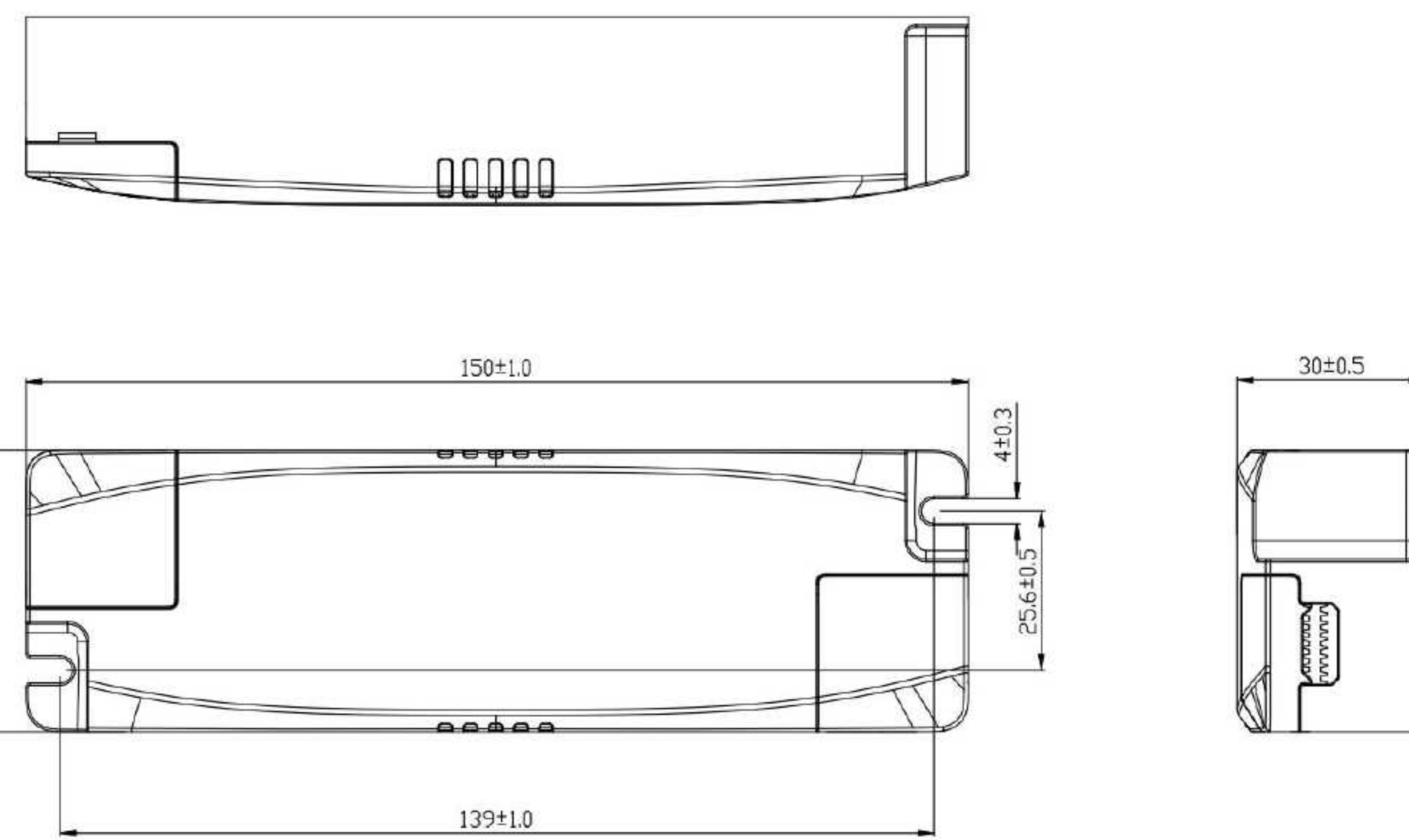


Spot Light Panel Light Down Light



Best Seller	Size (L*W*H)	Output	Range of Current	THD	Typical Efficiency	No-load Power	Ta, Tc	Certification
FLS-60-1700 LA EXC	150*45*30	60W/ 1700mA/ 27-42VDC	1100-1700mA	<10%	88%	$\leq 0.5W$	45°C/80°C	CE/ CB/ ENEC/ CCC/ RCM

Ac Input Voltage Range	220-240 VAC 50/60 Hz
Start-up Time	<0.5 s
Hold-up Time	1 s max
Withstand Voltage	Input-Output 3750 V/ 5 mA/ 1 min
Safety Standards	EN61347-1, IEC/ EN61347-2-13, EN62384
EMC Standards	EN55015, EN61000-3-2, EN61000-3-3, EN61547



FLS-60-1700 LA EXC

FLS-60-1700 LA EXC

Vo	Po	Io	1	2	3
24-42 VDC	46.2 W	1100 mA	/	/	/
24-42 VDC	50.4 W	1200 mA	ON	/	/
24-42 VDC	54.6 W	1300 mA	/	ON	/
24-42 VDC	58.8 W	1400 mA	/	/	ON
24-42 VDC	63 W	1500 mA	ON	/	ON
24-36 VDC	57.6 W	1600 mA	/	ON	ON
24-36 VDC	40.4 W	1700 mA	ON	ON	ON

Factory Default

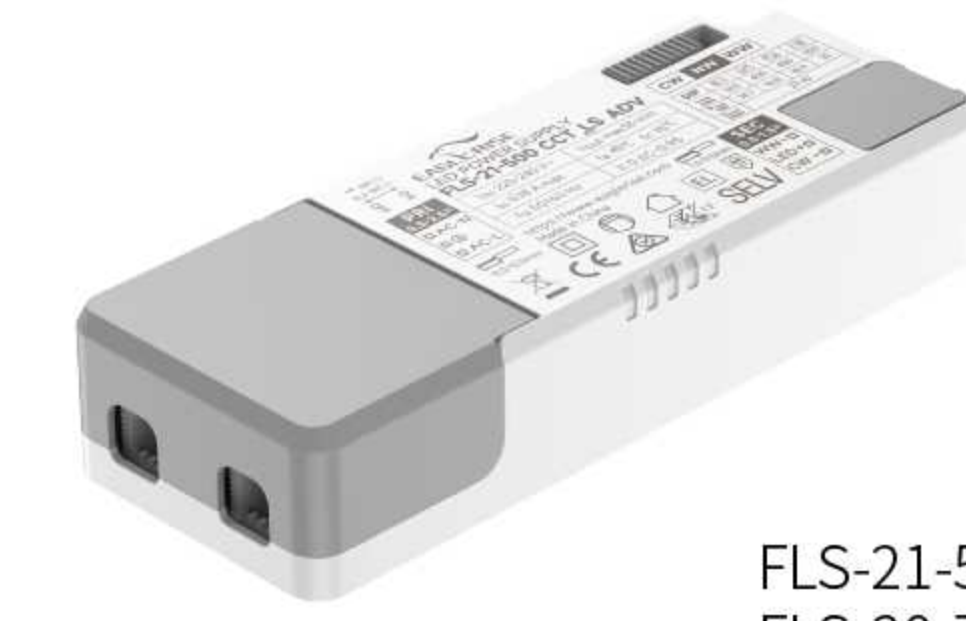
# 2L2N-CCT Series 21-44W

## Constant Current LED Driver-Compact



CB CE SELV

- Class II, SELV, Independent
- Input Voltage: 220-240VAC
- Protections: SCP/OLP/OVP
- Power Factor: 0.95
- Efficiency: 88%
- 5 years warranty
- IP20
- Loop in, loop out

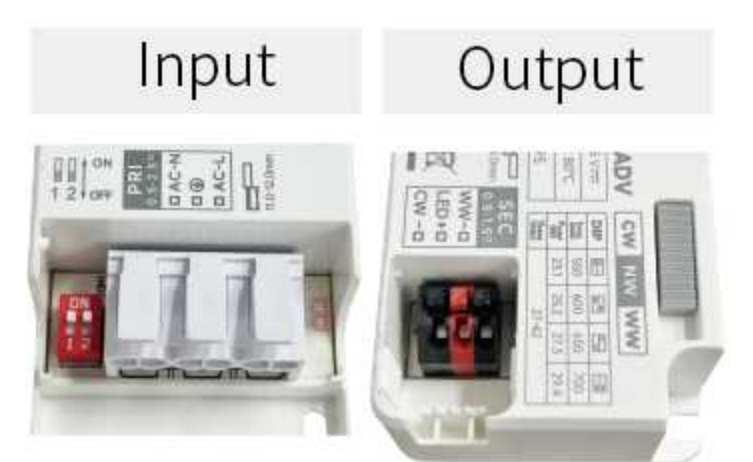


FLS-21-500 CCT LS ADV  
FLS-30-700 CCT LS ADV  
FLS-38-900 CCT LS ADV  
FLS-44-1050 CCT LS ADV

Typical Applications:



Panel light



Best Seller	Size (L*W*H)	Output	Range of Current	THD	Typical Efficiency	No-load Power	Ta, Tc	Certification
FLS-21-500 CCT LS ADV	133.5*50*36	21W/ 500mA/ 27-42VDC	350-500mA	<10%	88%	$\leq 0.5W$	45°C/75°C	CE/ CB/ ENEC
FLS-30-700 CCT LS ADV	133.5*50*36	30W/ 700mA/ 27-42VDC	550-700mA	10%	88%	$\leq 0.5W$	45°C/75°C	CE/ CB/ ENEC
FLS-38-900 CCT LS ADV	133.5*50*36	38W/ 900mA/ 27-42VDC	750-900mA	<10%	89%	$\leq 0.5W$	45°C/85°C	CE/ CB/ ENEC
FLS-44-1050 CCT LS ADV	133.5*50*36	44W/ 1050mA/ 27-42VDC	900-1050mA	10%	88%	$\leq 0.5W$	45°C/85°C	CE/ CB/ ENEC

Ac Input Voltage Range	220-240 VAC 50/60 Hz
Start-up Time	<0.5 s
Hold-up Time	1 s max
Withstand Voltage	Input-Output 3750 V/ 5 mA/ 1 min
Safety Standards	EN61347-1, IEC/ EN61347-2-13, EN62384
EMC Standards	EN55015, EN61000-3-2, EN61000-3-3, EN61547

FLS-21-500 CCT LS ADV

Vo	Po	Io	1	2
27-42 VDC	14.7 W	350 mA	/	/
27-42 VDC	16.8 W	400 mA	ON	/
27-42 VDC	18.9 W	450 mA	/	ON
27-24 VDC	21 W	500 mA	ON	ON

FLS-30-700 CCT LS ADV

Vo	Po	Io	1	2
27-42 VDC	23.1 W	550 mA	/	/
27-42 VDC	25.2 W	600 mA	ON	/
27-42 VDC	27.3 W	650 mA	/	ON
27-24 VDC	29.4 W	700 mA	ON	ON

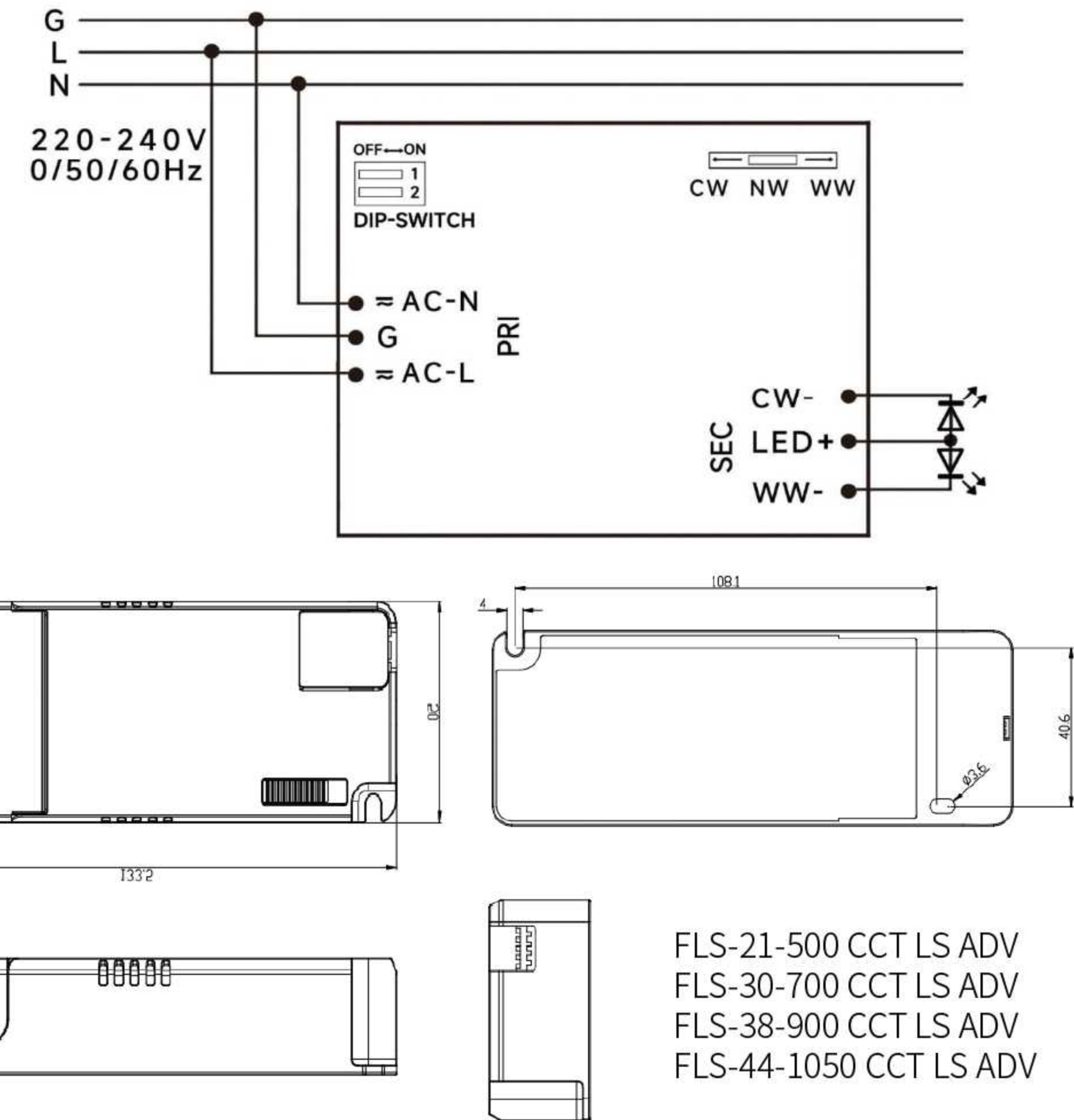
FLS-38-900 CCT LS ADV

Vo	Po	Io	1	2
27-42 VDC	31.5 W	750 mA	/	/
27-42 VDC	33.6 W	800 mA	ON	/
27-42 VDC	35.7 W	850 mA	/	ON
27-24 VDC	37.8 W	900 mA	ON	ON

FLS-44-1050 CCT LS ADV

Vo	Po	Io	1	2
27-42 VDC	37.8 W	900 mA	/	/
27-42 VDC	39.9 W	950 mA	ON	/
27-42 VDC	42 W	1000 mA	/	ON
27-24 VDC	44.1 W	1050 mA	ON	ON

Factory Default



FLS-21-500 CCT LS ADV  
FLS-30-700 CCT LS ADV  
FLS-38-900 CCT LS ADV  
FLS-44-1050 CCT LS ADV

# Compact-High PF Series 8-20W Constant Current LED Driver



- Class II, SELV, Independent
- Input Voltage 220-240VAC
- Protections: SCP/OLP/OVP
- Power Factor : 0.95
- 5 years warranty



LS-8-\*\*\* LI EXC

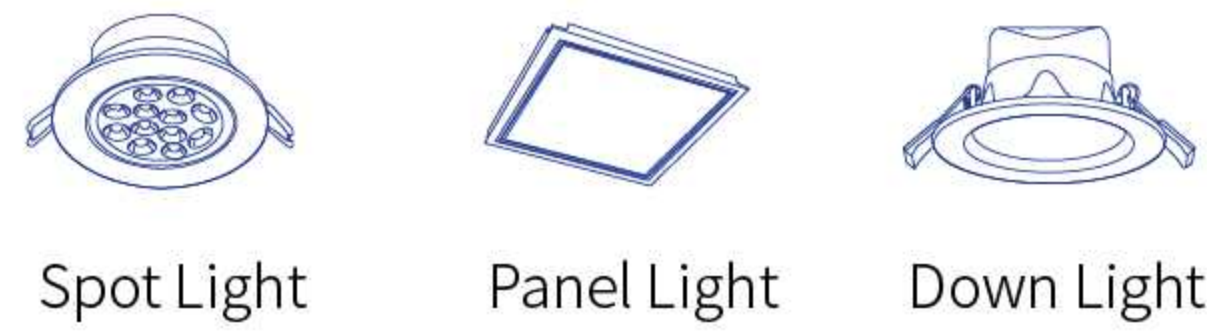


LS-12-\*\*\* LI EXC

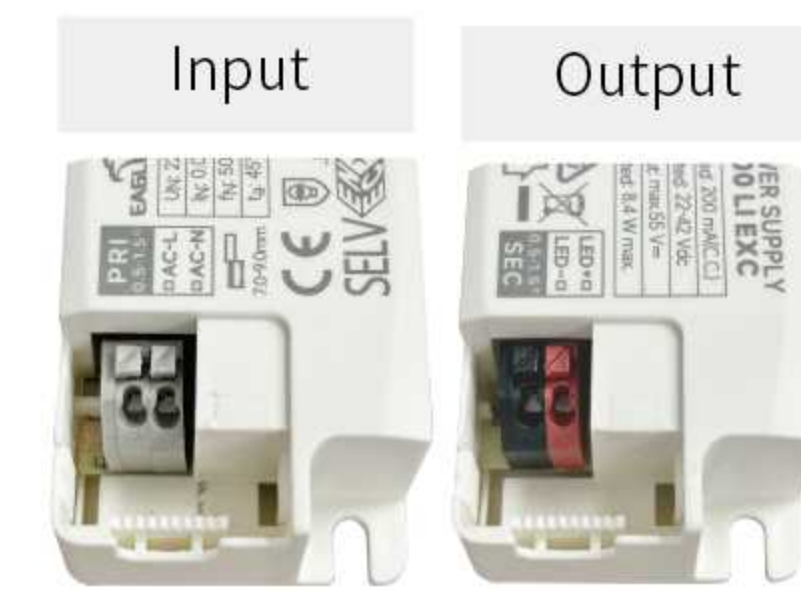


LS-20-\*\*\* LI EXC

Typical Applications:

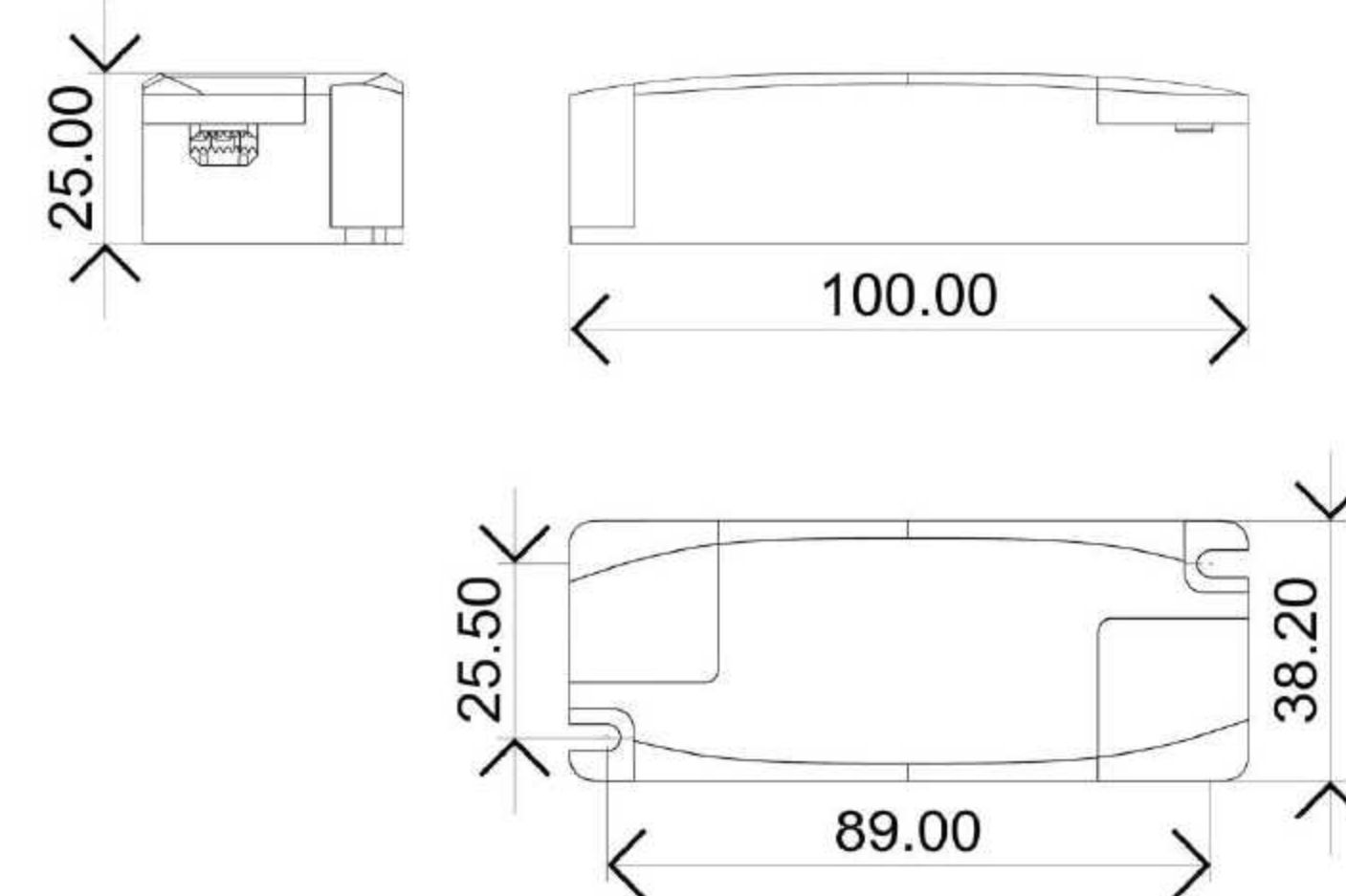


Spot Light    Panel Light    Down Light



Best Seller	Size (L*W*H)	Output	Typical Efficiency	No-load Power	Ta, Tc	Certification
LS-8-120 LI EXC LS-8-150 LI EXC LS-8-180 LI EXC LS-8-200 LI EXC LS-8-220 LI EXC LS-8-250 LI EXC LS-8-300 LI EXC LS-8-350 LI EXC	100*38.2*25	8W/ 120mA/ 27-50VDC 8W/ 150mA/ 27-50VDC 8W/ 180mA/ 22-42VDC 8W/ 200mA/ 22-42VDC 8W/ 220mA/ 22-42VDC 8W/ 250mA/ 14-27VDC 8W/ 300mA/ 14-27VDC 8W/ 350mA/ 12-24VDC	≥78%	≤0.5W	55°C/75°C	CE/ CB/ RCM/ CCC/ ENEC
LS-12-250 LI EXC LS-12-300 LI EXC LS-12-350 LI EXC	100*38.2*25	12W/ 250mA/ 24-42VDC 12W/ 300mA/ 24-42VDC 12W/ 350mA/ 24-40VDC	≥81%	≤0.5W	45°C/75°C	CE/ CB/ RCM/ CCC/ ENEC
LS-20-350 LI EXC LS-20-400 LI EXC LS-20-450 LI EXC LS-20-500 LI EXC LS-20-600 LI EXC LS-20-700 LI EXC	100*38.2*25	20W/ 350mA/ 40-60VDC 20W/ 400mA/ 24-42VDC 20W/ 450mA/ 24-42VDC 20W/ 500mA/ 24-42VDC 20W/ 600mA/ 24-40VDC 20W/ 700mA/ 18-30VDC	≥85%	≤0.5W	45°C/80°C	CE/ CB/ RCM/ CCC/ ENEC

Ac Input Voltage Range	220-240 VAC 50/60 Hz
Start-up Time	<0.5 s
Hold-up Time	1 s max
Withstand Voltage	Input-Output 3750 V/ 5 mA/ 1 min
Safety Standards	IEC/EN 61347-1, IEC/EN61347-2-13, EN 62384, GB19510.1, GB19510.14
EMC Standards	EN55015, EN61000-3-2, EN61000-3-3, EN61547, GB/T 17743, GB17625.1



LS-8-\*\*\* LI EXC  
LS-12-\*\*\* LI EXC  
LS-20-\*\*\* LI EXC

# Compact-High PF Series 40W Constant Current LED Driver



- Installation: Independent
- Class II , Isolated
- Protection: SCP/ OLP/ OVP
- Warranty: 5 years
- Power Factor: 0.95
- Efficiency: 89%
- IP20/40

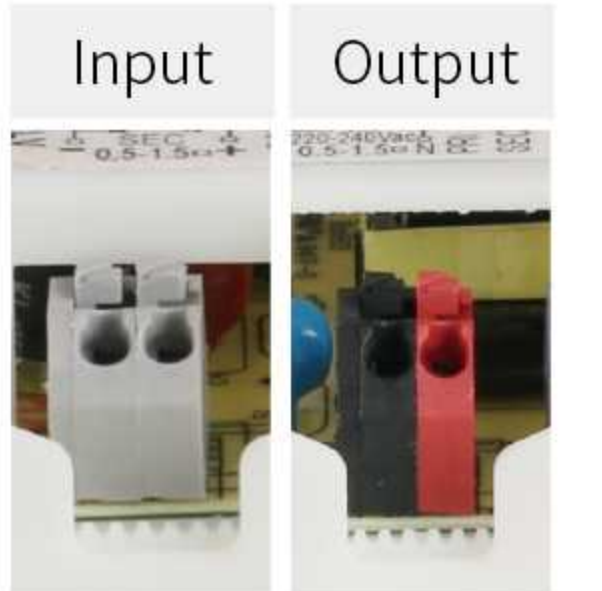


LS-40-\*\*\* LI ECO

Typical Applications:



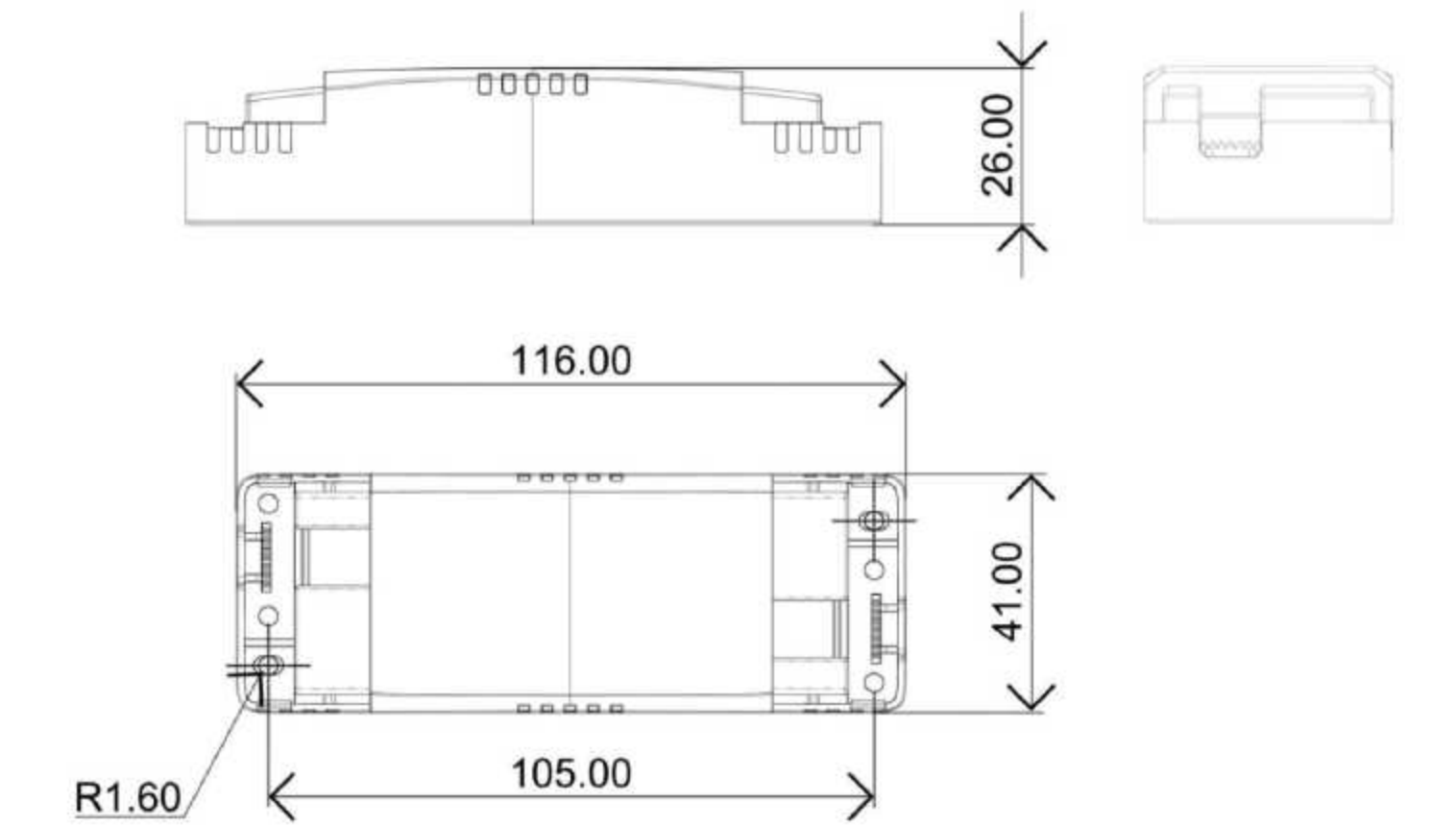
Spot Light    Panel Light    Down Light



Best Seller	Size (L*W*H)	Output	Typical Efficiency	No-load Power	Ta, Tc	Certification
LS-40-600 LI ECO LS-40-700 LI ECO LS-40-750 LI ECO LS-40-800 LI ECO LS-40-850 LI ECO LS-40-900 LI ECO LS-40-950 LI ECO LS-40-1000 LI ECO LS-40-1050 LI ECO	116*41*26	40W/ 600mA/ 24-42VDC 40W/ 700mA/ 24-42VDC 40W/ 750mA/ 24-42VDC 40W/ 800mA/ 24-42VDC 40W/ 850mA/ 24-42VDC 40W/ 900mA/ 24-42VDC 40W/ 950mA/ 24-42VDC 40W/ 1000mA/ 24-42VDC 40W/ 1050mA/ 24-38.5VDC	≥89%	≤0.5W	45°C/80°C	CE/ CB/ RCM/ CCC/ ENEC

• : Regular Stock

Ac Input Voltage Range	220-240 VAC 50/60 Hz
Start-up Time	<0.5 s
Hold-up Time	1 s max
Withstand Voltage	Input-Output 3750 V/ 5 mA/ 1 min
Safety Standards	IEC/EN 61347-1, IEC/EN61347-2-13, EN 62384, GB19510.1, GB19510.14
EMC Standards	EN55015, EN61000-3-2, EN61000-3-3, EN61547, GB/T 17743, GB17625.1



LS-40-\*\*\* LI ECO

# Compact-High PF 50-60W Constant Current LED Driver

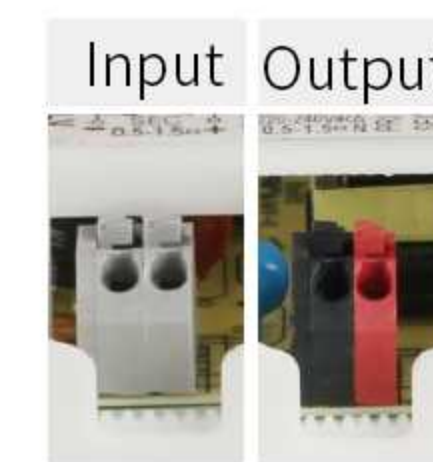


- Installation: Independent
- Class II , Isolated
- Protection: SCP/ OLP/ OVP
- Warranty: 5 years
- Flicker free



LS-50-\*\*\* LI2  
LS-60-\*\*\* LI2

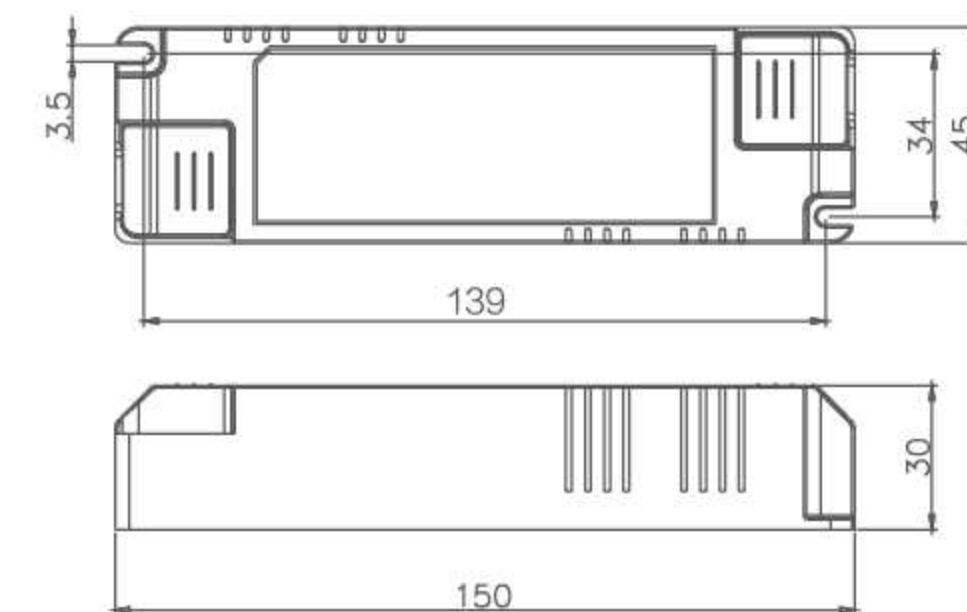
### Typical Applications:



Best Seller	Size (L*W*H)	Output	THD	Typical Efficiency	No-load Power	Inrush Current	Ta, Tc	Certification
LS-50-600 LI2 • LS-50-1200 LI2	150*45*30	50W/ 600mA/ 56-80VDC 50W/ 1200mA/ 28-42VDC	<10%	≥89%	≤0.5W	30A	45°C/75°C	CE/ CB/ RCM/ CCC/ ENEC
LS-60-1200 LI2 • LS-60-1400 LI2 LS-60-1500 LI2	150*45*30	60W/ 1200mA/ 35-50VDC 60W/ 1400mA/ 28-42VDC 60W/ 1500mA/ 28-41VDC	<10%	≥89%	≤0.5W	30A	45°C/75°C	CE/ CB/ RCM/ CCC/ ENEC

• : Regular Stock

Ac Input Voltage Range	220-240 VAC 50/60 Hz
Start-up Time	<0.5 s
Hold-up Time	1 s max
Withstand Voltage	Input-Output 3750 V/ 5 mA/ 1 min
Safety Standards	IEC/EN 61347-1, IEC/EN61347-2-13, EN 62384, GB19510.1, GB19510.14
EMC Standards	EN55015, EN61000-3-2, EN61000-3-3, EN61547, GB/T 17743, GB17625.1



LS-60-\*\*\* LI2  
LS-50-\*\*\* LI2

# Compact-High PF Series 6-12W Constant Current LED Driver



- Installation: Built-in
- Class I, Isolated
- Protection: SCP/ OLP/ OVP
- Warranty: 5 years
- Flicker free

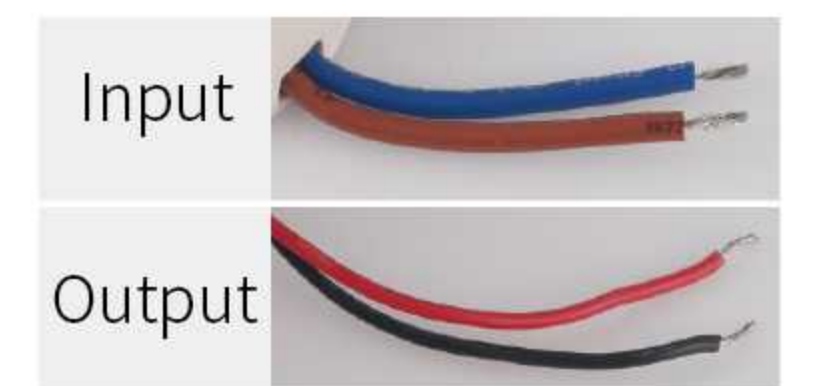


SH-6-\*\*\* LB-G



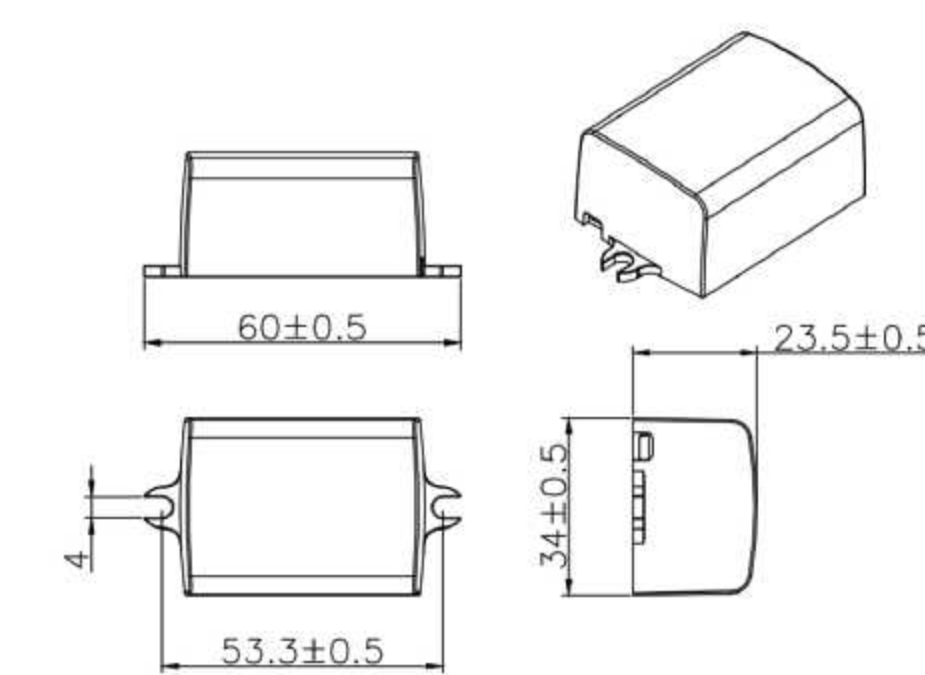
SH-12-\*\*\* LB-G

### Typical Applications:

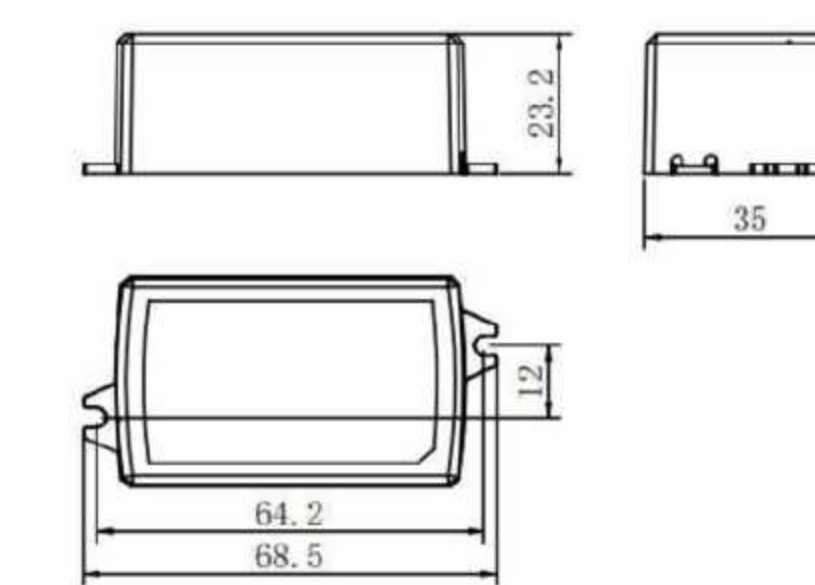


Best Seller	Size (L*W*H)	Output	Typical Efficiency	No-load Power	Inrush Current	Ta, Tc	Certification
SH-6-300 LB-G SH-6-350 LB-G SH-6-500 LB-G SH-6-700 LB-G	60*34*23.5	6W/ 300mA/ 13-23VDC 6W/ 350mA/ 12-21VDC 6W/ 500mA/ 6-13VDC 6W/ 700mA/ 5.5-10.5VDC	≥67%	≤0.5W	10A	50°C/85°C	CE/ CB/ RCM/ ENEC
SH-12-300 LB-G SH-12-350 LB-G SH-12-500 LB-G SH-12-700 LB-G	68.5*35*23.2	12W/ 300mA/ 25-42VDC 12W/ 350mA/ 20-36VDC 12W/ 500mA/ 16-27VDC 12W/ 700mA/ 11-18.5VDC	≥82% ≥82% ≥82% ≥80%	≤0.5W	10A	50°C/85°C	CE/ CB/ RCM/ ENEC

Ac Input Voltage Range	100-240 VAC 50/60 Hz
Start-up Time	<0.5 s
Hold-up Time	1 s max
Withstand Voltage	Input-Output 3750 V/ 5 mA/ 1 min
Safety Standards	IEC/EN 61347-1, IEC/EN61347-2-13, EN 62384, GB19510.1, GB19510.14
EMC Standards	EN55015, EN61000-3-2, EN61000-3-3, EN61547, GB/T 17743



SH-6-\*\*\* LB-G



SH-12-\*\*\* LB-G

# Compact-High PF Series 6-12W Constant Current LED Driver



- Installation: Built-in
- Class I (MB-G), Isolated  
Class II (MB), Isolated
- Protection: SCP/ OLP/ OVP
- Warranty: 5 years
- Flicker free



SS-6-\*\*\* MB



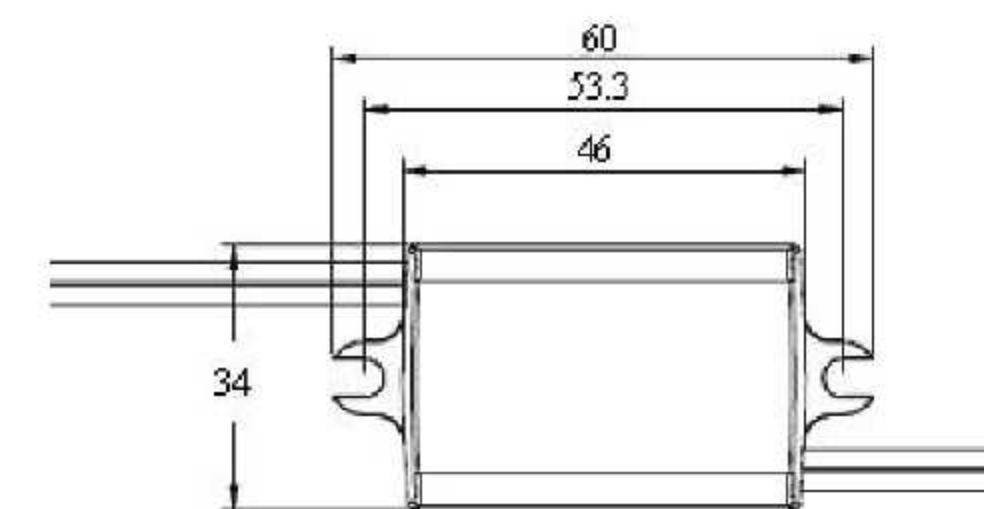
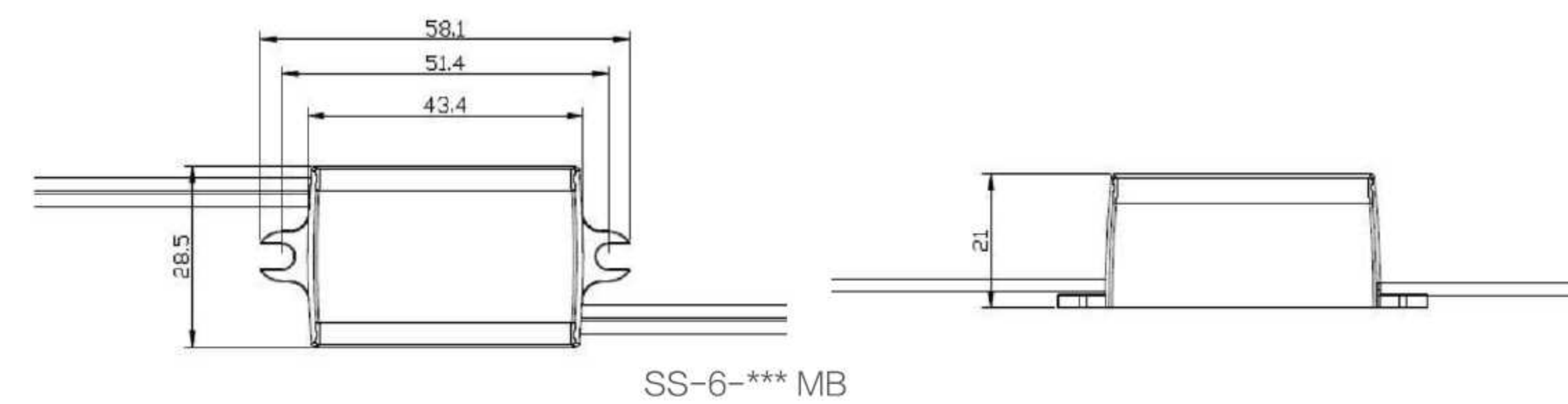
SS-9-\*\*\* MB-G  
SS-12-\*\*\* MB-G

Typical Applications:



Best Seller	Size (L*W*H)	Output	Typical Efficiency	No-load Power	Inrush Current	Ta, Tc	Certification
SS-6-300 MB SS-6-350 MB SS-6-700 MB	58.1*28.5*21	6W/ 300mA/ 10-20VDC 6W/ 350mA/ 8-20VDC 6W/ 700mA/ 2.8-9VDC	≥76%	≤0.5W	10A	50°C/85°C	CE/ CB/ RCM/ ENEC
SS-9-200 MB-G SS-9-350 MB-G SS-9-700 MB-G	60*34*23.5	9W/ 200mA/ 27-45VDC 9W/ 350mA/ 15-26VDC 9W/ 700mA/ 7-13VDC	≥81%	≤0.5W	15A	50°C/75°C	CE/ CB/ RCM/ ENEC
SS-12-300 MB-G SS-12-350 MB-G SS-12-500 MB-G SS-12-700 MB-G	60*34*23.5	12W/ 300mA/ 24-40VDC 12W/ 350mA/ 20-34.5VDC 12W/ 500mA/ 14-24VDC 12W/ 700mA/ 10-18VDC	≥81%	≤0.5W	20A	50°C/80°C	CE/ CB/ RCM/ ENEC

Ac Input Voltage Range	220-240 VAC 50/60 Hz
Start-up Time	<0.5 s
Hold-up Time	1 s max
Withstand Voltage	Input-Output 3750 V/ 5 mA/ 1 min
Safety Standards	IEC/EN 61347-1, IEC/EN61347-2-13, EN 62384, GB19510.1, GB19510.14
EMC Standards	EN55015, EN61000-3-2, EN61000-3-3, EN61547, GB/T 17743

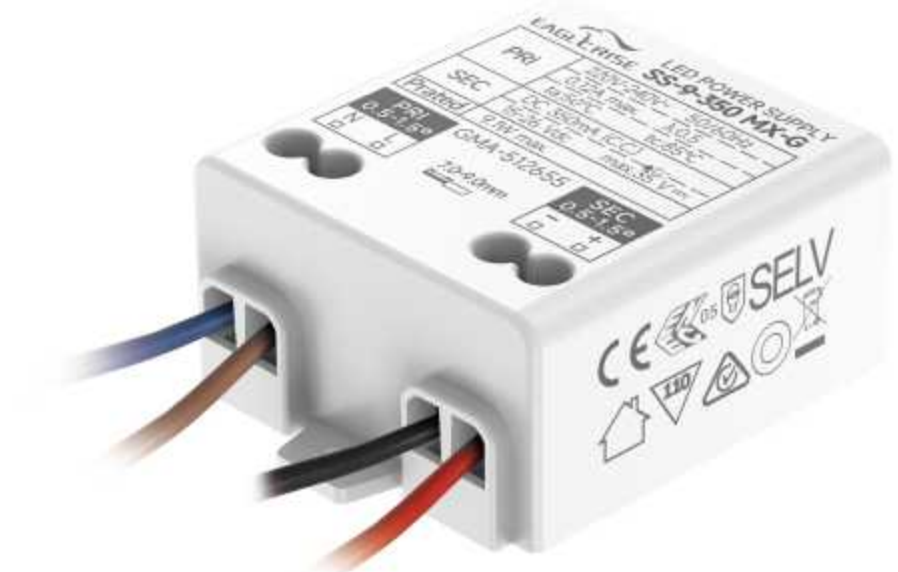


SS-9-\*\*\* MB-G  
SS-12-\*\*\* MB-G

# Compact-High PF Series 6-12W Constant Current LED Driver



- Installation: Built-in
- Class I (MX-G), Isolated
- Protection: SCP/ OLP/ OVP
- Warranty: 5 years
- Flicker free



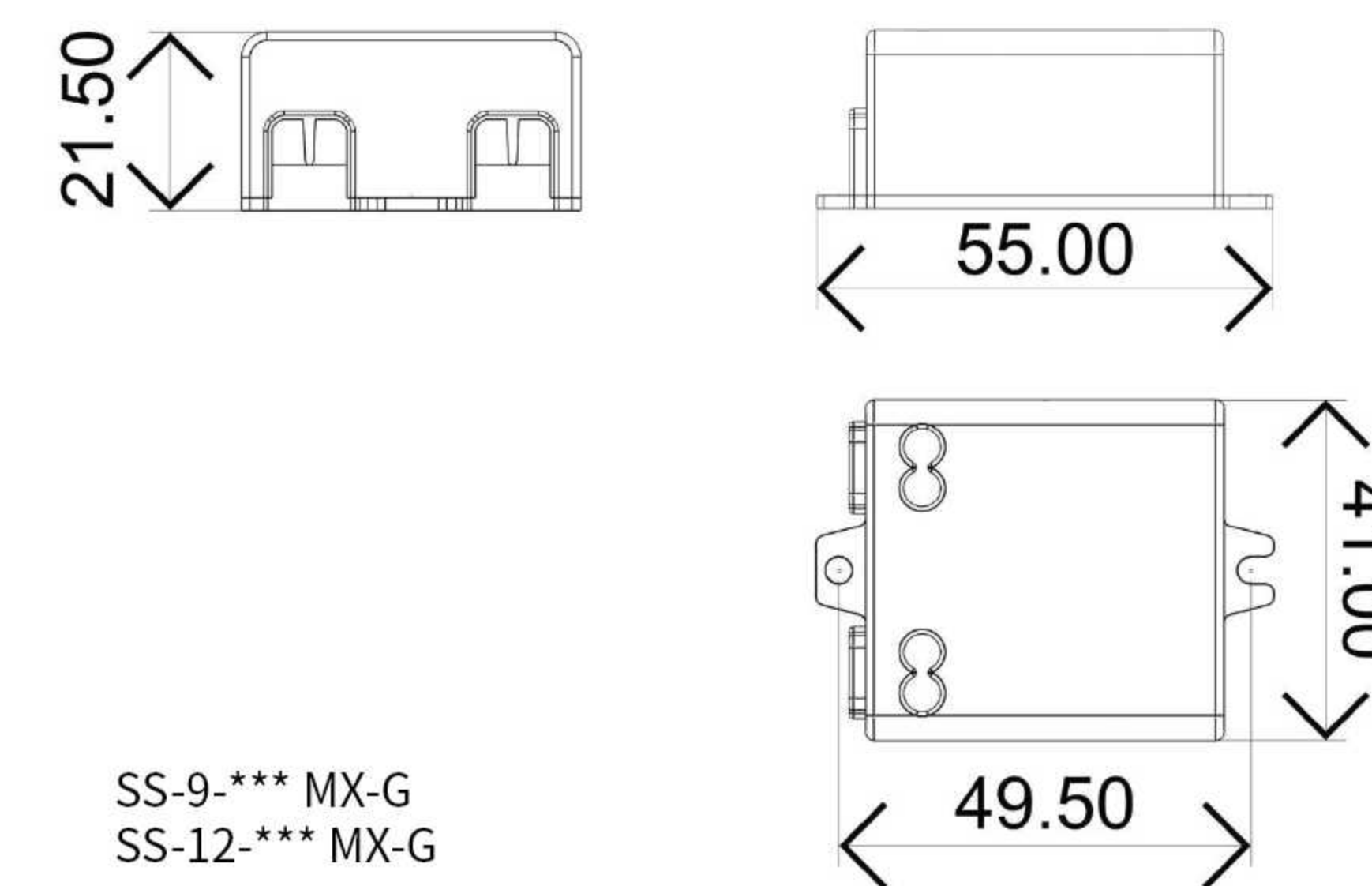
SS-9-\*\*\* MX-G  
SS-12-\*\*\* MX-G

Typical Applications:



Best Seller	Size (L*W*H)	Output	Typical Efficiency	No-load Power	Inrush Current	Ta, Tc	Certification
SS-9-200 MX-G SS-9-300 MX-G SS-9-350 MX-G SS-9-500 MX-G SS-9-700 MX-G	55*41*21.5	9W/ 200mA/ 27-45VDC 9W/ 300mA/ 18-30VDC 9W/ 350mA/ 15-26VDC 9W/ 500mA/ 8.5-18VDC 9W/ 700mA/ 7-13VDC	≥81%	≤0.5W	20A	50°C/85°C	CE
SS-12-300 MX-G SS-12-350 MX-G SS-12-500 MX-G SS-12-700 MX-G	55*41*21.5	12W/ 300mA/ 24-40VDC 12W/ 350mA/ 20-34.5VDC 12W/ 500mA/ 14-24VDC 12W/ 700mA/ 10-18VDC	≥80%	≤0.5W	20A	50°C/85°C	CE

Ac Input Voltage Range	220-240 VAC 50/60 Hz
Start-up Time	<0.5 s
Hold-up Time	1 s max
Withstand Voltage	Input-Output 3750 V/ 5 mA/ 1 min
Safety Standards	IEC/EN 61347-1, IEC/EN61347-2-13, EN 62384, GB19510.1, GB19510.14
EMC Standards	EN55015, EN61000-3-2, EN61000-3-3, EN61547, GB/T 17743



SS-9-\*\*\* MX-G  
SS-12-\*\*\* MX-G

# Compact-Low PF Series 3W Constant Current LED Driver



- Installation: Built-in
- Class II (SB), Isolated
- Protection: SCP/ OLP/ OVP
- Warranty: 5 years
- Flicker free



SH-3-\*\*\* IP65 SB

Typical Applications:

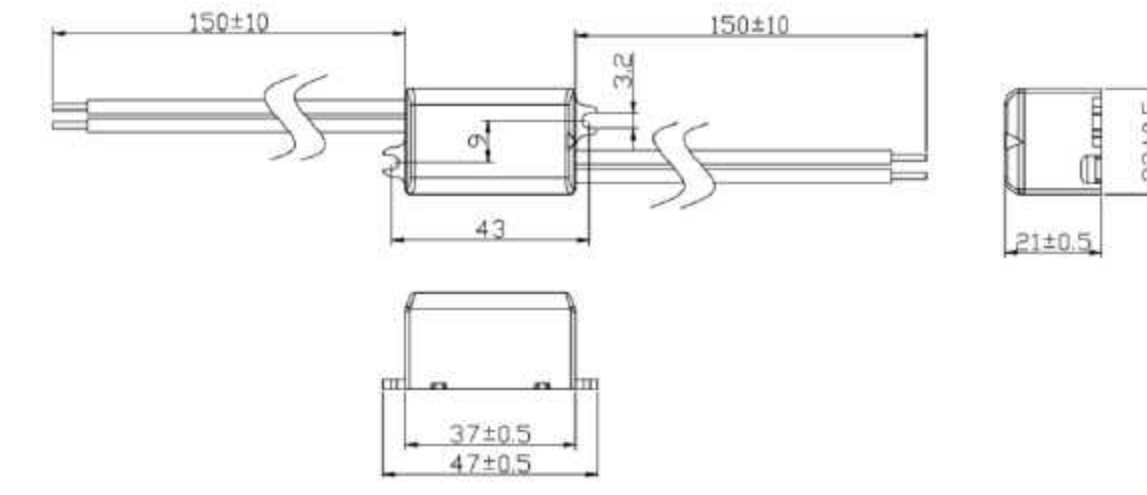


Best Seller	Size (L*W*H)	Output	Typical Efficiency	No-load Power	Inrush Current	Ta, Tc	Certification
-------------	--------------	--------	--------------------	---------------	----------------	--------	---------------

SH-3-300 IP65 SB	47*23*21	3W/ 300mA/ 2.5-12VDC	≥68%	≤0.5W	20A	50°C/75°C	CE/ CB/RCM/CCC/ ENEC
SH-3-350 IP65 SB		3W/ 350mA/ 2.5-10VDC					
SH-3-500 IP65 SB		3W/ 500mA/ 2.5-7VDC					
SH-3-700 IP65 SB		3W/ 700mA/ 2.5-4.5VDC					

• : Regular Stock

Ac Input Voltage Range	100-240 VAC 50/60 Hz
Start-up Time	<0.5 s
Hold-up Time	1 s max
Withstand Voltage	Input-Output 3750 V/ 5 mA/ 1 min
Safety Standards	IEC/EN 61347-1, IEC/EN61347-2-13, EN 62384, GB19510.1, GB19510.14
EMC Standards	EN55015, EN61000-3-2, EN61000-3-3, EN61547, GB/T 17743



SH-3-\*\*\* IP65 SB

# Compact-Low PF Series 3-6W Constant Current LED Driver

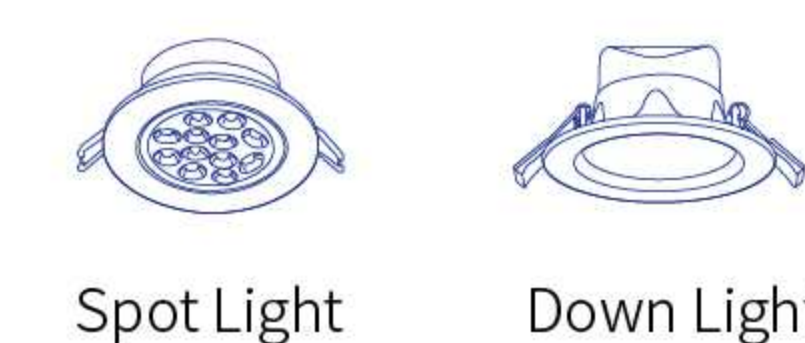


- Installation: Independent
- Class II, SELV
- Protection: SCP/ OLP/ OVP
- Warranty: 5 years
- IP20



LS-3-\*\*\* SIE  
LS-6-\*\*\* SIE

Typical Applications:

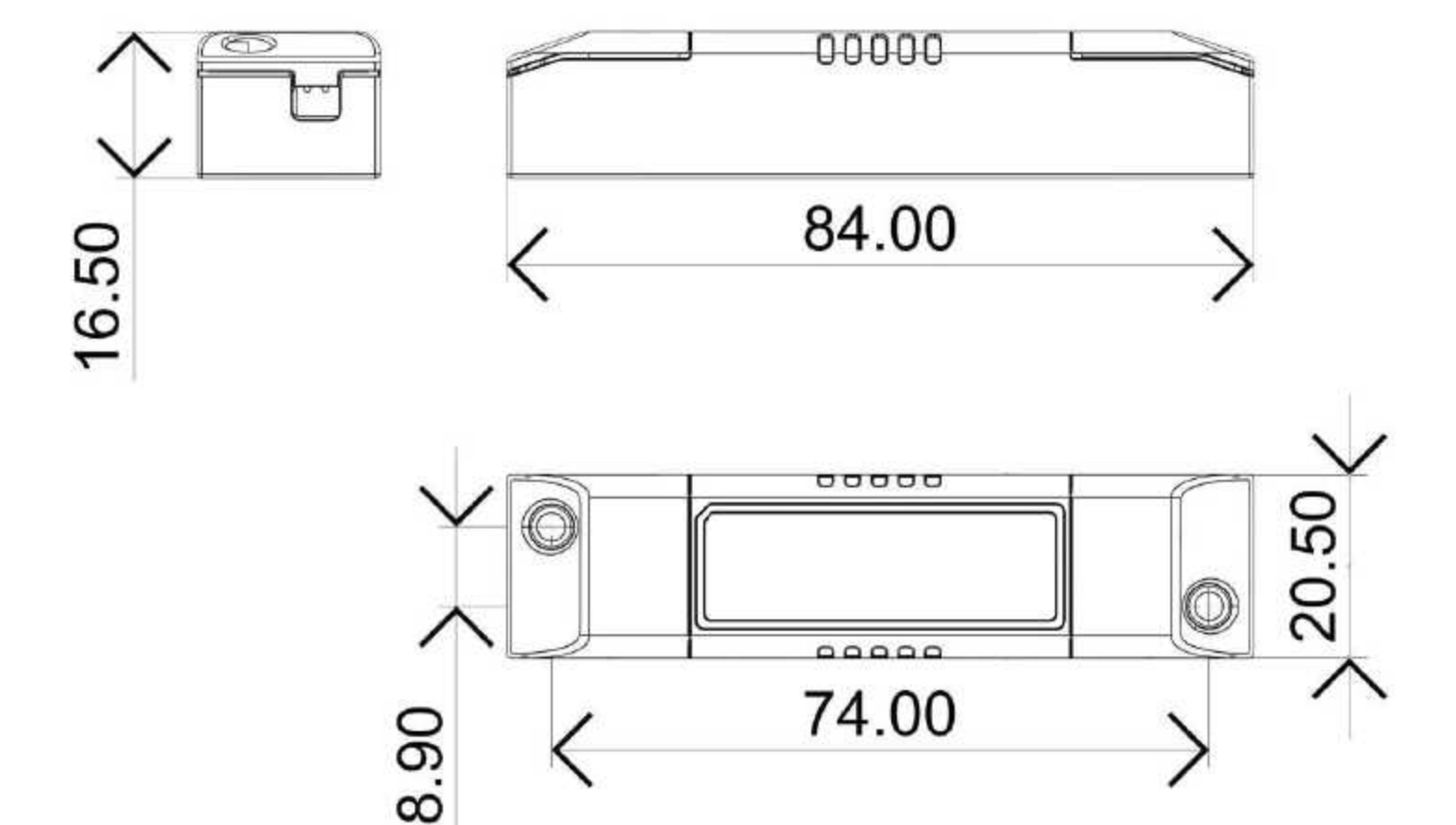


Best Seller	Size (L*W*H)	Output	Typical Efficiency	No-load Power	Ta, Tc	Certification
-------------	--------------	--------	--------------------	---------------	--------	---------------

LS-3-150 SIE	84*20.5*16.5	3W/ 150mA/ 5-12VDC	≥73%	≤0.5W	50°C/75°C	CE/ RCM/ CCC/ ENEC
LS-3-300 SIE		3W/ 300mA/ 5-12VDC	≥73%			
LS-3-350 SIE		3W/ 350mA/ 5-12VDC	≥71%			
LS-3-400 SIE		3W/ 400mA/ 2.5-4.5VDC	≥71%			
LS-3-500 SIE		3W/ 500mA/ 2.5-4.5VDC	≥71%			
LS-3-600 SIE		3W/ 600mA/ 2.5-4.5VDC	≥71%			

LS-6-120 SIE	84*20.5*16.5	6W/ 120mA/ 27-40VDC	≥76%	≤0.5W	50°C/80°C	CE/ RCM/ CCC/ ENEC
LS-6-150 SIE		6W/ 150mA/ 27-40VDC				
LS-6-180 SIE		6W/ 180mA/ 27-40VDC				
LS-6-200 SIE		6W/ 200mA/ 27-40VDC				
LS-6-220 SIE		6W/ 220mA/ 27-40VDC				
LS-6-300 SIE		6W/ 300mA/ 8-20VDC				
LS-6-350 SIE		6W/ 350mA/ 8-18VDC				
LS-6-500 SIE		6W/ 500mA/ 5-12VDC				
LS-6-550 SIE		6W/ 550mA/ 5-11VDC				
LS-6-700 SIE		6W/ 700mA/ 4-9VDC				

Ac Input Voltage Range	220-240 VAC 50/60 Hz
Start-up Time	<0.5 s
Hold-up Time	1 s max
Withstand Voltage	Input-Output 3750 V/ 5 mA/ 1 min
Safety Standards	IEC/EN 61347-1, IEC/EN61347-2-13, EN 62384, GB19510.1, GB19510.14
EMC Standards	EN55015, EN61000-3-2, EN61000-3-3, EN61547, GB/T 17743, GB17625.1



LS-3-\*\*\* SIE  
LS-6-\*\*\* SIE

# Compact-Low PF Series 8-21W Constant Current LED Driver



- Installation: Independent
- Class II , SELV
- Protection: SCP/ OLP/ OVP/ OTP
- Efficiency: 80%
- Warranty: 5 years
- IP20



LS-8-\*\*\* SI ECO

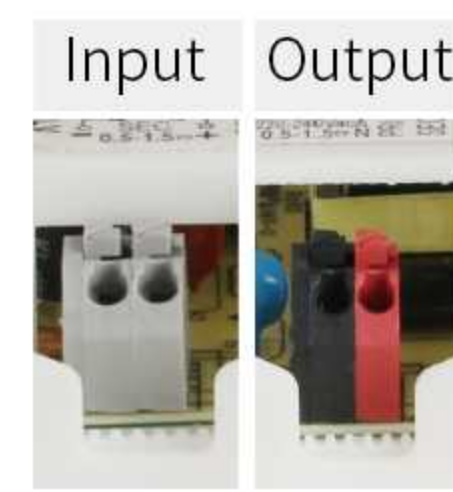


LS-12-\*\*\* SI ECO



LS-21-\*\*\* SI ECO

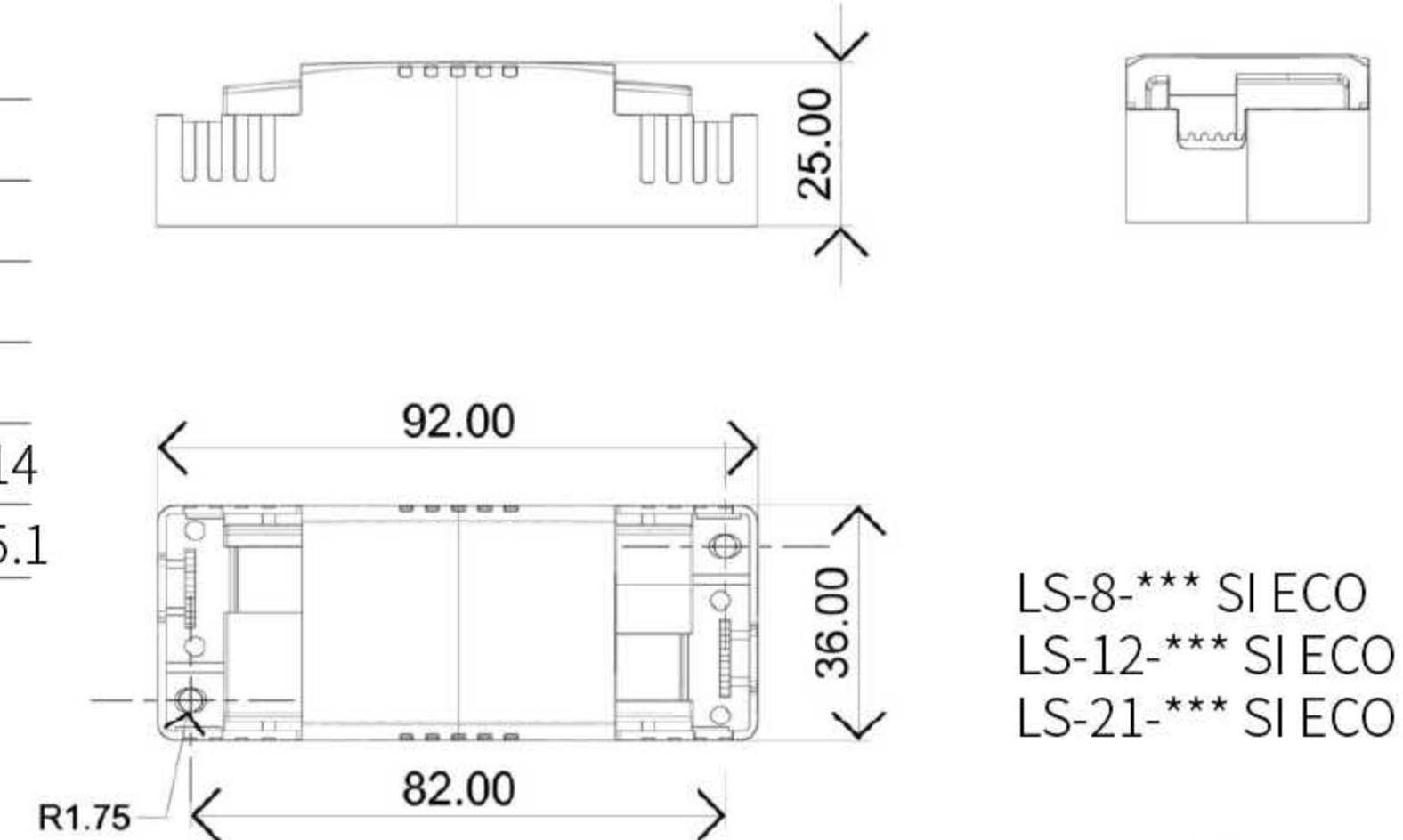
Typical Applications:



Best Seller	Size (L*W*H)	Output	Typical Efficiency	No-load Power	Ta, Tc	Certification
<ul style="list-style-type: none"> <li>LS-8-120 SI ECO</li> <li>LS-8-150 SI ECO</li> <li>LS-8-180 SI ECO</li> <li>LS-8-200 SI ECO</li> <li>LS-8-250 SI ECO</li> <li>LS-8-300 SI ECO</li> <li>LS-8-350 SI ECO</li> </ul>	92*36*25	8W/ 120mA/ 30-42VDC 8W/ 150mA/ 30-42VDC 8W/ 180mA/ 30-42VDC 8W/ 200mA/ 30-42VDC 8W/ 250mA/ 30-42VDC 8W/ 300mA/ 15-24VDC 8W/ 350mA/ 15-24VDC	≥80%	≤0.5W	45°C/75°C	CE/ CB/ RCM/ CCC/ ENEC
<ul style="list-style-type: none"> <li>LS-12-250 SI ECO</li> <li>LS-12-300 SI ECO</li> <li>LS-12-350 SI ECO</li> <li>LS-12-500 SI ECO</li> <li>LS-12-600 SI ECO</li> </ul>	92*36*25	12W/ 250mA/ 30-42VDC 12W/ 300mA/ 30-42VDC 12W/ 350mA/ 27-40VDC 12W/ 500mA/ 14-26VDC 12W/ 600mA/ 11-20VDC	≥83%	≤0.5W	45°C/75°C	CE/ CB/ RCM/ CCC/ ENEC
<ul style="list-style-type: none"> <li>LS-21-350 SI ECO</li> <li>LS-21-400 SI ECO</li> <li>LS-21-500 SI ECO</li> </ul>	92*36*25	21W/ 350mA/ 27-42VDC 21W/ 400mA/ 27-42VDC 21W/ 500mA/ 27-42VDC	≥85%	≤0.5W	45°C/80°C	CE/ CB/ RCM/ CCC/ ENEC

• : Regular Stock

Ac Input Voltage Range	220-240 VAC 50/60 Hz
Start-up Time	<0.5 s
Hold-up Time	1 s max
Withstand Voltage	Input-Output 3750 V/ 5 mA/ 1 min
Safety Standards	IEC/EN 61347-1, IEC/EN61347-2-13, EN 62384, GB19510.1, GB19510.14
EMC Standards	EN55015, EN61000-3-2, EN61000-3-3, EN61547, GB/T 17743, GB17625.1



# Compact-High PF Series 8-32W Constant Current LED Driver



- Installation: Built-in
- Class II , Isolated
- Protection: SCP/ OLP/ OVP
- Warranty: 5 years
- Flicker free

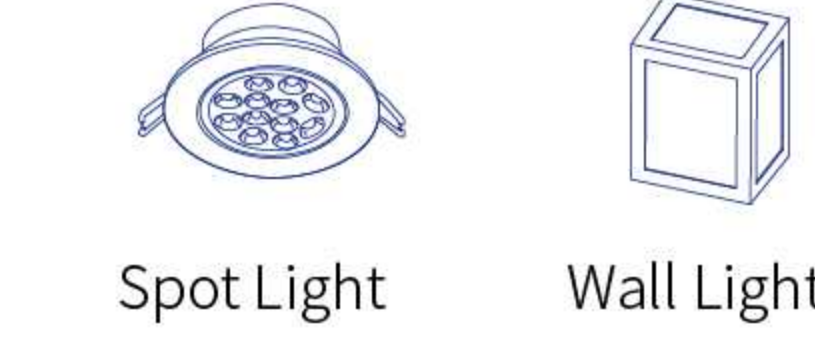


CS-8-\*\*\* MB  
CS-12-\*\*\* MB



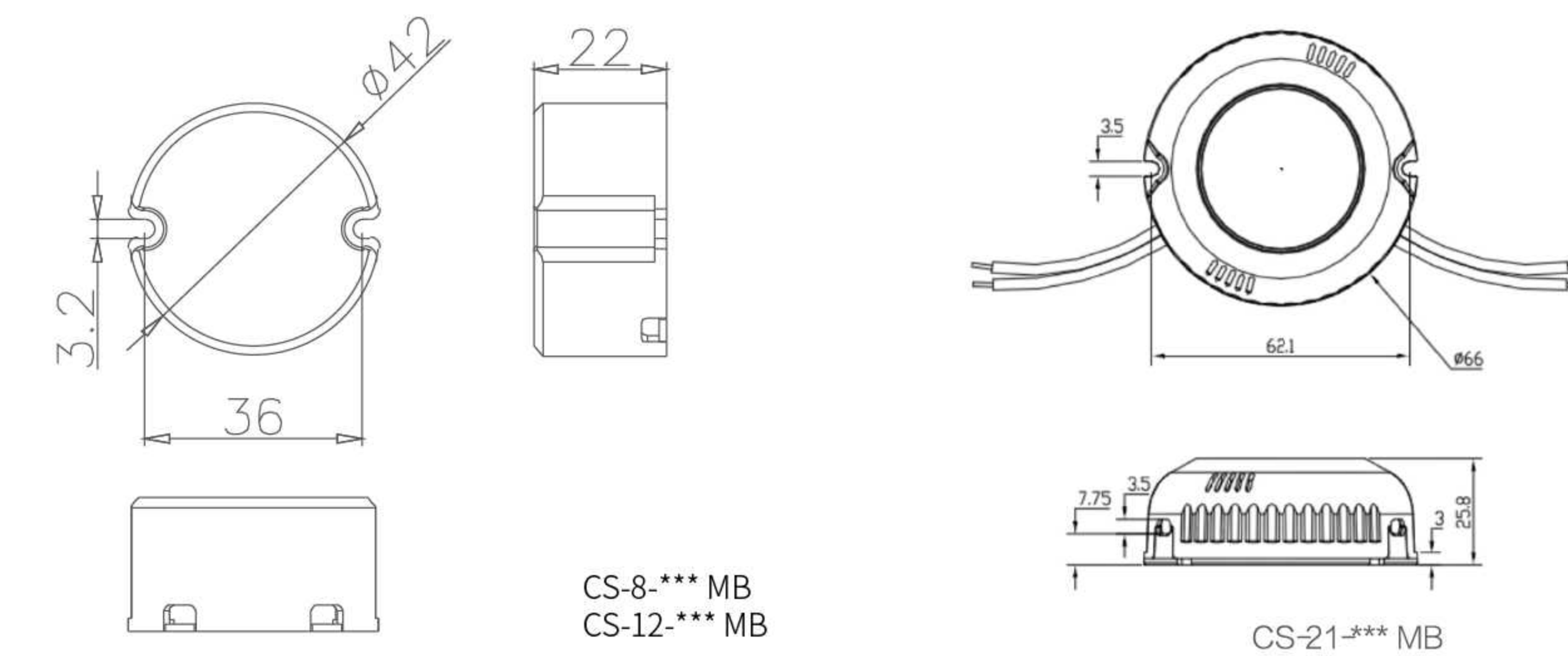
CS-21-\*\*\* MB

Typical Applications:



Best Seller	Size (L*W*H)	Output	THD	Typical Efficiency	No-load Power	Inrush Current	Ta, Tc	Certification
<ul style="list-style-type: none"> <li>CS-8-150 MB</li> <li>CS-8-200 MB</li> </ul>	φ42*22	8W/ 150mA/ 24-42VDC 8W/ 200mA/ 24-42VDC	<10%	≥81%	≤0.5W	10A	60°C/90°C	CE/ CB/ CCC/ RCM/ ENEC
<ul style="list-style-type: none"> <li>CS-12-250 MB</li> <li>CS-12-300 MB</li> <li>CS-12-350 MB</li> </ul>	φ66*25.8	12W/ 250mA/ 27-48VDC 12W/ 300mA/ 24-42VDC 12W/ 350mA/ 22-40VDC	<10%	≥83%	≤0.5W	20A	60°C/90°C	CE/ CB/ CCC/ RCM/ ENEC
<ul style="list-style-type: none"> <li>CS-21-500 MB</li> <li>CS-21-700 MB</li> </ul>	φ66*25.8	21W/ 500mA/ 24-42VDC 21W/ 700mA/ 18-30VDC	<10%	≥85%	≤0.5W	15A	50°C/80°C	CE/ CB/RCM/ ENEC

Ac Input Voltage Range	220-240 VAC 50/60 Hz
Start-up Time	<0.5 s
Hold-up Time	1 s max
Withstand Voltage	Input-Output 3750 V/ 5 mA/ 1 min
Safety Standards	IEC/EN 61347-1, IEC/EN61347-2-13, EN 62384, GB19510.1, GB19510.14
EMC Standards	EN55015, EN61000-3-2, EN61000-3-3, EN61547, GB/T 17743





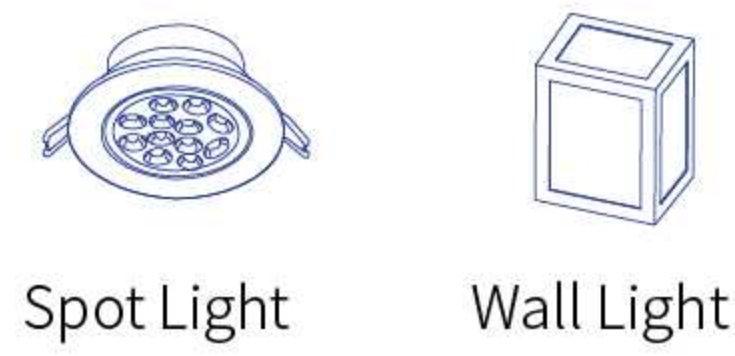
# Compact-High PF Series 8-32W Constant Current LED Driver



- Installation: Built-in
- Class II , Isolated
- Protection: SCP/ OLP/ OVP
- Warranty: 5 years
- Flicker free

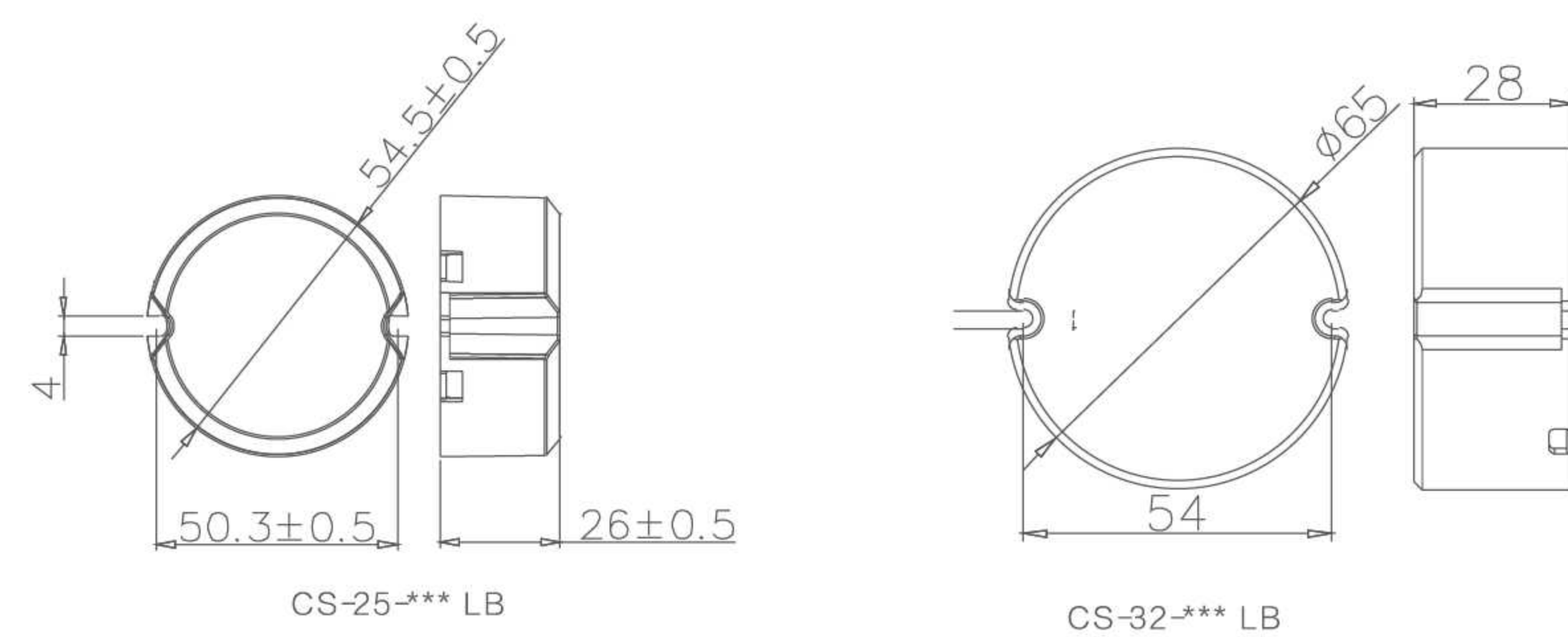


Typical Applications:



Best Seller	Size (L*W*H)	Output	THD	Typical Efficiency	No-load Power	Inrush Current	Ta, Tc	Certification
CS-21-500 MB CS-21-700 MB	φ66*25.8	21W/ 500mA/ 24-42VDC 21W/ 700mA/ 18-30VDC	<10%	≥85%	≤0.5W	15A	50°C/80°C	CE/ CB/RCM/ ENEC
CS-25-500 LB CS-25-600 LB	φ55*26	25W/ 500mA/ 28-43VDC 25W/ 600mA/ 28-42VDC	<10%	≥86%	≤0.5W	25A	60°C/90°C	CE/ CB/ CCC/ RCM/ ENEC
CS-32-700 LB CS-32-800 LB	φ65*28	32W/ 700mA/ 28-42VDC 32W/ 800mA/ 28-40VDC	<10%	≥86%	≤0.5W	20A	60°C/90°C	CE/ CB/ CCC/ RCM/ ENEC

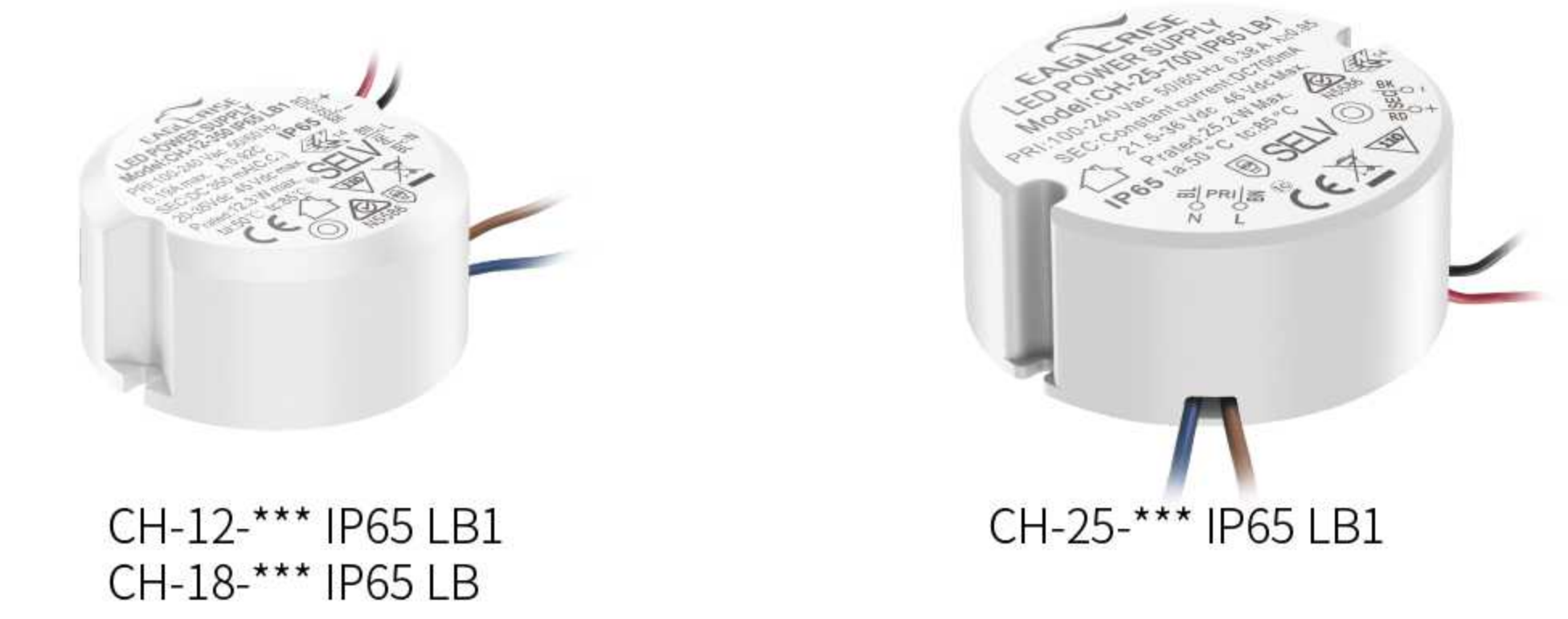
Ac Input Voltage Range	220-240 VAC 50/60 Hz
Start-up Time	<0.5 s
Hold-up Time	1 s max
Withstand Voltage	Input-Output 3750 V/ 5 mA/ 1 min
Safety Standards	IEC/EN 61347-1, IEC/EN61347-2-13, EN 62384, GB19510.1, GB19510.14
EMC Standards	EN55015, EN61000-3-2, EN61000-3-3, EN61547, GB/T 17743



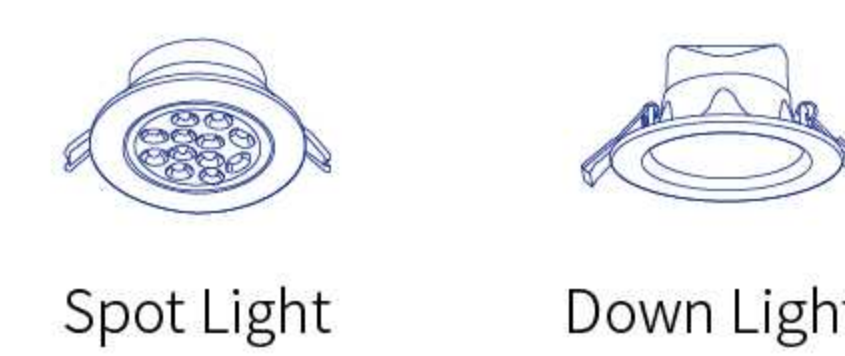
# Compact-High PF Series 12-25W Constant Current LED Driver



- Installation: Built-in
- Class II , Isolated
- Protection: SCP/ OLP/ OVP
- Warranty: 5 years
- Flicker free
- IP65

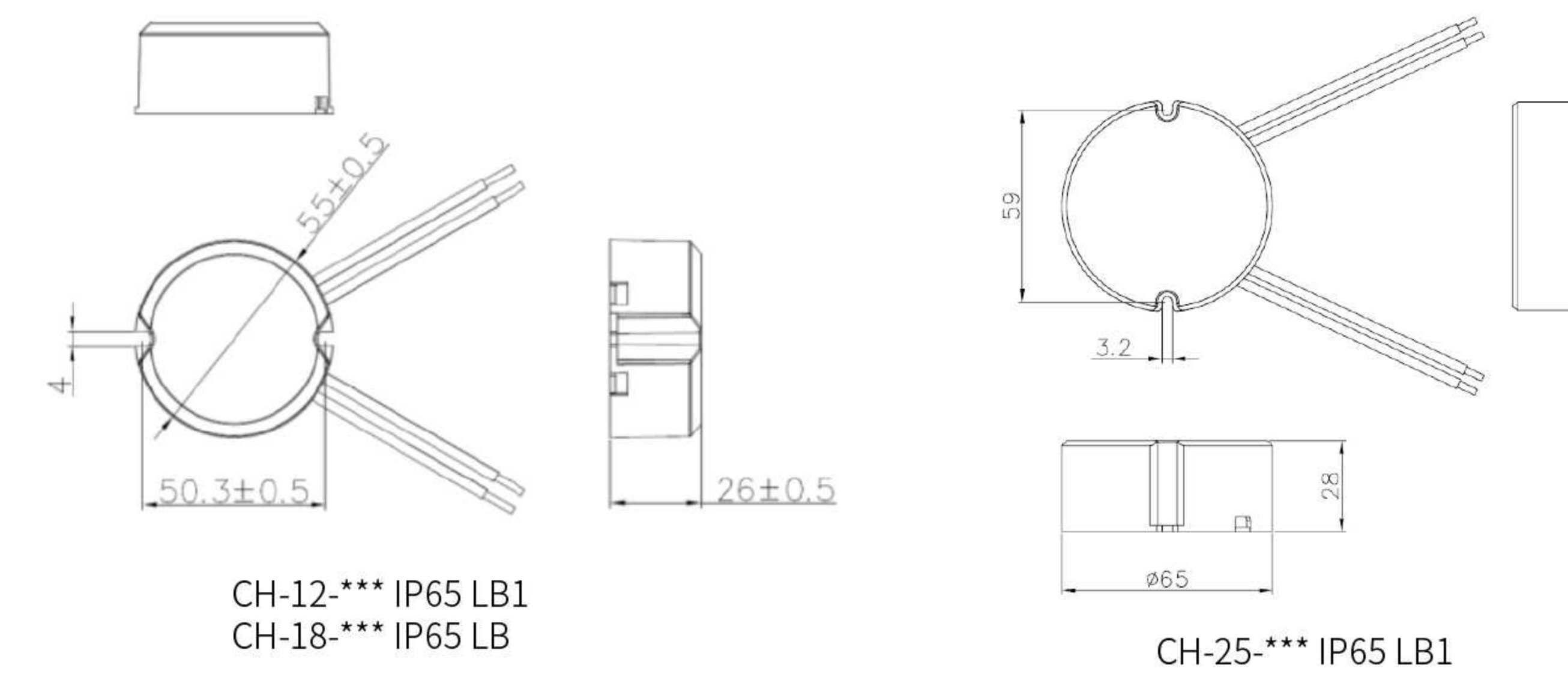


Typical Applications:



Best Seller	Size (L*W*H)	Output	THD	Typical Efficiency	No-load Power	Inrush Current	Ta, Tc	Certification
CH-12-300 IP65 LB1 CH-12-350 IP65 LB1 CH-12-500 IP65 LB1 CH-12-700 IP65 LB1	φ55*26	12W/ 300mA/ 24-40VDC 12W/ 350mA/ 20-35VDC 12W/ 500mA/ 14-24VDC 12W/ 700mA/ 10.5-17.5VDC	<10%	≥81%	≤0.5W	30A	50°C/85°C	CE/ CB/ RCM/ CCC/ ENEC
CH-18-300 IP65 LB CH-18-350 IP65 LB CH-18-450 IP65 LB CH-18-700 IP65 LB	φ55*26	18W/ 300mA/ 36-60VDC 18W/ 350mA/ 31-52VDC 18W/ 500mA/ 24-40VDC 18W/ 700mA/ 15.5-26VDC	<10%	≥86%	≤0.5W	30A	50°C/80°C	CE/ CB/ RCM/ ENEC
CH-25-350 IP65 LB1 CH-25-600 IP65 LB1 CH-25-700 IP65 LB1	φ65*28	25W/ 350mA/ 43-72VDC 25W/ 600mA/ 25-42VDC 25W/ 700mA/ 21.5-36VDC	<12%	≥86%	≤0.5W	20A	50°C/85°C	CE/ CB/ RCM/ ENEC

Ac Input Voltage Range	100-240 VAC 50/60 Hz
Start-up Time	<0.5 s
Hold-up Time	1 s max
Withstand Voltage	Input-Output 3750 V/ 5 mA/ 1 min
Safety Standards	IEC/EN 61347-1, IEC/EN61347-2-13, EN 62384, GB19510.1, GB19510.14
EMC Standards	EN55015, EN61000-3-2, EN61000-3-3, EN61547, GB/T 17743, GB17625.1



# Compact-Low PF Series 8-16W Constant Current LED Driver

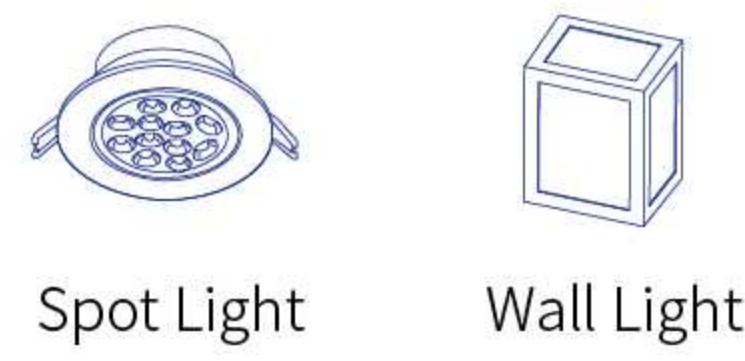


- Installation: Built-in
- Class II , Isolated
- Protection: SCP/ OLP/ OVP
- Warranty: 5 years
- Flicker free



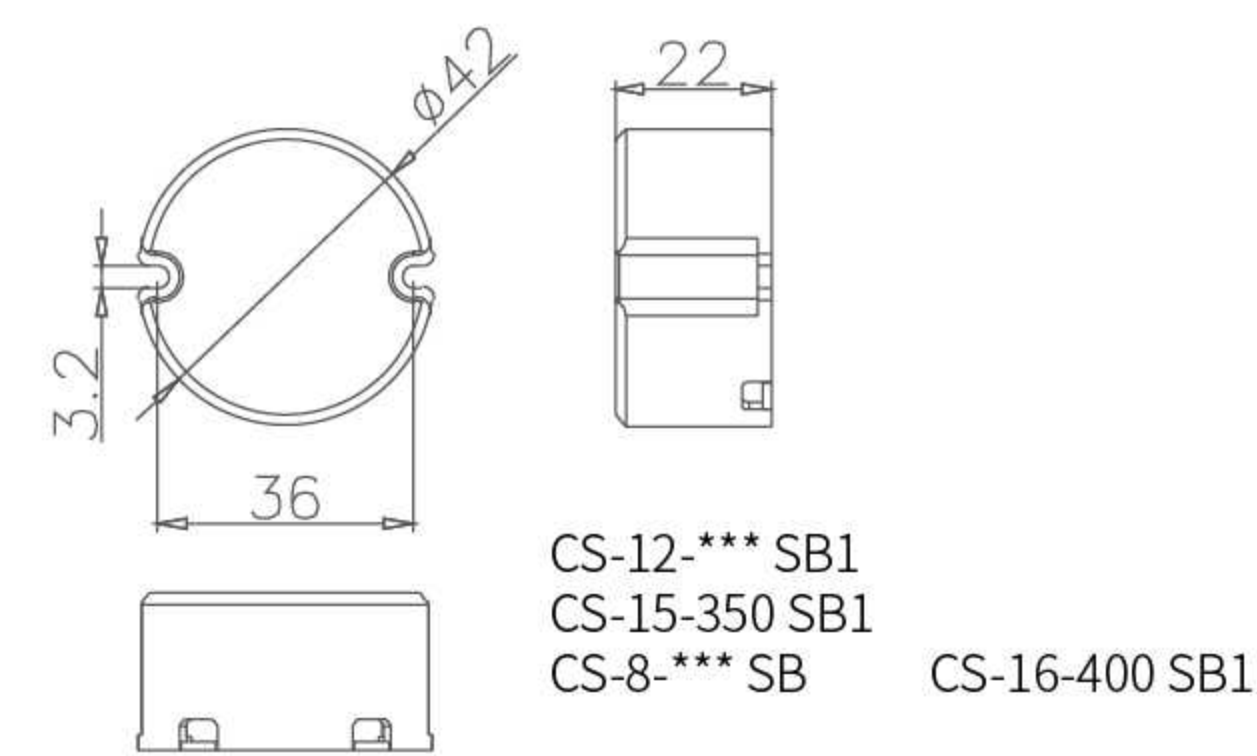
CS-8-\*\*\* SB  
CS-12-\*\*\* SB1  
CS-15-350 SB1  
CS-16-400 SB1

Typical Applications:



Best Seller	Size (L*W*H)	Output	THD	Typical Efficiency	No-load Power	Inrush Current	Ta, Tc	Certification
CS-8-120 SB CS-8-150 SB CS-8-180 SB CS-8-200 SB	φ42*22	8W/ 120mA/ 28-42VDC 8W/ 150mA/ 28-42VDC 8W/ 180mA/ 28-42VDC 8W/ 200mA/ 28-42VDC	<10%	≥83%	≤0.5W	30A	60°C/85°C	CE/ CB/ RCM/ CCC/ ENEC
CS-12-250 SB1 CS-12-300 SB1	φ42*22	12W/ 250mA/ 28-42VDC 12W/ 300mA/ 28-42VDC	<10%	≥83%	≤0.5W	30A	60°C/85°C	CE/ CB/RCM/ CCC/ ENEC
CS-15-350 SB	φ42*22	15W/ 350mA/ 28-42VDC	<10%	≥83%	≤0.5W	30A	60°C/85°C	CE/ CB/RCM/ CCC/ ENEC
CS-16-400 SB	φ42*22	16W/ 400mA/ 28-40VDC	<10%	≥84%	≤0.5W	30A	60°C/85°C	CE/ CB/RCM/ CCC/ ENEC

Ac Input Voltage Range	220-240 VAC 50/60 Hz
Start-up Time	<0.5 s
Hold-up Time	1 s max
Withstand Voltage	Input-Output 3750 V/ 5 mA/ 1 min
Safety Standards	IEC/EN 61347-1, IEC/EN61347-2-13, EN 62384, GB19510.1, GB19510.14
EMC Standards	EN55015, EN61000-3-2, EN61000-3-3, EN61547, GB/T 17743



# LED DRIVER General - Constant Current - Mini

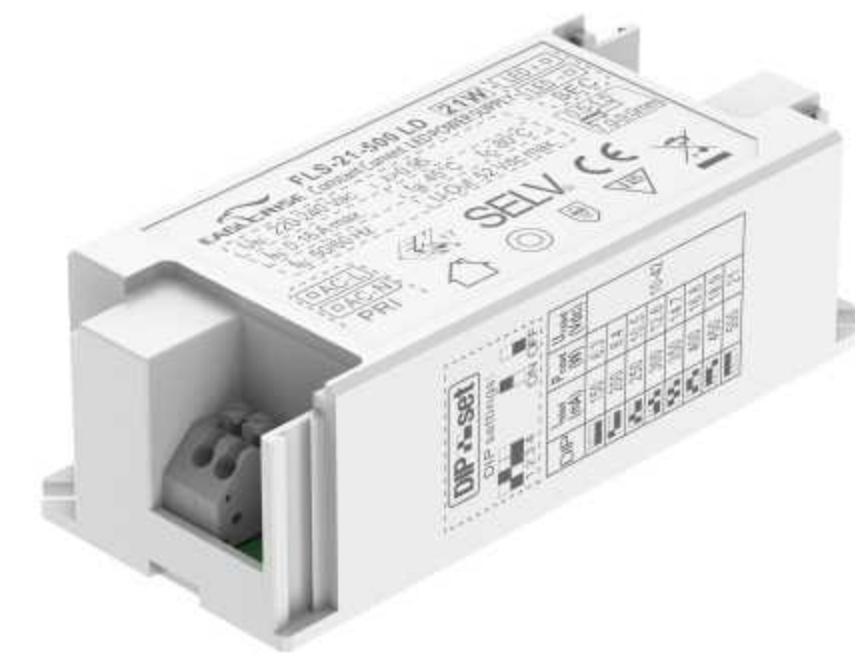


# Mini-Dip Switch Series 42W Constant Current LED Driver



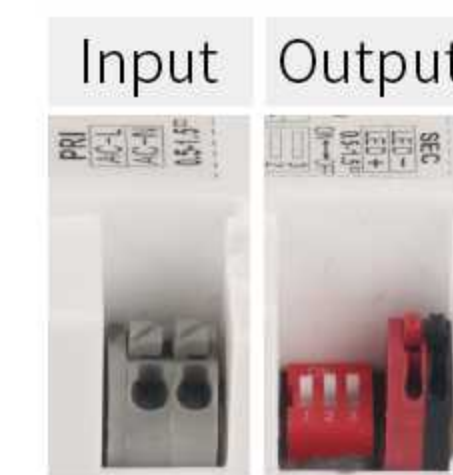
**CB CE SELV**

- Installation: Built-in or Independent with the flexible side caps
- Class II, Isolated
- Protection: SCP/ OLP/ OVP/ OTP
- Adjustable Output Current with Dip-switch
- Warranty: 5 years
- Flicker free
- Accessory: Flexible side caps, need to order separately (Page 75)



FLS-42-1050 LD ADV  
FLS-42-1050 LD PRO

Typical Applications:



Best Seller	Size (L*W*H)	Output	THD	Typical Efficiency	No-load Power	Ta, Tc	Certification
FLS-42-1050 LD ADV	97*43*30	42W/ 350-500mA/ 9-52VDC	<10%	88%	≤0.5W	45°C/80°C	CE/ ENEC/ EL/ RCM/ CB/ CCC
FLS-42-1050 LD PRO	98*43*22	42W/ 150-1050mA/ 2.5-42VDC	<10%	87%	≤0.5W	45°C/80°C	CE/ ENEC/ EL/ RCM/ CB/ CCC

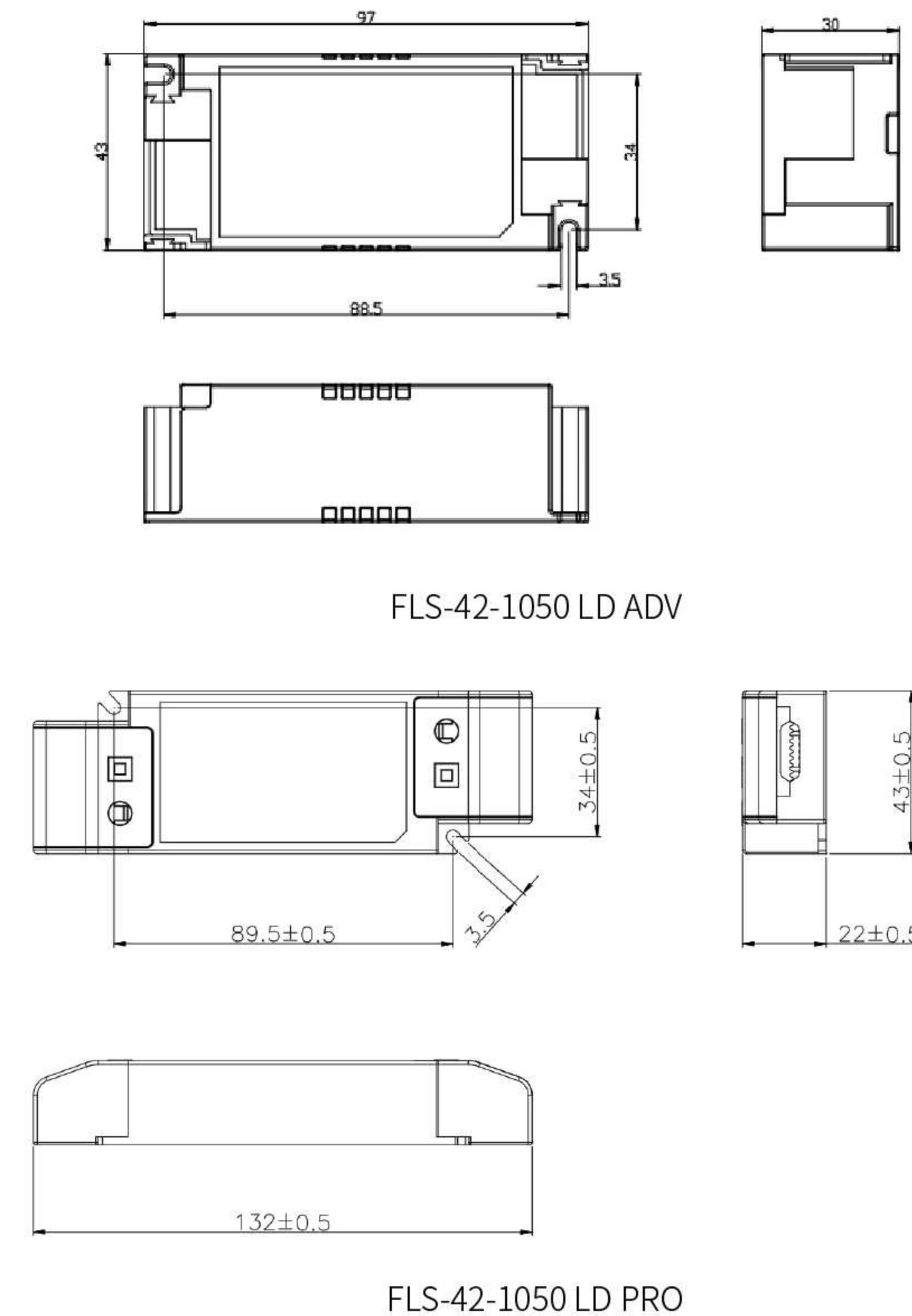
Ac Input Voltage Range	220-240 VAC 50/60 Hz
Start-up Time	<0.5 s
Hold-up Time	1 s max
Withstand Voltage	Input-Output 3750 V/ 5 mA/ 1 min
Safety Standards	IEC/EN 61347-1, IEC/EN61347-2-13, EN 62384
EMC Standards	EN55015, EN61000-3-2, EN61000-3-3, EN61547

FLS-42-1050 LD ADV

Vo	Po	Io	1	2	3	4
9-52 VDC	15.6 W	300 mA	/	/	/	/
9-52 VDC	18.2 W	350 mA	ON	/	/	/
9-52 VDC	20.8 W	400 mA	/	ON	/	/
9-52 VDC	23.4 W	450 mA	ON	ON	/	/
9-52 VDC	26 W	500 mA	/	/	ON	/
9-52 VDC	28.6 W	550 mA	ON	/	ON	/
9-52 VDC	31.2 W	600 mA	/	ON	ON	/
9-52 VDC	33.8 W	650 mA	ON	ON	ON	/
9-52 VDC	36.4 W	700 mA	/	/	/	ON
9-52 VDC	39 W	750 mA	ON	/	/	ON
9-52 VDC	41.6 W	800 mA	/	ON	/	ON
9-42 VDC	35.7 W	850 mA	ON	ON	/	ON
9-42 VDC	37.8 W	900 mA	/	/	ON	ON
9-42 VDC	39.9 W	950 mA	ON	/	ON	ON
9-42 VDC	42 W	1000 mA	/	ON	ON	ON
9-40 VDC	42 W	1050 mA	ON	ON	ON	ON

FLS-42-1050 LD PRO

Vo	Po	Io	1	2	3	4
2.5-42 VDC	6.3 W	150 mA	/	/	/	/
2.5-42 VDC	8.4 W	200 mA	ON	/	/	/
2.5-42 VDC	10.5 W	250 mA	/	ON	/	/
2.5-42 VDC	12.6 W	300 mA	ON	ON	/	/
2.5-42 VDC	14.7 W	350 mA	/	/	ON	/
2.5-42 VDC	20.8 W	400 mA	ON	/	ON	/
2.5-42 VDC	21 W	500 mA	/	ON	ON	/
2.5-42 VDC	25.2 W	600 mA	ON	ON	ON	/
2.5-42 VDC	29.4 W	700 mA	/	/	/	ON
2.5-42 VDC	31.5 W	750 mA	ON	/	/	ON
2.5-42 VDC	33.6 W	800 mA	/	ON	/	ON
2.5-42 VDC	35.7 W	850 mA	ON	ON	/	ON
2.5-42 VDC	37.8 W	900 mA	/	/	ON	ON
2.5-42 VDC	39.9 W	950 mA	ON	/	ON	ON
2.5-42 VDC	42 W	1000 mA	/	ON	ON	ON
2.5-40 VDC	42 W	1050 mA	ON	ON	ON	ON



Factory Default

# Mini-Dip Switch Series 60W Constant Current LED Driver



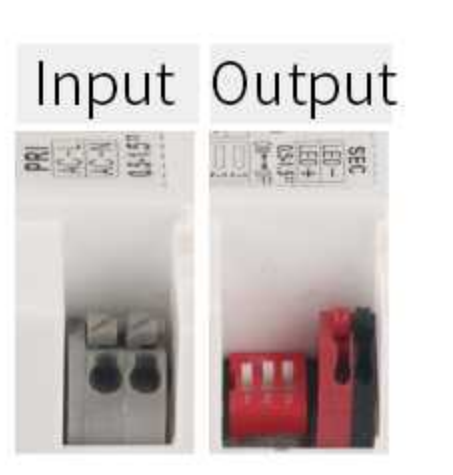
**CB CE SELV**

- Installation: Built-in or Independent with the flexible side caps
- Class II, Isolated
- Protection: SCP/ OLP/ OVP/ OTP
- Adjustable Output Current with Dip-switch
- Warranty: 5 years
- Flicker free
- Accessory: Flexible side caps, need to order separately (Page 75)



FSS-60-1700 LD

Typical Applications:



Best Seller	Size (L*W*H)	Output	THD	Typical Efficiency	No-load Power	Inrush Current	Ta, Tc	Certification
FSS-60-1700 LD	110*74*30	60W/ 1050-1700mA/ 17-44VDC	<10%	≥88%	≤0.5W	30A	50°C/85°C	CE/ ENEC/ EL/ RCM/ CB

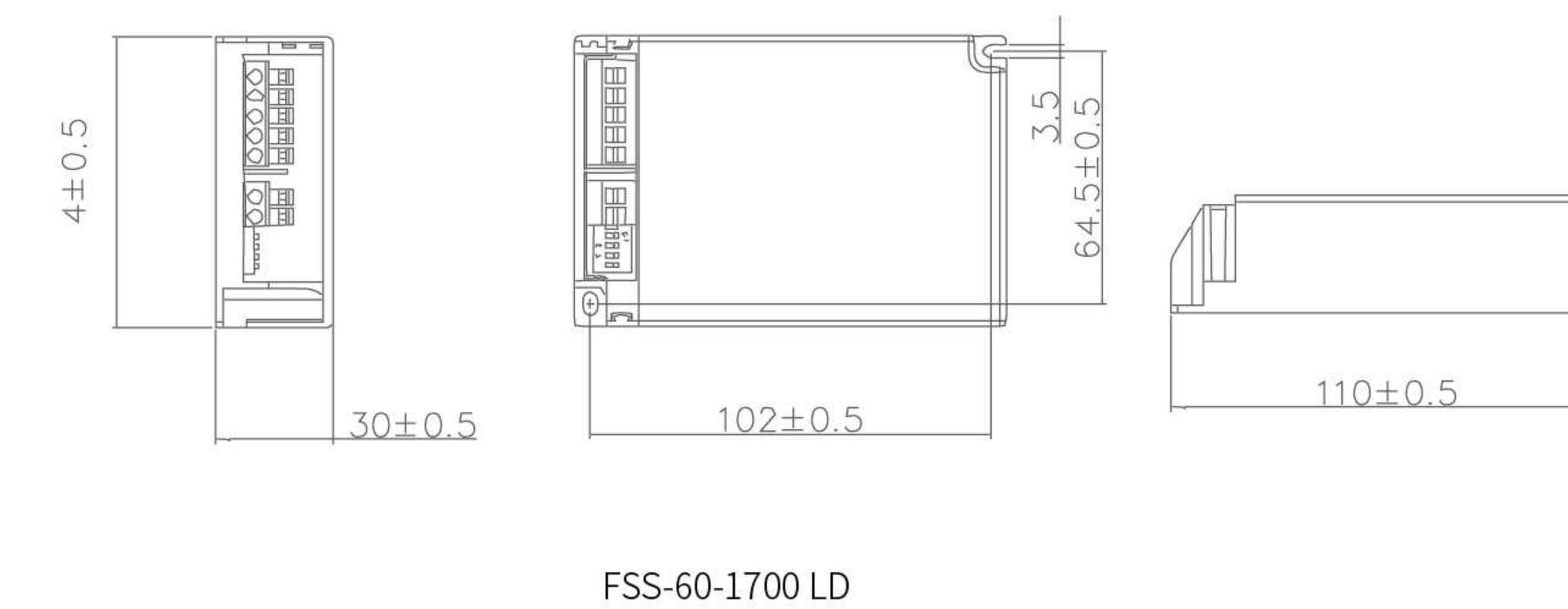
• : Regular Stock

Ac Input Voltage Range	220-240 VAC 50/60 Hz
Start-up Time	<0.5 s
Hold-up Time	1 s max
Withstand Voltage	Input-Output 3750 V/ 5 mA/ 1 min
Safety Standards	IEC/EN 61347-1, IEC/EN61347-2-13, EN 62384
EMC Standards	EN55015, EN61000-3-2, EN61000-3-3, EN61547

FSS-60-1700 LD

Vo	Po	Io	1	2	3	4
22-44 VDC	46.2 W	1050 mA	/	/	/	/
22-44 VDC	52.8 W	1200 mA	ON	/	/	/
22-43 VDC	60.2 W	1400 mA	ON	ON	/	/
20-40 VDC	60 W	1500 mA	ON	ON	ON	/
19-38 VDC	60.8 W	1600 mA	ON	ON	/	ON
17-35 VDC	59.5 W	1700 mA	ON	ON	ON	ON

Factory Default





# LED DRIVER

## General - Constant Current - Track

### Track Series 21-42W Constant Current LED Driver



- Track adapter with integrated driver
- Class II, Isolated
- Protection: SCP/ OLP/ OVP/ OTP
- Adjustable Output Current with Dip-switch
- Warranty: 5 years
- Flicker free
- Available color: Black, White, Grey
- Accessory: Nipples, need to order separately (Page 75)



FDS-21-500 LD1-3 Wires  
FDS-32-800 LD-3 Wires  
FDS-42-1050 LD-3 Wires

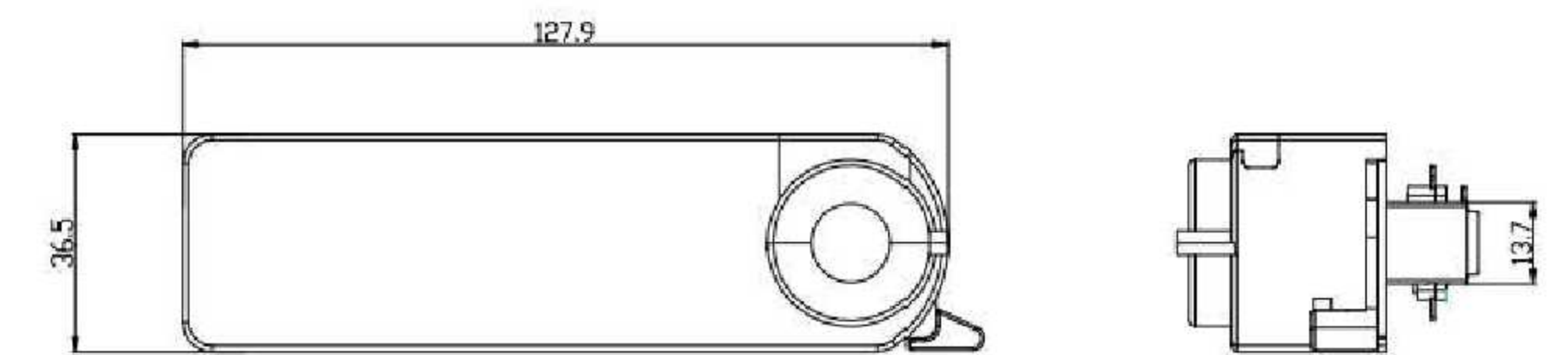
Typical Applications:



Track Spot Light

Best Seller	Size (L*W*H)	Output	THD	Typical Efficiency	No-load Power	Inrush Current	Ta, Tc	Certification
FDS-21-500 LD1-3 Wires	128*36.5*26	21W/ 350-500mA/ 28-40VDC	<10%	≥85%	≤0.5W	30A	45°C/75°C	CQC
FDS-32-800 LD-3 Wires	128*36.5*26	32W/ 500-800mA/ 28-40VDC	<20%	≥88%	≤0.5W	30A	35°C/75°C	CQC
FDS-42-1050 LD-3 Wires	128*36.5*26	42W/ 900-1050mA/ 28-40VDC	<15%	≥88%	≤0.5W	30A	35°C/80°C	CQC

Ac Input Voltage Range	220-240 VAC 50/60 Hz
Start-up Time	<0.5 s
Hold-up Time	1 s max
Withstand Voltage	Input-Output 3750 V/ 5 mA/ 1 min
Safety Standards	IEC/EN 61347-1, IEC/EN61347-2-13, EN 62384
EMC Standards	EN55015, EN61000-3-2, EN61000-3-3, EN61547



FDS-21-500 LD1-3 Wires					FDS-32-800 LD-3 Wires					FDS-42-1050 LD-3 Wires				
Vo	Po	Io	1	2	Vo	Po	Io	1	2	Vo	Po	Io	1	2
28-40 VDC	14 W	350 mA	/	/	28-40 VDC	20 W	500 mA	/	/	28-40 VDC	36 W	900 mA	/	/
28-40 VDC	16 W	400 mA	ON	/	28-40 VDC	24 W	600 mA	ON	/	28-40 VDC	38 W	950 mA	ON	/
28-40 VDC	18 W	450 mA	/	ON	28-40 VDC	28 W	700 mA	/	ON	28-40 VDC	40 W	1000 mA	/	ON
28-40 VDC	20 W	500 mA	ON	ON	28-40 VDC	32 W	800 mA	ON	ON	28-40 VDC	42 W	1050 mA	ON	ON



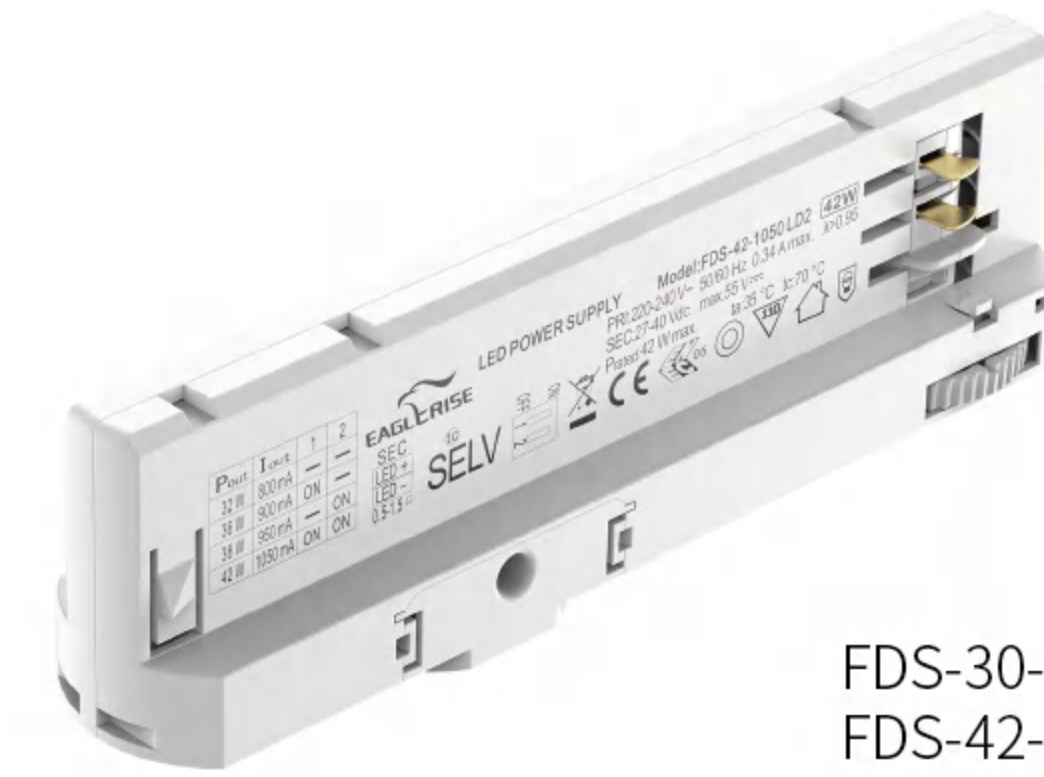
FDS-21-500 LD1-3 Wires  
FDS-32-800 LD-3 Wires  
FDS-42-1050 LD-3 Wires

Factory Default

# Track Series 30-42W Constant Current LED Driver

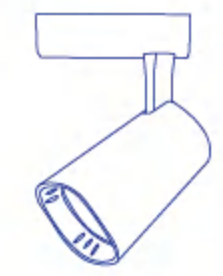


- Track adapter with integrated driver
- Class II, Isolated
- Protection: SCP/ OLP/ OVP/ OTP
- Adjustable Output Current with Dip-switch
- Warranty: 5 years
- Suitable for mainstream track:  
ZUMTOBEL/ EUTRAC 25-103/ SIDE/ IVELA  
STUCCHI/ POWERGEAR (PRO-0431)/ GLOBAL/ Erco
- Accessory: Nipples, need to order separately (Page 75)



FDS-30-700 LD EXC  
FDS-42-1050 LD EXC  
FDS-42-1050 LD ADV

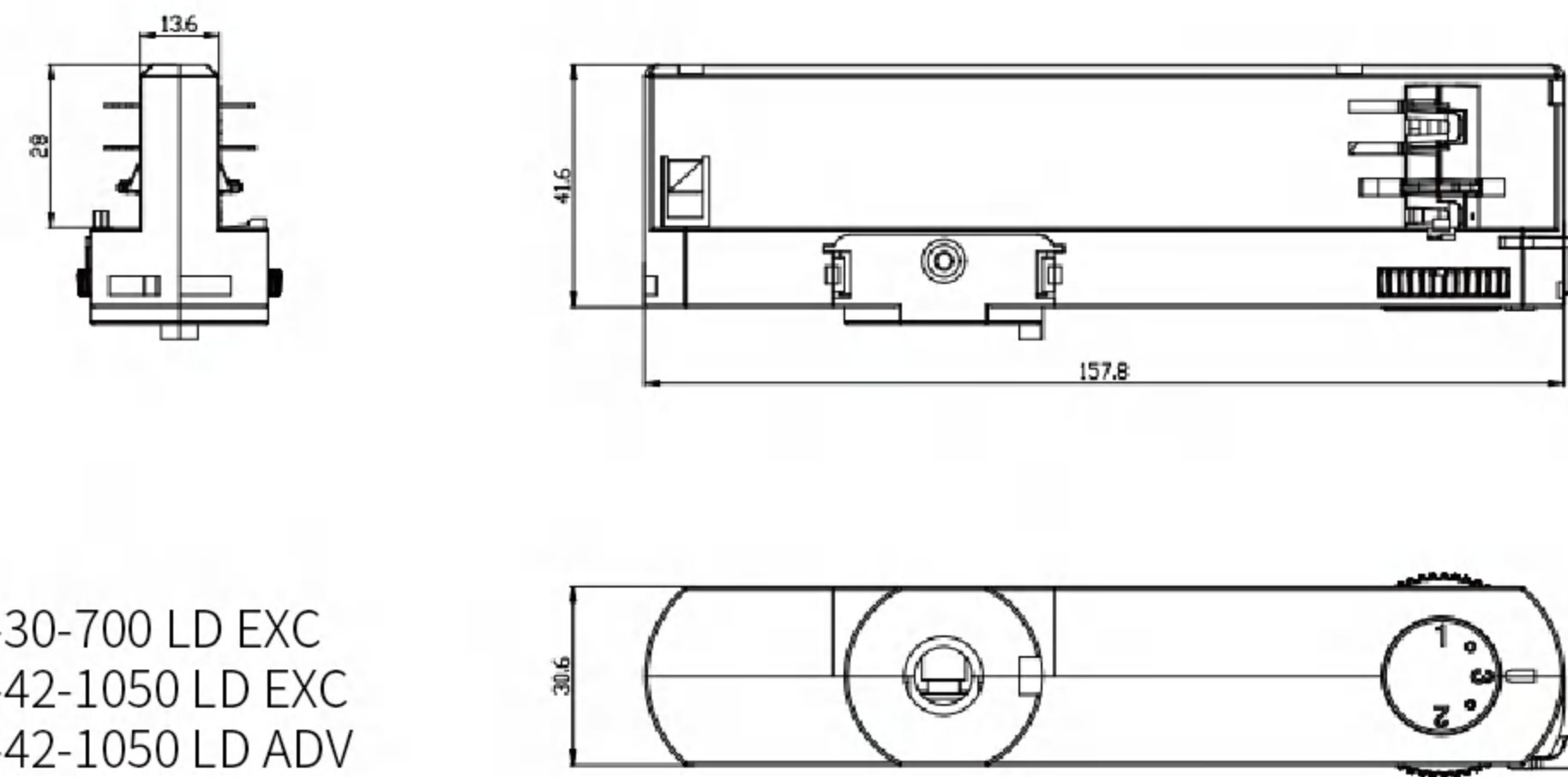
Typical Applications:



Track Spot Light

Best Seller	Size (L*W*H)	Output	THD	Typical Efficiency	No-load Power	Ta, Tc	Certification
FDS-30-700 LD EXC	158*30.6*41.6	30W/ 150-700mA/ 9-42VDC	<10%	≥84%	≤0.5W	35°C/85°C	CE/ CB/ ENEC
FDS-42-1050 LD EXC	158*30.6*41.6	42W/ 300-1050mA/ 9-42VDC	<10%	≥85%	≤0.5W	35°C/85°C	CE/ CB/ ENEC
FDS-42-1050 LD ADV	158*30.6*41.6	42W/ 300-1050mA/ 9-42VDC	<10%	≥85%	≤0.5W	35°C/85°C	CE/ CB/ ENEC

Ac Input Voltage Range	220-240 VAC 50/60 Hz
Start-up Time	<0.5 s
Hold-up Time	1 s max
Withstand Voltage	Input-Output 3750 V/ 5 mA/ 1 min
Safety Standards	IEC/EN 61347-1, IEC/EN61347-2-13, EN 62384
EMC Standards	EN55015, EN61000-3-2, EN61000-3-3, EN61547



FDS-30-700 LD EXC  
FDS-42-1050 LD EXC  
FDS-42-1050 LD ADV

### FDS-42-1050 LD EXC

Vo	Po	Io	1	2	3	4
9-42 VDC	12.6 W	300 mA	/	/	/	/
9-42 VDC	14.7 W	350 mA	ON	/	/	/
9-42 VDC	16.8 W	400 mA	/	ON	/	/
9-42 VDC	18.9 W	450 mA	ON	ON	/	/
9-42 VDC	21 W	500 mA	/	/	ON	/
9-42 VDC	23.1 W	550 mA	ON	/	ON	/
9-42 VDC	25.2 W	600 mA	/	ON	ON	/
9-42 VDC	27.3 W	650 mA	ON	ON	ON	/
9-42 VDC	29.4 W	700 mA	/	/	/	ON
9-42 VDC	31.5 W	750 mA	ON	/	/	ON
9-42 VDC	33.6 W	800 mA	/	ON	/	ON
9-40 VDC	34 W	850 mA	ON	ON	/	ON
9-40 VDC	36 W	900 mA	/	/	ON	ON
9-40 VDC	38 W	950 mA	ON	/	ON	ON
9-40 VDC	40 W	1000 mA	/	ON	ON	ON
9-40 VDC	42 W	1050 mA	ON	ON	ON	ON

### FDS-42-1050 LD ADV

Vo	Po	Io	1	2	3	4
9-42 VDC	12.6 W	300 mA	/	/	/	/
9-42 VDC	14.7 W	350 mA	ON	/	/	/
9-42 VDC	16.8 W	400 mA	/	ON	/	/
9-42 VDC	18.9 W	450 mA	ON	ON	/	/
9-42 VDC	21 W	500 mA	/	/	ON	/
9-42 VDC	23.1 W	550 mA	ON	/	ON	/
9-42 VDC	25.2 W	600 mA	/	ON	ON	/
9-42 VDC	27.3 W	650 mA	ON	ON	ON	/
9-42 VDC	29.4 W	700 mA	/	/	/	ON
9-42 VDC	31.5 W	750 mA	ON	/	/	ON
9-42 VDC	33.6 W	800 mA	/	ON	/	ON
9-40 VDC	34 W	850 mA	ON	ON	/	ON
9-40 VDC	36 W	900 mA	/	/	ON	ON
9-40 VDC	38 W	950 mA	ON	/	ON	ON
9-40 VDC	40 W	1000 mA	/	ON	ON	ON
9-40 VDC	42 W	1050 mA	ON	ON	ON	ON

### FDS-30-700 LD EXC

Vo	Po	Io	1	2	3	4
9-42 VDC	6.3 W	150 mA	/	/	/	/
9-42 VDC	8.4 W	200 mA	ON	/	/	/
9-42 VDC	10.5 W	250 mA	/	ON	/	/
9-42 VDC	12.6 W	300 mA	ON	ON	/	/
9-42 VDC	14.7 W	350 mA	/	/	ON	/
9-42 VDC	16.8 W	400 mA	ON	/	ON	/
9-42 VDC	18.9 W	450 mA	/	ON	ON	/
9-42 VDC	21 W	500 mA	ON	ON	ON	/
9-42 VDC	23.1 W	550 mA	/	/	/	ON
9-42 VDC	25.2 W	600 mA	ON	/	/	ON
9-42 VDC	27.3 W	650 mA	/	ON	/	ON
9-42 VDC	29.4 W	700 mA	ON	ON	/	ON
9-42 VDC	31.5 W	750 mA	ON	/	/	ON
9-42 VDC	33.6 W	800 mA	/	ON	/	ON
9-40 VDC	34 W	850 mA	ON	ON	/	ON
9-40 VDC	36 W	900 mA	/	/	ON	ON
9-40 VDC	38 W	950 mA	ON	/	ON	ON
9-40 VDC	40 W	1000 mA	/	ON	ON	ON
9-40 VDC	42 W	1050 mA	ON	ON	ON	ON

Factory Default



# LED DRIVER General - Constant Voltage

# CV-US Series 30-160W Constant Voltage LED Driver

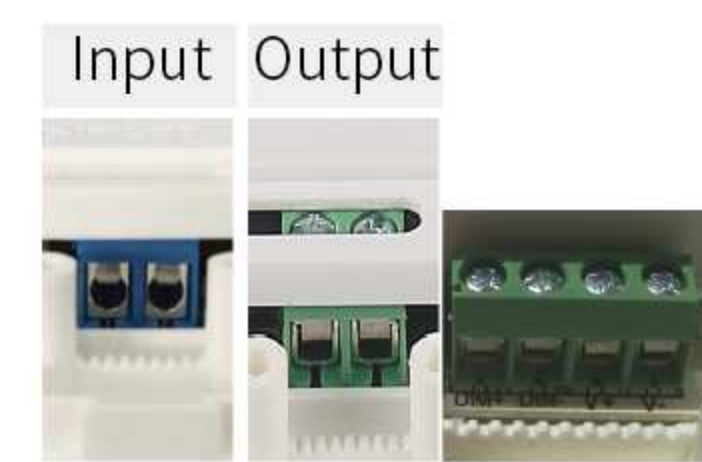


- Installation: Independent
- Class II, Isolated
- Protection: SCP/ OLP/ OVP/ OTP
- Warranty: 5 Years
- Flicker free



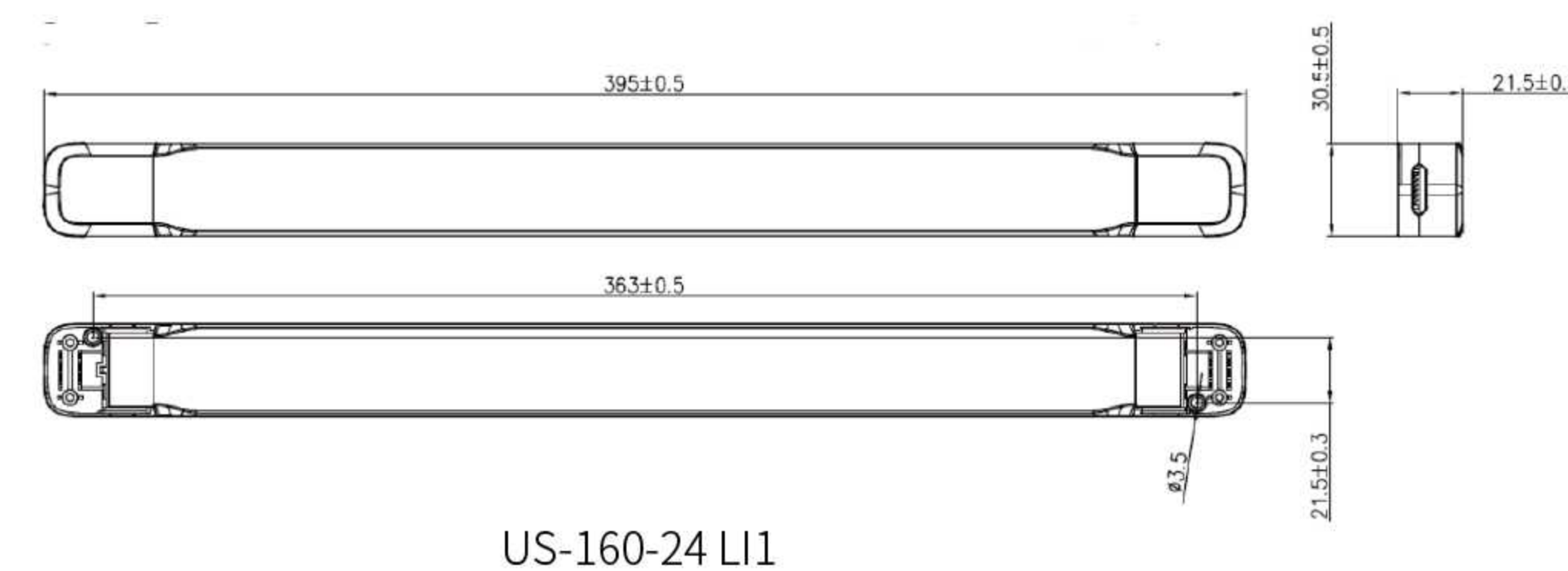
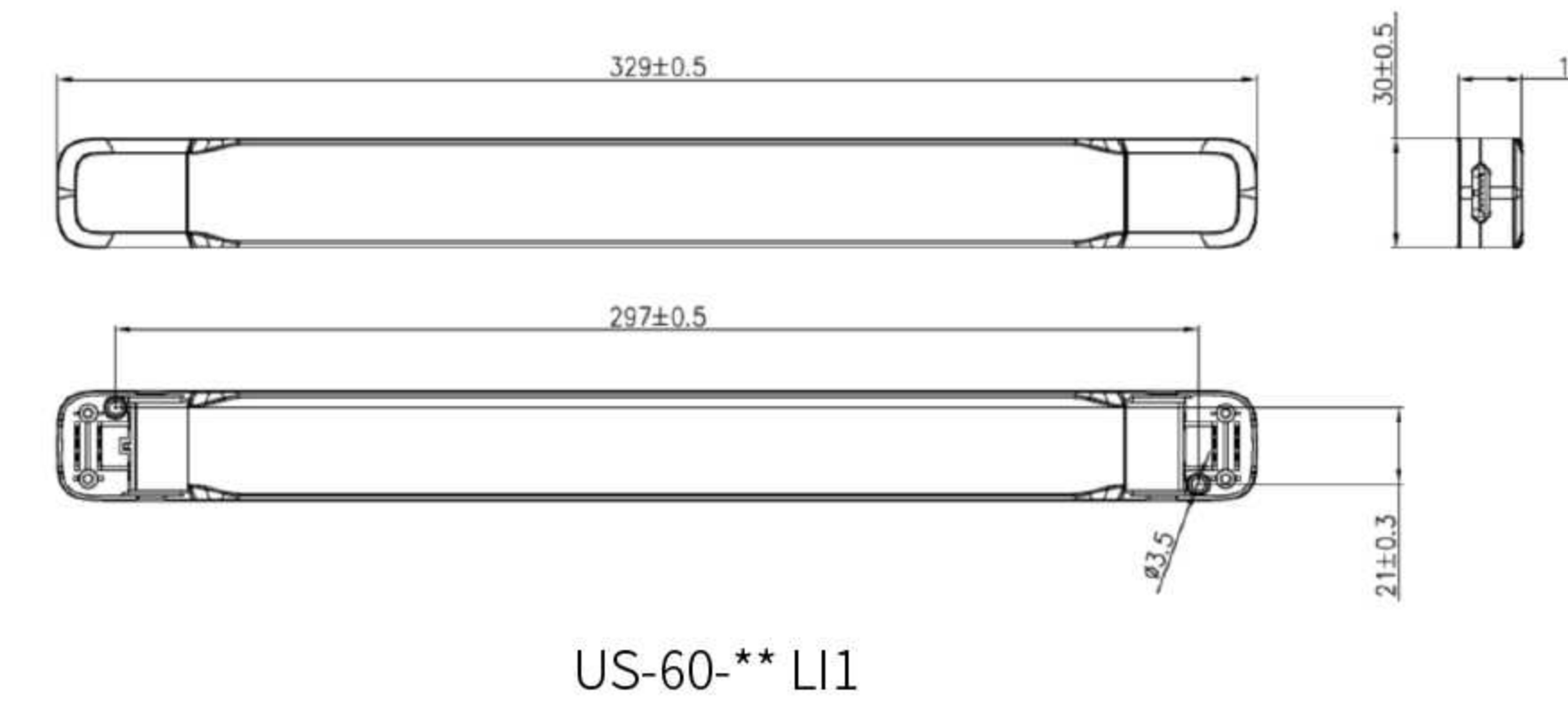
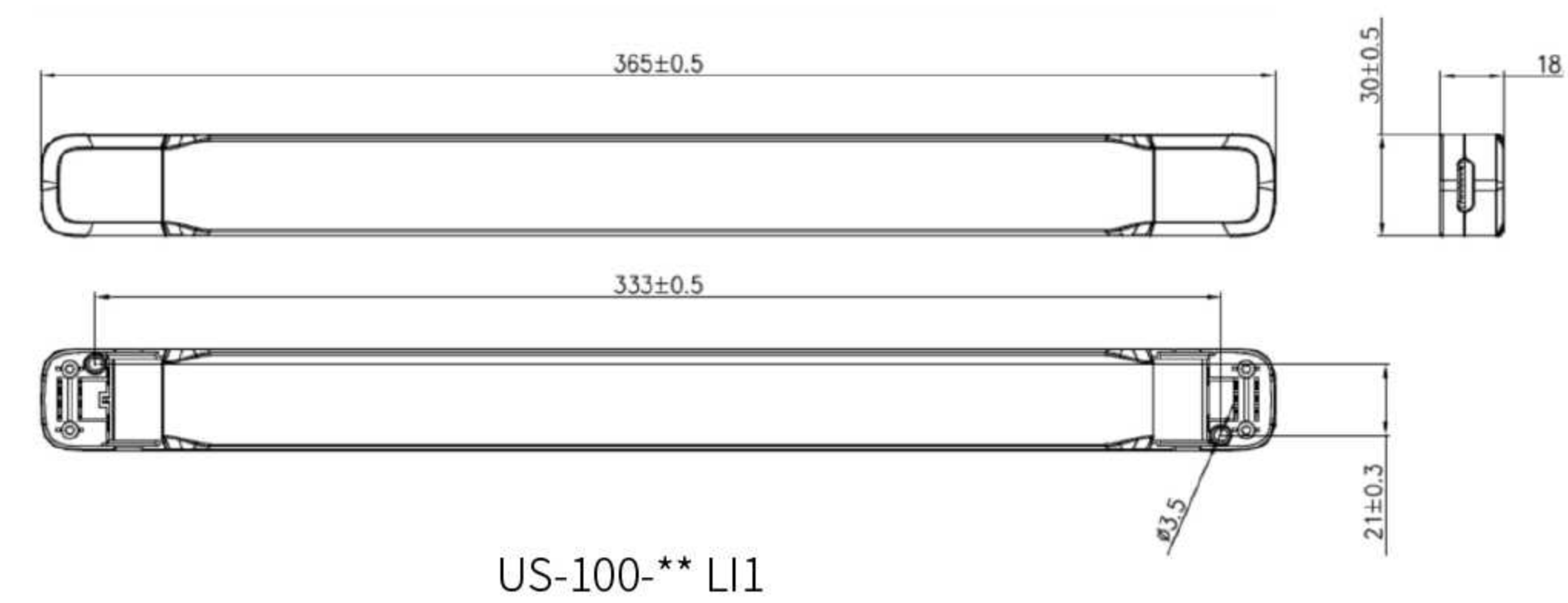
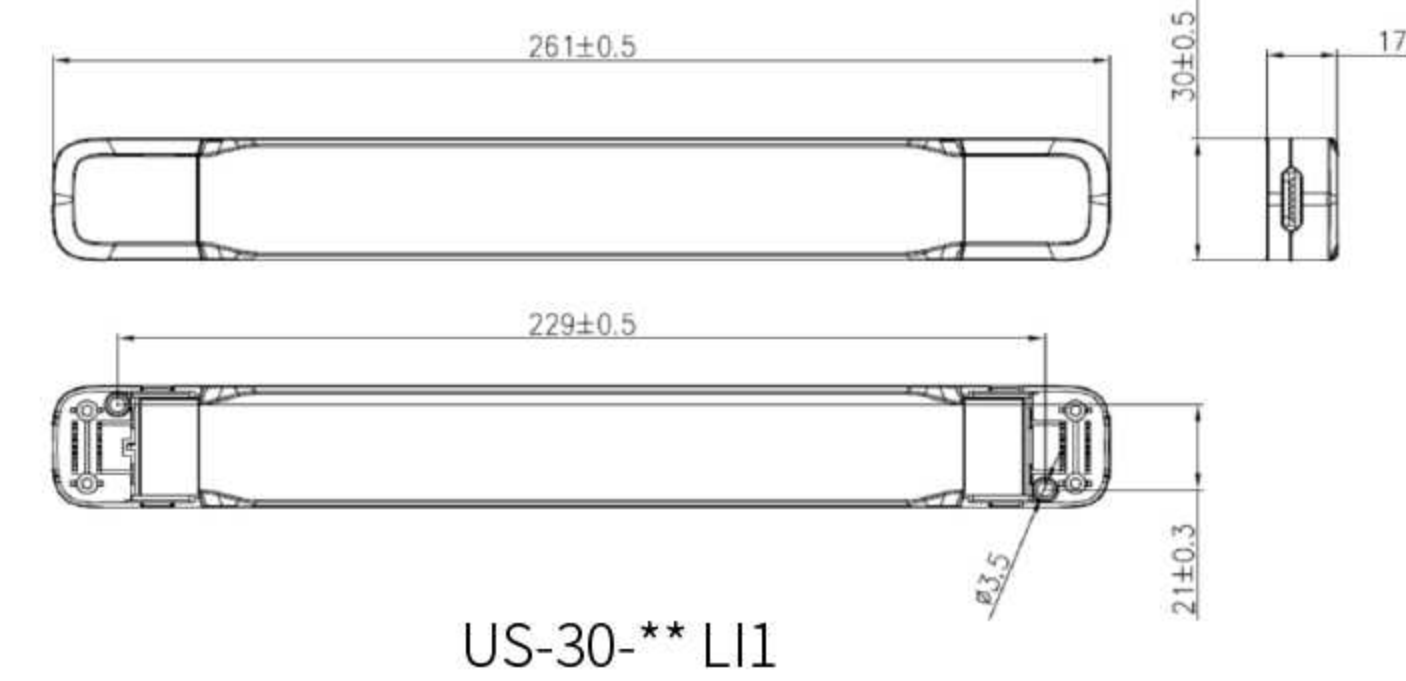
US-30-\*\* LI1  
US-60-\*\* LI1  
US-100-\*\* LI1  
US-160-24 LI1

### Typical Applications:



Best Seller	Size (L*W*H)	Output	THD	Typical Efficiency	No-load Power	Inrush Current	Ta, Tc	Certification
US-30-12 LI1 US-30-24 LI1	261*30*17	30W/ 12V/ 0-2.5A 30W/ 24V/ 0-1.25A	<8%	≥83%	≤0.5W	20A	45°C/90°C	CB/ CE/ MM/ CCC/ ENEC
US-60-12 LI1 US-60-24 LI1	329*30*17	60W/ 12V/ 0-5A 60W/ 24V/ 0-2.5A	<8%	≥87%	≤0.5W	20A	45°C/90°C	CB/ CE/ MM/ CCC/ ENEC
US-100-12 LI1 US-100-24 LI1	365*30*18	100W/ 12V/ 0-8.33A 100W/ 24V/ 0-4.17A	<8%	≥88%	≤0.5W	60A	45°C/90°C	CB/ CE/ MM/ CCC/ ENEC
US-160-24 LI1	395*30.5*21.5	160W/ 24V/ 0-6.67A	<8%	≥92%	≤0.5W	60A	45°C/80°C	CB/ CE/ MM/ CCC/ ENEC

Ac Input Voltage Range	220-240 VAC 50/60 Hz
Start-up Time	<0.5 s
Hold-up Time	1 s max
Withstand Voltage	Input-Output 3750 V/ 5 mA/ 1 min
Safety Standards	IEC/EN 61347-1, IEC/EN61347-2-13, GB19510.1, GB19510.14, EN 62384
EMC Standards	GB/T17743, GB 17625.1



# CV-MM Series 30-150W Constant Voltage LED Driver

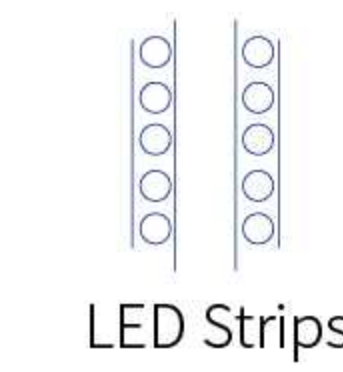


- Installation: Independent
- Class II, Isolated
- Protection: SCP/ OLP/ OVP
- Warranty: 5 Years



LS-30-\*\* LI EXC  
LS-60-\*\* LI EXC  
LS-75-\*\* LI EXC  
LS-120-\*\* LI EXC  
LS-150-\*\* LI EXC

### Typical Applications:



Best Seller	Size (L*W*H)	Output	THD	Typical Efficiency	No-load Power	Inrush Current	Ta, Tc	Certification
LS-30-12 LI EXC LS-30-24 LI EXC	136*38*28	30W/ 12V/ 0-2.5A 30W/ 24V/ 0-1.25A	<15%	≥87%	≤0.5W	20A	45°C/75°C	CB/ CE/ MM/ CCC/ ENEC
LS-60-12 LI EXC LS-60-24 LI EXC	158*38*30	60W/ 12V/ 0-5A 60W/ 24V/ 0-2.5A	<10%	≥88%	≤0.5W	45A	45°C/75°C	CB/ CE/ MM/ CCC/ ENEC
LS-75-12 LI EXC LS-75-24 LI EXC	158*38*30	75W/ 12V/ 0-6.25A 75W/ 24V/ 0-3.13A	<10%	≥88% ≥89%	≤0.5W	50A	45°C/80°C	CB/ CE/ MM/ CCC/ ENEC
LS-120-24 LI EXC LS-120-48 LI EXC	227*38*30	120W/ 24V/ 0-5A 120W/ 48V/ 0-2.5A	<10%	≥91%	≤0.5W	55A	45°C/85°C	CB/ CE/ MM/ CCC/ ENEC
LS-150-24 LI EXC LS-150-48 LI EXC	227*38*30	150W/ 24V/ 0-6.25A 150W/ 48V/ 0-3.13A	<10%	≥91%	≤0.5W	55A	45°C/85°C	CB/ CE/ MM/ CCC/ ENEC

\* This series is still under development, the appearance and parameters may be changed, please refer to the final object.

# CV-MM Series 12-150W Constant Voltage LED Driver



- Installation: Independent
- Class II, Isolated
- Protection: SCP/ OLP/ OVP
- Warranty: 5 Years

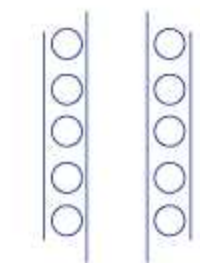


LS-12-12 MI  
LS-20-12 MI



LS-12-12 MI  
LS-20-12 MI

Typical Applications:

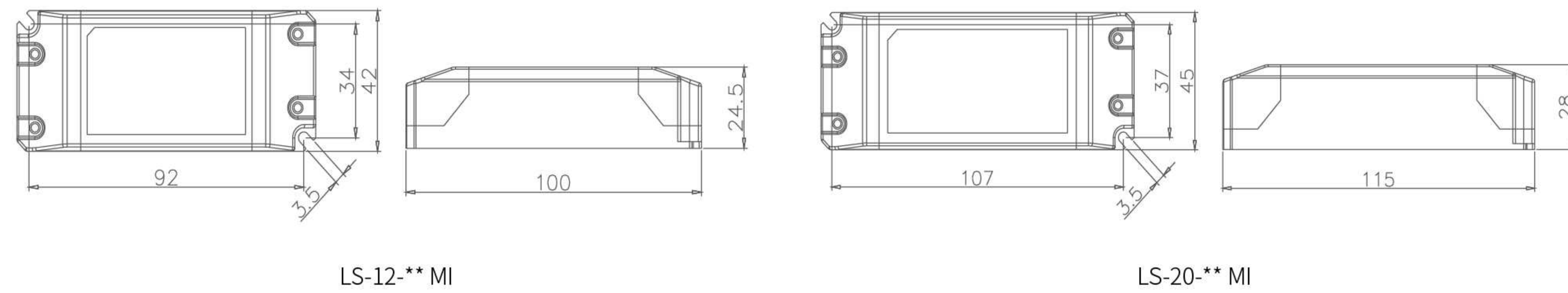


LED Strips

Best Seller	Size (L*W*H)	Output	THD	Typical Efficiency	No-load Power	Inrush Current	Ta, Tc	Certification
<ul style="list-style-type: none"> <li>• LS-12-12 MI</li> <li>• LS-12-24 MI</li> </ul>	100*42*24.5	12W/ 12V/ 0-1A 12W/ 24V/ 0-0.5A	<10%	≥82%	≤0.5W	20A	45°C/70°C	CB/ CE/ CCC/ ENEC
<ul style="list-style-type: none"> <li>• LS-20-12 MI</li> <li>• LS-20-24 MI</li> </ul>	115*45*28	20W/ 12V/ 0-1.67A 20W/ 24V/ 0-0.83A	<10%	≥80%	≤0.5W	20A	45°C/75°C	CB/ CE/ CCC/ ENEC

• : Regular Stock

Ac Input Voltage Range	220-240 VAC 50/60 Hz
Start-up Time	<0.5 s
Hold-up Time	1 s max
Withstand Voltage	Input-Output 3750 V/ 5 mA/ 1 min
Safety Standards	IEC/EN 61347-1, IEC/EN61347-2-13, GB19510.1, GB19510.14, EN 62384
EMC Standards	GB/T17743, GB 17625.1



LS-12-12 MI

LS-20-12 MI

# CV-SS Series 6-60W Constant Voltage LED Driver



- Installation: Built-in
- Class II, Isolated
- Protection: SCP/ OLP/ OVP
- Warranty: 5 Years

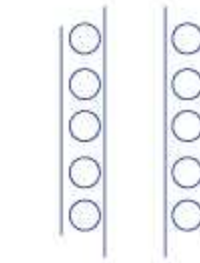


SS-6-12 MB

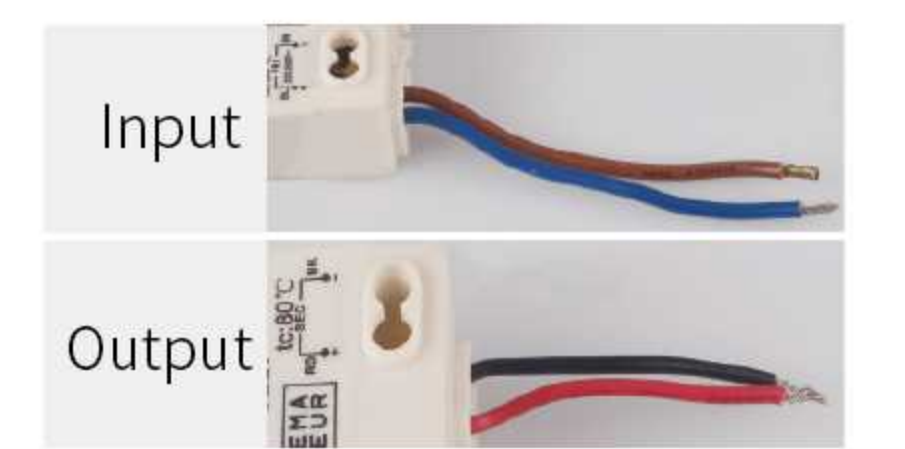


SS-12-12 MB  
SS-18-12 MB

Typical Applications:



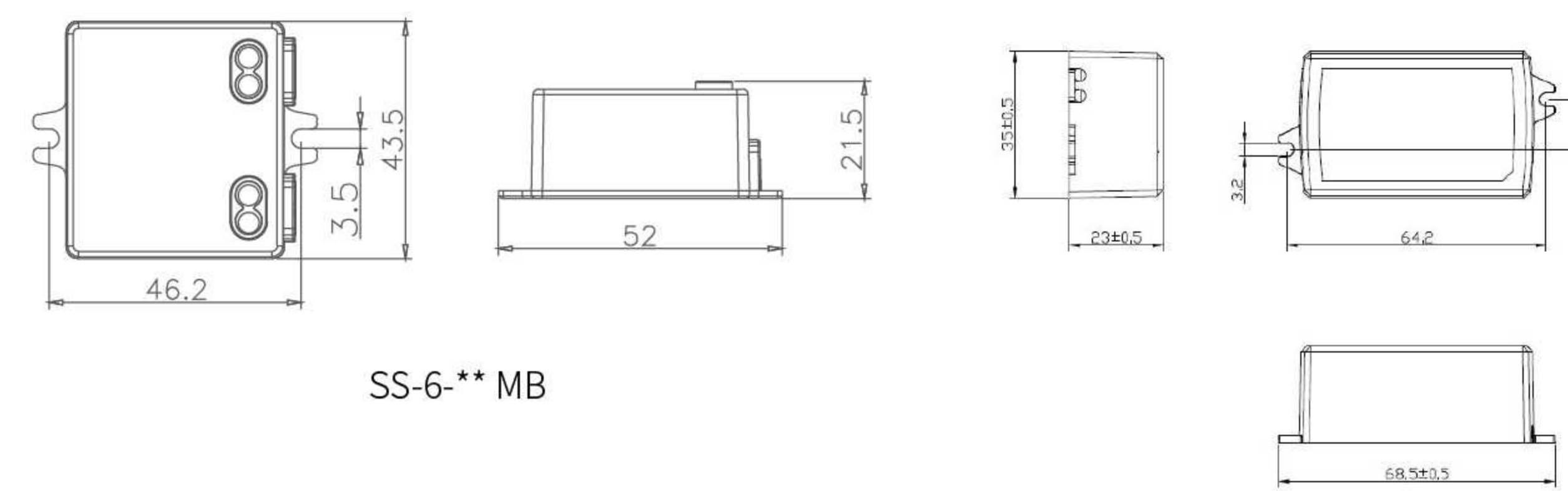
LED Strip



Best Seller	Size (L*W*H)	Output	Typical Efficiency	No-load Power	Inrush Current	Ta, Tc	Certification
<ul style="list-style-type: none"> <li>• SS-6-12 MB</li> <li>• SS-6-24 MB</li> </ul>	52*43.5*22.5	6W/ 12V/ 0-0.5A 6W/ 24V/ 0-0.25A	≥75%	≤0.5W	10A	45°C/80°C	CB/ CE/ CCC/ RCM/ ENEC
<ul style="list-style-type: none"> <li>• SS-12-12 MB</li> <li>• SS-12-24 MB</li> </ul>	68.5*53*23	12W/ 12V/ 0-1A 12W/ 24V/ 0-0.5A	≥83%	≤0.5W	10A	45°C/80°C	CB/ CE/ CCC/ RCM/ ENEC
<ul style="list-style-type: none"> <li>• SS-18-12 MB</li> <li>• SS-18-24 MB</li> </ul>	68.5*53*23	18W/ 12V/ 0-1.5A 18W/ 24V/ 0-0.75A	≥80%	≤0.5W	10A	45°C/85°C	CB/ CE/ CCC/ RCM/ ENEC

• : Regular Stock

Ac Input Voltage Range	220-240 VAC 50/60 Hz
Start-up Time	<0.5 s
Hold-up Time	1 s max
Withstand Voltage	Input-Output 3750 V/ 5 mA/ 1 min
Safety Standards	IEC/EN 61347-1, IEC/EN61347-2-13, GB19510.1, GB19510.14, EN 62384
EMC Standards	GB/T17743, GB 17625.1



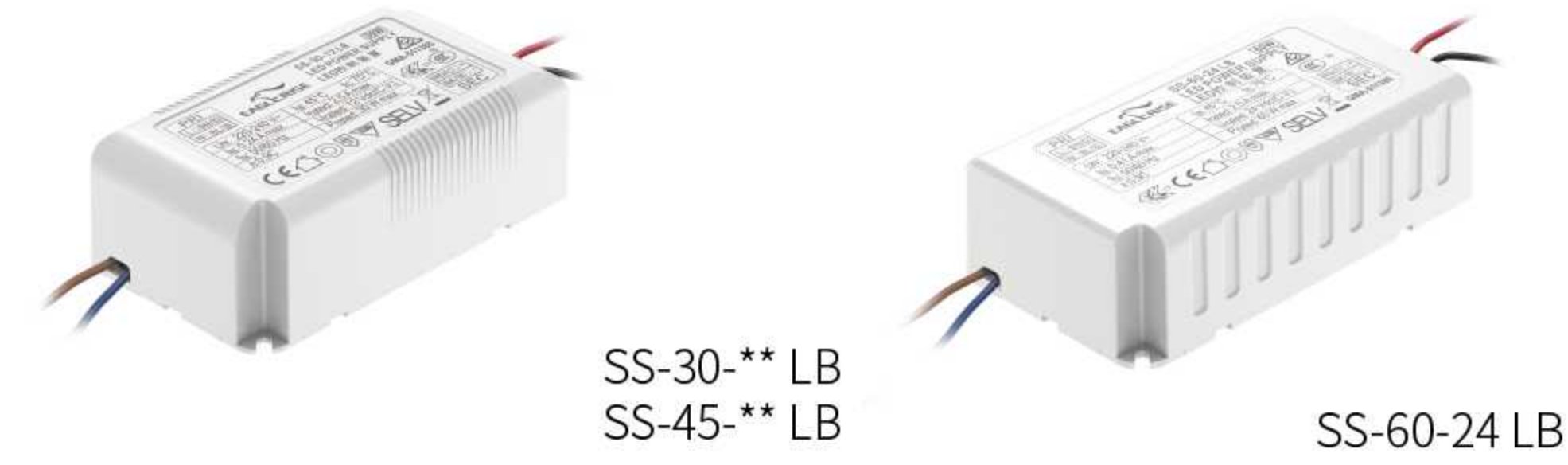
SS-6-12 MB

SS-12-12 MB  
SS-18-12 MB

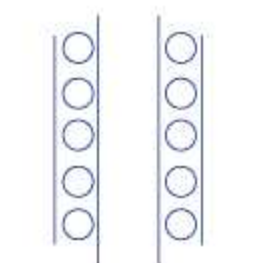
# CV-SS Series 30-60W Constant Voltage LED Driver



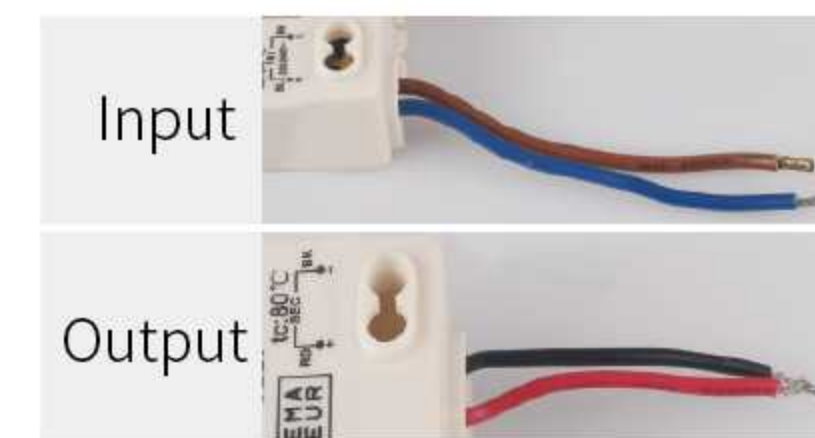
- Installation: Built-in
- Class II, Isolated
- Protection: SCP/ OLP/ OVP
- Warranty: 5 Years



Typical Applications:



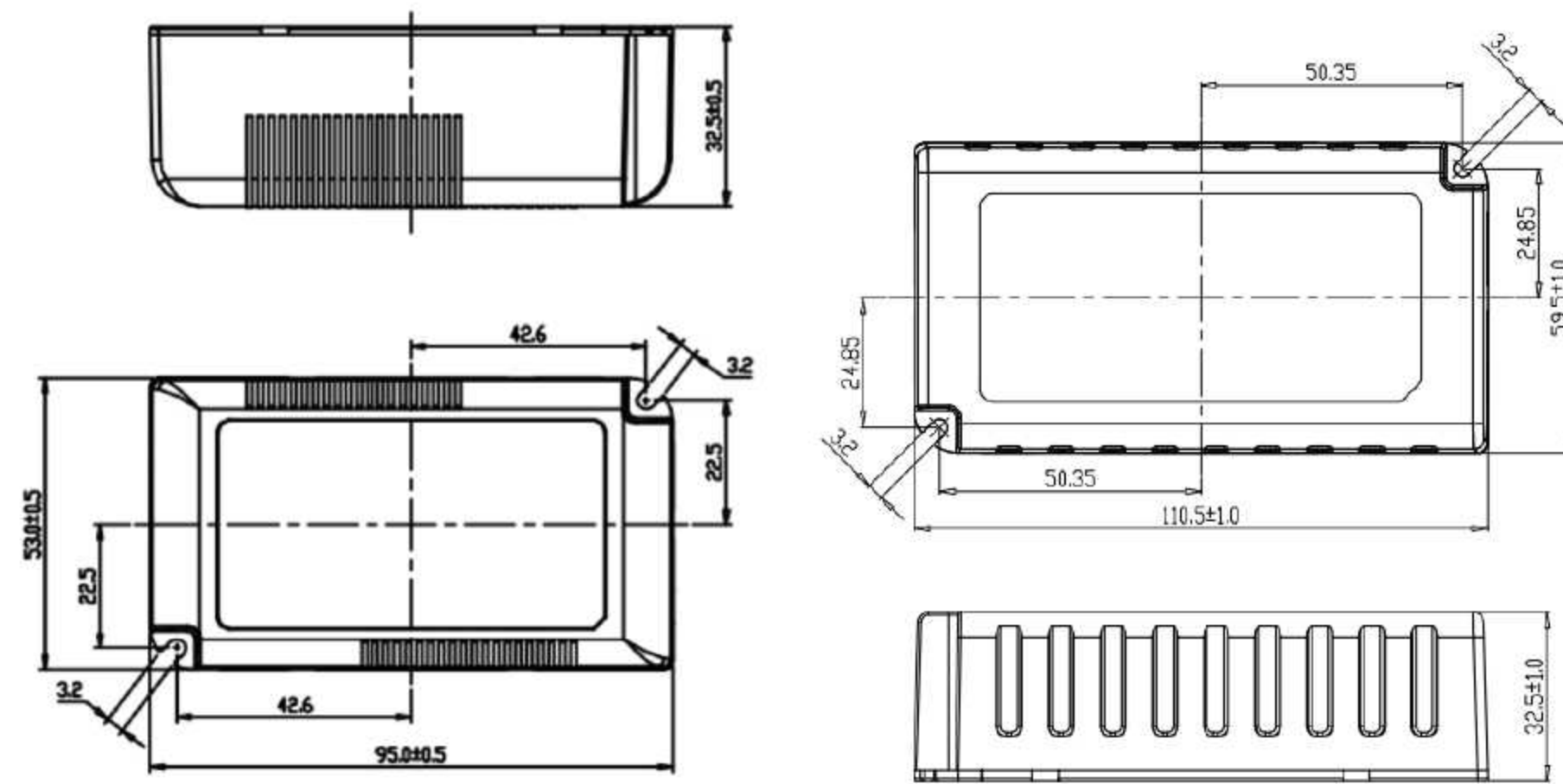
LED Strip



Best Seller	Size (L*W*H)	Output	Typical Efficiency	No-load Power	Inrush Current	Ta, Tc	Certification
<ul style="list-style-type: none"> <li>• SS-30-12 LB</li> <li>• SS-30-24 LB</li> </ul>	95*53*23.2	30W/ 12V/ 0-2.5A 30W/ 24V/ 0-1.25A	≥85%	≤0.5W	10A	45°C/75°C	CB/ CE/ CCC/ RCM/ ENEC
<ul style="list-style-type: none"> <li>• SS-45-12 LB</li> <li>• SS-45-24 LB</li> </ul>	95*53*23.2	45W/ 12V/ 0-3.75A 45W/ 24V/ 0-1.88A	≥85%	≤0.5W	10A	45°C/85°C	CB/ CE/ CCC/ RCM/ ENEC
<ul style="list-style-type: none"> <li>• SS-60-24 LB</li> </ul>	110.5*59.5*32.5	60W/ 24V/ 0-2.5A	≥87%	≤0.5W	30A	45°C/75°C	CB/ CE/ CCC/ RCM/ ENEC

• : Regular Stock

Ac Input Voltage Range	220-240 VAC 50/60 Hz
Start-up Time	<0.5 s
Hold-up Time	1 s max
Withstand Voltage	Input-Output 3750 V/ 5 mA/ 1 min
Safety Standards	IEC/EN 61347-1, IEC/EN61347-2-13, GB19510.1, GB19510.14, EN 62384
EMC Standards	GB/T17743, GB 17625.1



SS-30-12 LB  
SS-45-12 LB

SS-60-24 LB

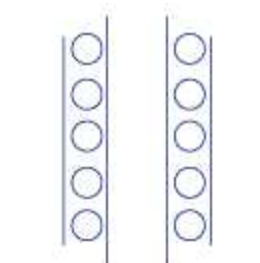
# CV-SH Series 8-35W Constant Voltage LED Driver



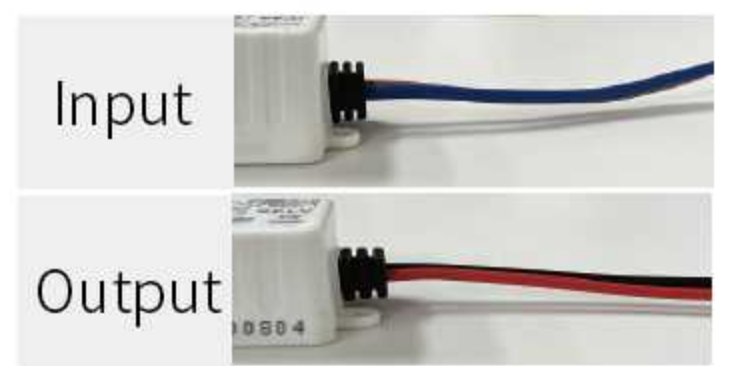
- Class II, SELV, Independent
- IP44 Ingress protection
- Input Voltage 100-240 VAC
- Protection: SCP/ OLP/ OTP
- Power Factor 0.8C
- Efficiency ≥75%@Full Load, 240 VAC
- Warranty: 5 Years



Typical Applications:

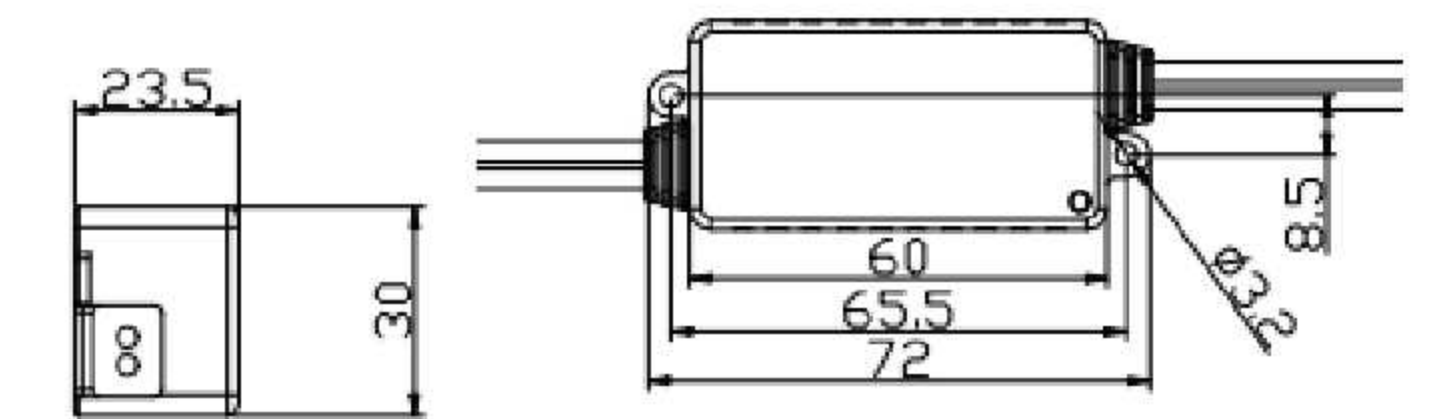


LED Strip

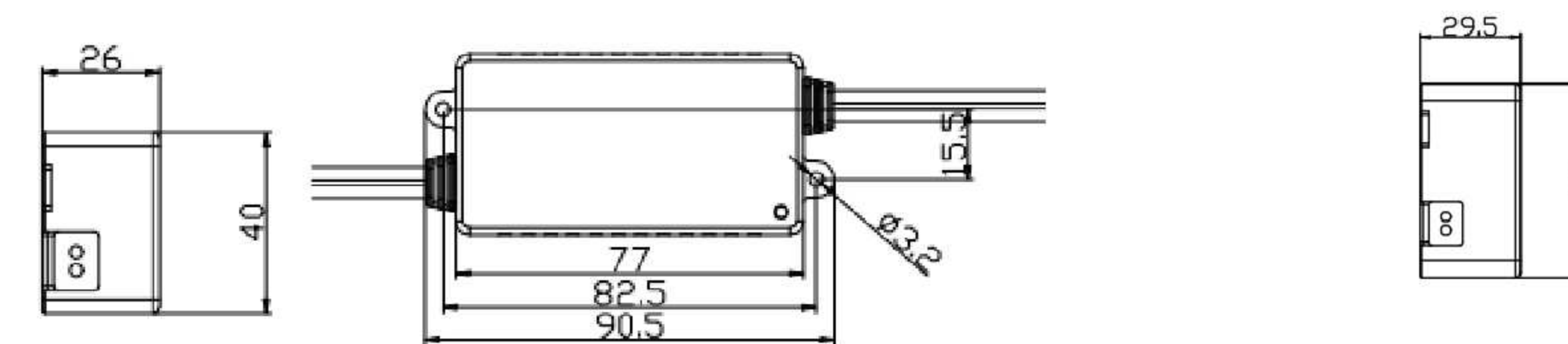


Best Seller	Size (L*W*H)	Output	THD	Typical Efficiency	No-load Power	Inrush Current	Ta, Tc	Certification
<ul style="list-style-type: none"> <li>• SH-8-12 IP44 MB</li> <li>• SH-8-24 IP44 MB</li> </ul>	72*30*23.5	8W/ 12V/ 0-0.67A 8W/ 24V/ 0-0.34A	<10%	≥75%	≤0.5W	5A	45°C/85°C	CE
<ul style="list-style-type: none"> <li>• SH-16-12 IP44 MB</li> <li>• SH-16-24 IP44 MB</li> </ul>	90.5*40*26	16W/ 12V/ 0-1.25A 16W/ 24V/ 0-0.625A	<10%	≥76%	≤0.5W	10A	45°C/85°C	CE
<ul style="list-style-type: none"> <li>• SH-35-12 IP44 MB</li> <li>• SH-35-24 IP44 MB</li> </ul>	98.5*57*29.5	35W/ 12V/ 0-2.91A 35W/ 24V/ 0-1.458A	<10%	≥80%	≤0.5W	30A	45°C/90°C	CE

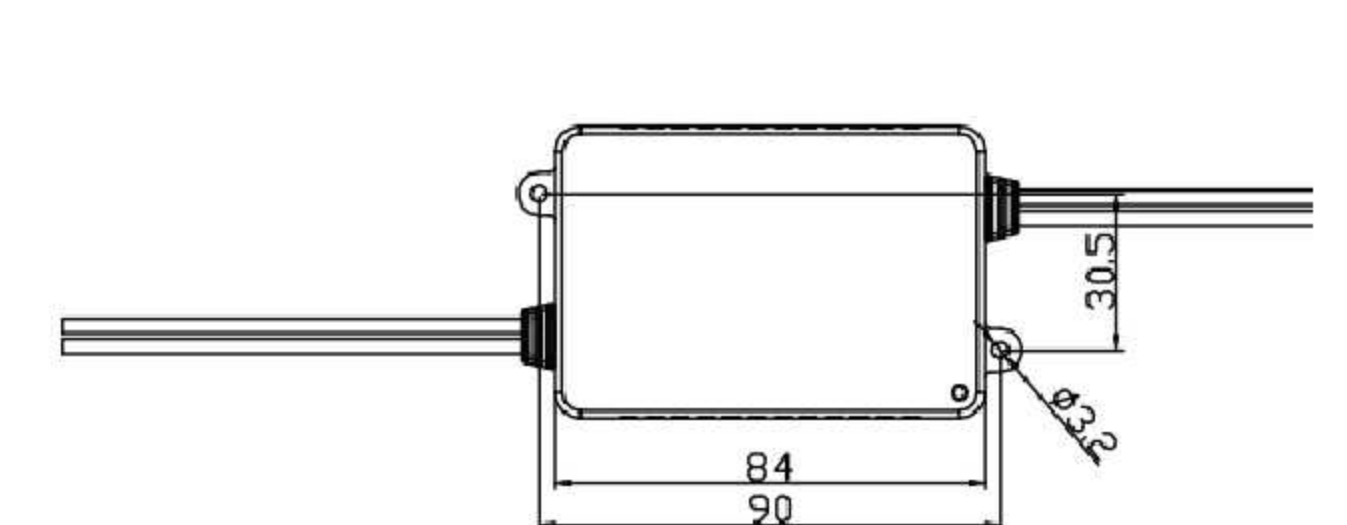
Ac Input Voltage Range	100-240 VAC 50/60 Hz
Start-up Time	<0.5 s
Hold-up Time	1 s max
Withstand Voltage	Input-Output 3750 V/ 5 mA/ 1 min
Safety Standards	IEC/EN 61347-1, IEC/EN61347-2-13, GB19510.1, GB19510.14, EN 62384
EMC Standards	EN55015, EN61000-3-2, EN61000-3-3, EN61547, GB/T17743, GB 17625.1



SH-8-12 IP44 MB



SH-16-12 IP44 MB



SH-35-12 IP44 MB



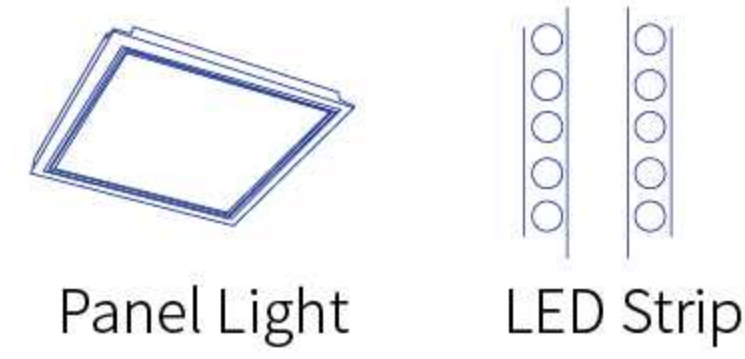
# CV-VTS Series 24-100W Constant Voltage LED Driver



- High efficiency up to 88%
- Built-in active PFC function
- Protection: OLP/ SCP/ OTP
- Compact plastic case, Free air convection
- Waterproof (IP67) and ULDry/ Damp/ Wet Location
- Input Surge Protection :2kV line-line
- High Reliability & Long Lifetime & 3 Years Warrant



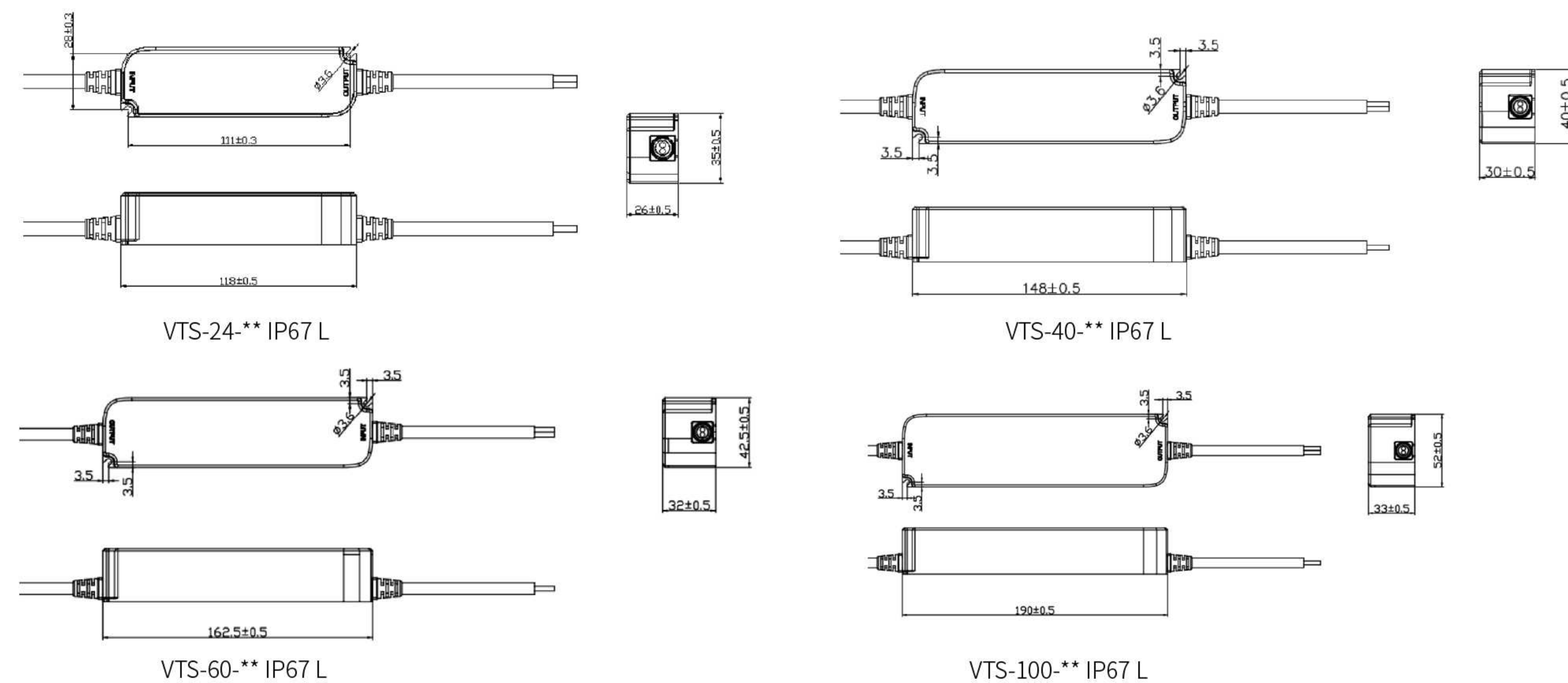
Typical Applications:



Best Seller	Size (L*W*H)	Output	THD	Efficiency	No-load Power	Inrush Current	Ta, Tc	Certificate
<ul style="list-style-type: none"> <li>• VTS-24-12 IP67 L</li> <li>• VTS-24-24 IP67 L</li> </ul>	118*35*26	24W/ 12V/ 0-2A 24W/ 24V/ 0-1A	<10%	≥86%	≤0.5W	25A	70°C/90°C	CB/ CE/ MM/ ENEC
<ul style="list-style-type: none"> <li>• VTS-40-12 IP67 L</li> <li>• VTS-40-24 IP67 L</li> </ul>	148*42*30	40W/ 12V/ 0-3.34A 40W/ 24V/ 0-1.67A	<10%	≥86%	≤0.5W	50A	70°C/90°C	CB/ CE/ MM/ ENEC
<ul style="list-style-type: none"> <li>• VTS-60-12 IP67 L</li> <li>• VTS-60-24 IP67 L</li> </ul>	162.5*42.5*32	60W/ 12V/ 0-5A 60W/ 24V/ 0-2.5A	<5%	86.5% 89%	≤0.5W	50A	70°C/90°C	CB/ CE/ MM/ ENEC
<ul style="list-style-type: none"> <li>• VTS-100-12 IP67 L</li> <li>• VTS-100-24 IP67 L</li> </ul>	190*52*33	100W/ 12V/ 0-8.33A 100W/ 24V/ 0-4.17A	<5%	87% 89%	≤1W	60A	70°C/90°C	CB/ CE/ MM/ ENEC

• : Regular Stock

Ac Input Voltage Range	220-240 VAC 50/60 Hz
Start-up Time	<0.5 s
Hold-up Time	1 s max
Withstand Voltage	Input-Output 3750 V/ 5 mA/ 1 min
Safety Standards	IEC/EN 61347-1, IEC/EN61347-2-13, GB19510.1, GB19510.14, EN 62384
EMC Standards	EN55015, EN61000-3-2, EN61000-3-3, EN61547, GB/T17743, GB 17625.1



# Track Series 100-250W Constant Voltage LED Driver

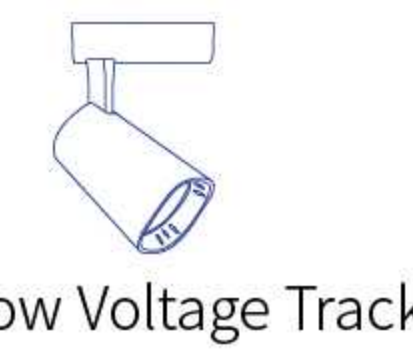


- Easy to disassemble and assemble
- With working light (EXC)
- Class II, Isolation
- Protection: SCP/ OLP/ OVP/ OTP
- Flicker free
- Warranty: 5 years



LS-100-48 LX EXC  
LS-150-48 LX EXC  
LS-250-48 LX EXC

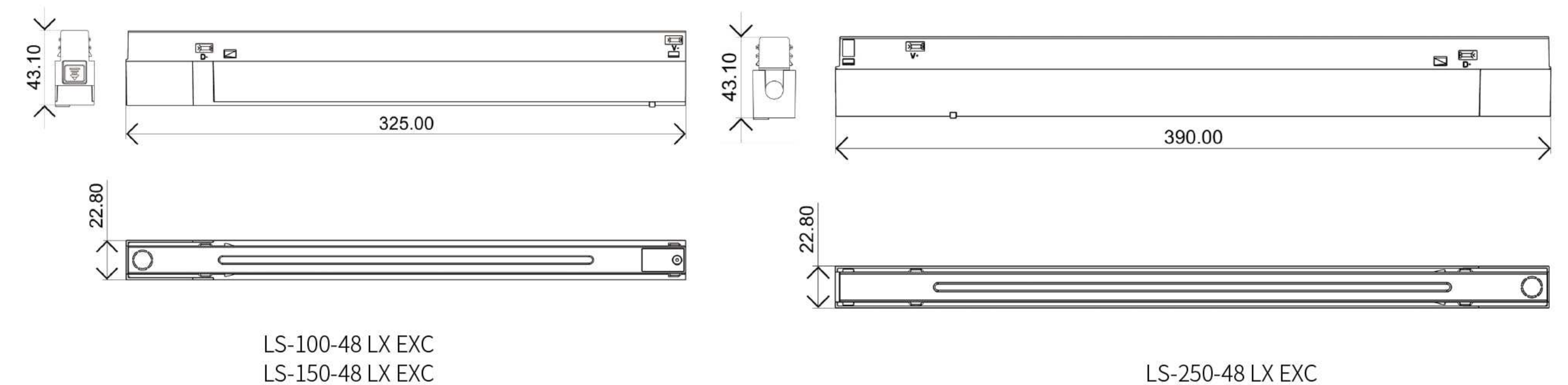
Typical Applications:



Low Voltage Track

Best Seller	Size (L*W*H)	Output	THD	Typical Efficiency	No-load Power	Certification
LS-100-48 LX EXC	325*22.8*43	100W/ 0-2.08A/ 48VDC	<10%	≥88%	≤0.5W	CE/ ENEC
LS-150-48 LX EXC	325*22.8*43	150W/ 0-3.13A/ 48VDC	<10%	≥91%	≤0.5W	CE/ ENEC
LS-250-48 LX EXC	390*22.8*43	250W/ 0-5.2A/ 48VDC	<10%	≥93%	≤0.5W	CE/ ENEC

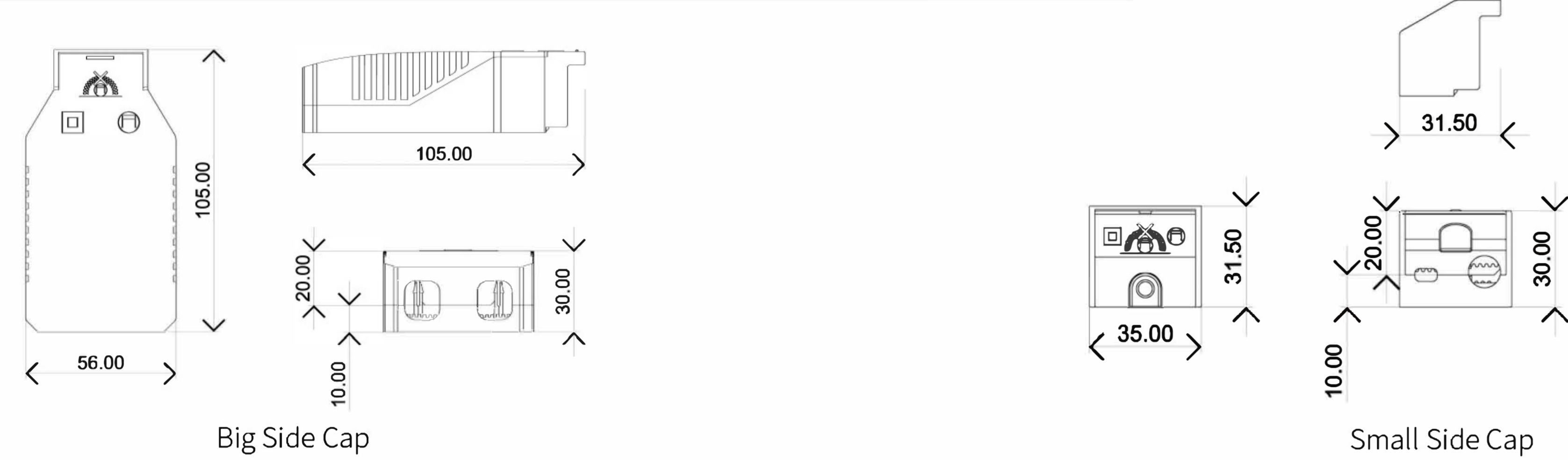
Ac Input Voltage Range	220-240 VAC 50/60 Hz
Start-up Time	<0.7 s
Hold-up Time	1 s max
Withstand Voltage	Input-Output 3750 V/ 5 mA/ 1 min
Safety Standards	IEC/ EN61347-1, IEC/ EN61347-2-13, EN62384
EMC Standards	EN55015, EN61000-3-2, EN61000-3-3, EN61547



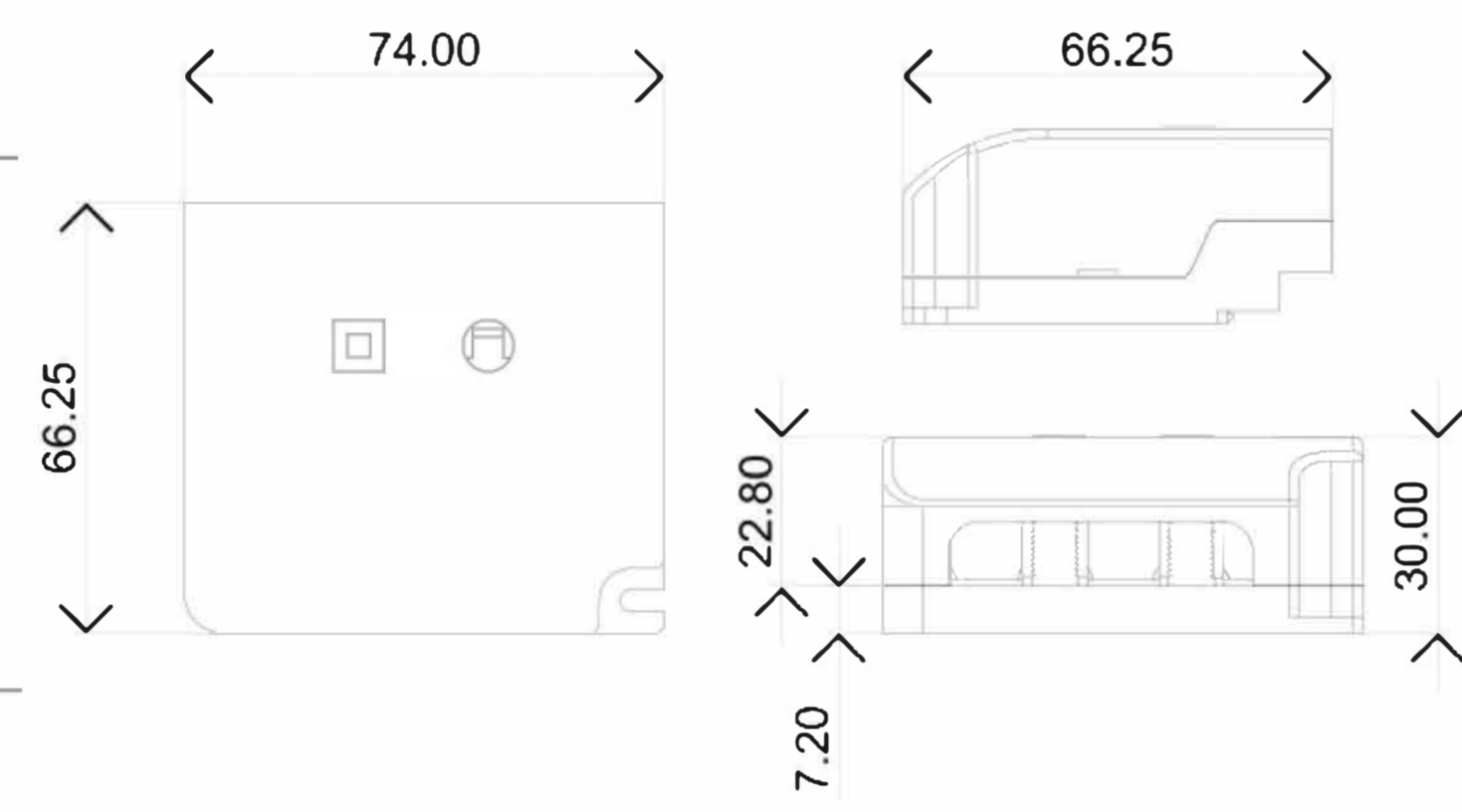
# Optional Accessories (Require Additional Order)

## Side Caps

Order Number	Description	Suitable for
132021T0033	Bottom Big Side Cap (White)	
132021T0034-1	Top Big Side Cap (Grey)	FLS-30-700 DALI-2 LD ECO FLS-24-550 LD ECO
132021T0079-1	Top Big Side Cap (White)	FLS-44-1050 DALI-2 LD ECO FLS-30-700 LD ECO
132021T0035	Bottom Small Side Cap	FLS-30-700 DALI-2 LD2 FLS-38-900 LD ECO
132021T0036-1	Top Small Side Cap (Grey)	FLS-44-1050 DALI-2 LD2 FLS-42-1050 LD ECO
132021T0080-1	Top Small Side Cap (White)	

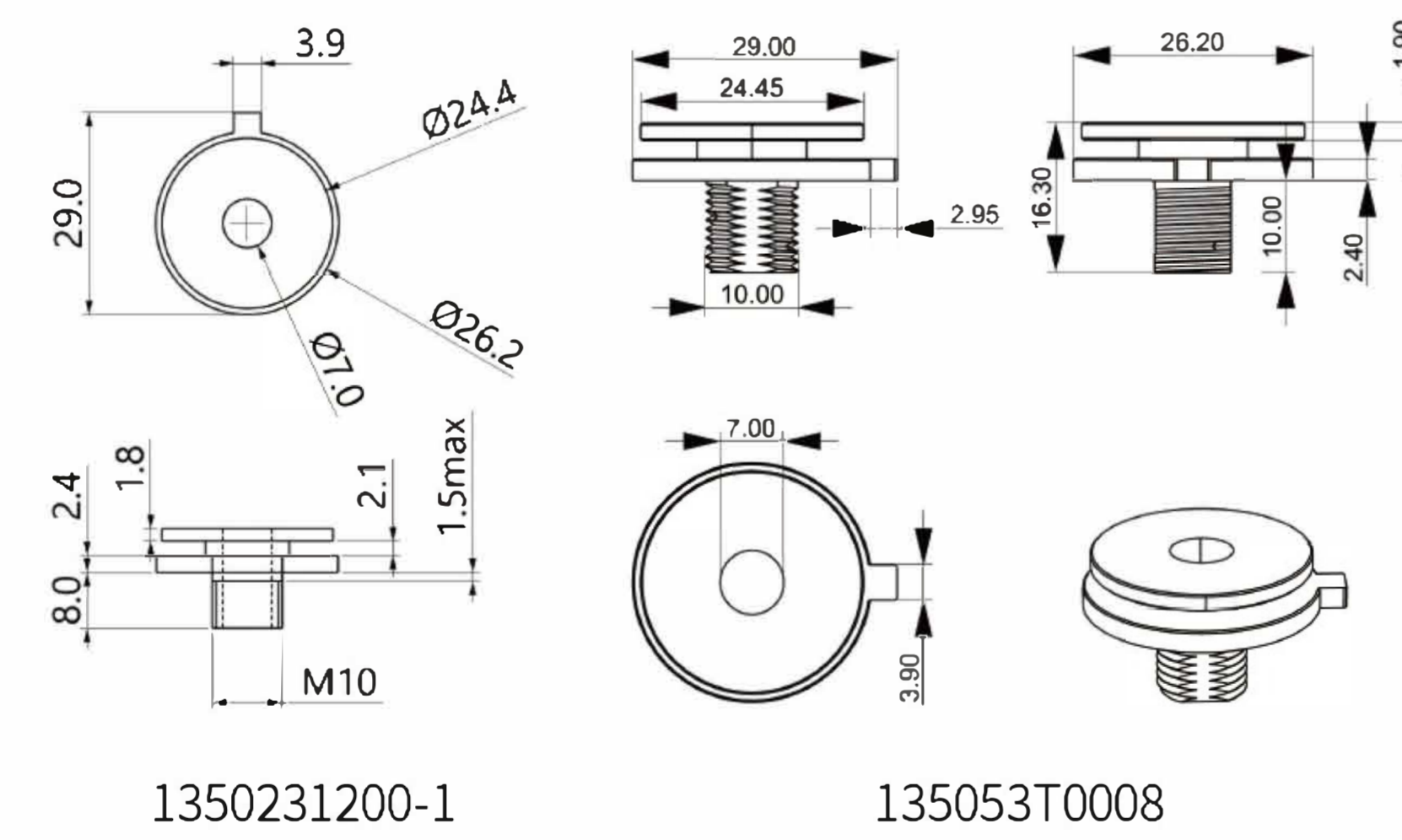


Order Number	Description	Suitable for
1320211946-1	Top Side Cap (White)	FLS-26-700 DALI-2-DT8 LD FSS-60-1400 DALI2 LD1 FLS-44-1050 DALI-2-DT8 LD FSS-26-700 DALI-2 D4i LN
1320211998-1	Bottom Side Cap (White)	FSS-60-1700 LD FSS-44-1050 DALI-2 D4i LN



## Nipples

Order Number	Description	Suitable for
1350231200-1	Aluminum, Grey, Size: M10*8	FDS-12-350 DALI-2 LD
		FDS-30-700 DALI-2 LD
		FDS-40-1050 DALI-2 LD
		FDS-21-500 LD1-3 Wires
		FDS-32-800 LD1-3 Wires
135053T0008	Zinc alloy, Grey, Size: M10*10	FDS-42-1050 LD1-3 Wires
		FDS-12-350 LD2
		FDS-21-500 LD2
		FDS-30-700 LD2
		FDS-42-1050 LD2
		FDS-42-1050 LD EXC
		FDS-30-700 LD EXC
		FDS-42-1050 LD ADV



## App

### EAGLERISE NFC App

Suitable for:

- FMS-35-350 N-S DALI-2 LN
- FMS-75-600 N-S DALI-2 LN
- FMS-100-700 N-S DALI-2 LN
- FMS-150-800 N-S DALI-2 LN
- FMS-35-350 N-S DALI-2 LN1
- FMS-75-600 N-S DALI-2 LN1
- FMS-100-700 N-S DALI-2 LN1
- FMS-35-350 N-S LN
- FMS-75-600 N-S LN
- FMS-100-700 N-S LN
- FMS-150-800 N-S LN



\* Bluetooth and Zigbee System also come with Eaglerise's self-developed APP. Please contact our sales for more details.

# Old Product Replacement Table

	Series Name	Old Version	New Version		
Intelligence	Compact	0-10 V	FLS-12-350 0-10 LA	FLS-15-350 0-10 LA	
			FLS-15-500 0-10 LA	FLS-15-350 0-10 LA	
			FLS-20-700 0-10 LA	FLS-25-600 0-10 LA	
		DALI-2	FLS-30-900 0-10 LA	FLS-25-600 0-10 LA	
			FLS-40-1050 0-10 LA	FLS-44-1050 0-10 LA	
			FLS-25-700 DALI-2 LA	FLS-25-700 DALI-2 LA1	
	FLS-40-1050 DALI-2 LA		FLS-40-1050 DALI-2 LA1		
	FLS-60-1400 DALI-2 LA		FLS-60-1400 DALI-2 LA1		
	FLS-25-700 DALI-2 LS		FLS-25-700 DALI-2 LS1		
	Mini	DALI-2	FLS-40-1050 DALI-2 LS	FLS-40-1050 DALI-2 LS1	
			FLS-60-1400 DALI-2 LS	FLS-60-1400 DALI-2 LS1	
			FLS-26-700 DALI-2 LD	FLS-42-1050 DALI-2 LD ADV	
FLS-44-1050 DALI-2 LD			FLS-42-1050 DALI-2 LD ADV		
FSS-60-1400 DALI-2 LD			FSS-60-1400 DALI-2 LD1		
General	Constant Current	Linear	FMS-20-350 N-SELV LD	FMS-20-350 N-S LD EXC	
			FMS-40-350 N-SELV LD	FMS-40-350 N-S LD EXC	
			FMS-60-350 N-SELV LD	FMS-60-350 N-S LD EXC	
			FMS-80-350 N-S LD	FMS-80-350 N-S LD EXC	
			MS-20-350 N-SELV RX	MS-20-350 N-SELV RX1	
			MS-40-XXX N-SELV RX	MS-40-XXX N-SELV RX1	
		High Power Factor	MS-60-XXX N-SELV RX	MS-60-XXX N-SELV RX1	
			LS-8-XXX LI1	LS-8-XXX LI EXC	
			LS-12-XXX LI2	LS-12-XXX LI EXC	
			LS-20-XXX LI4	LS-20-XXX LI EXC	
			LS-40-XXX LI4	LS-40-XXX LI EXC	
			LS-12-XXX RI	LS-12-XXX LI EXC	
		Low Power Factor	LS-16-XXX RI	LS-20-XXX LI EXC	
			LS-20-XXX RI	LS-20-XXX LI EXC	
			LS-30-XXX RI	LS-40-XXX LI EXC	
			LS-40-XXX RI1	LS-40-XXX LI EXC	
			LS-8-XXX MI	LS-8-XXX LI EXC	
			LS-12-XXX MI	LS-12-XXX LI EXC	
			LS-21-XXX MI	LS-20-XXX LI EXC	
			CH-12-XXX IP65 LB	CH-12-XXX IP65 LB1	
			CH-25-XXX IP65 LB	CH-25-XXX IP65 LB1	
			Track	LS-3-XXX SI	LS-3-XXX SI E
				LS-6-XXX SI	LS-6-XXX SI E
				LS-8-XXX SI1	LS-8-XXX SI ECO
	LS-12-XXX SI1	LS-12-XXX SI ECO			
	LS-20-XXX SI	LS-20-XXX SI ECO			
	FDS-21-500 LD1	FDS-21-500 LD2			
	Constant Voltage	Ultrathin	FDS-30-700 LD1	FDS-30-700 LD2	
			FDS-42-1050 LD1	FDS-42-1050 LD2	
			US-30-XX LI	US-30-XX LI1	
			US-60-XX LI	US-60-XX LI1	
		Compact	US-100-XX LI	US-100-XX LI1	
			US-160-XX LI	US-160-XX LI1	
			LS-30-XX LI	LS-30-XX LI EXC	
			LS-60-XX LI	LS-60-XX LI EXC	
			LS-75-XX LI	LS-75-XX LI EXC	
			LS-120-XX LI	LS-120-XX LI EXC	
			LS-150-XX LI	LS-150-XX LI EXC	